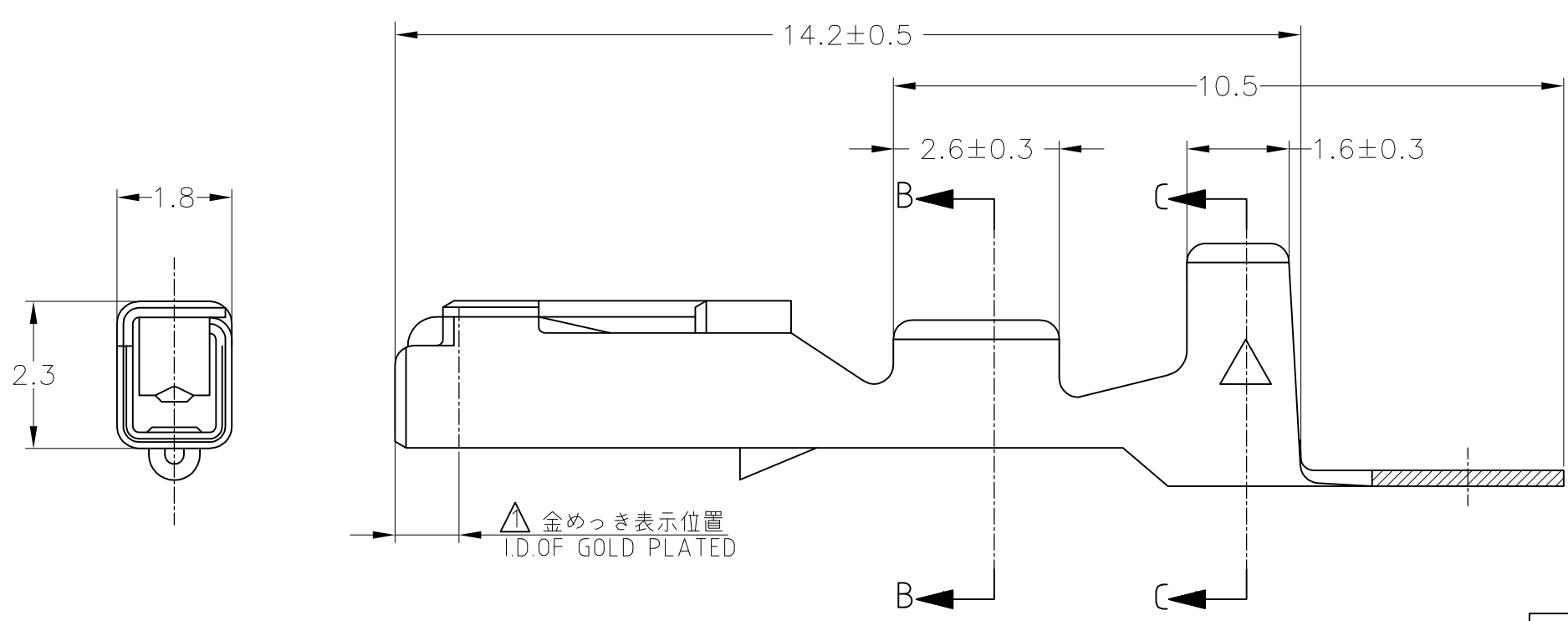
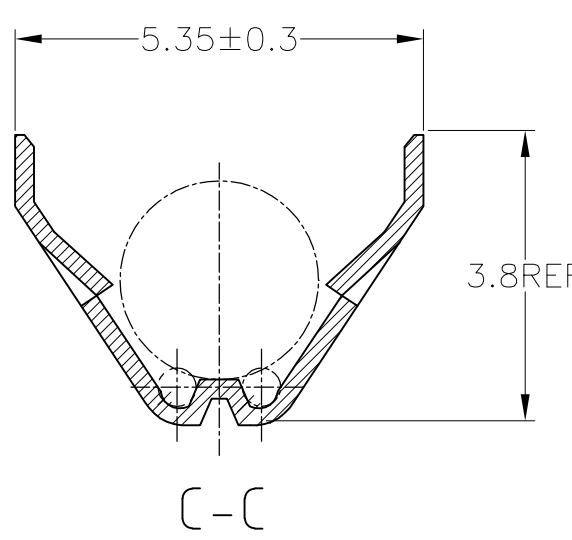
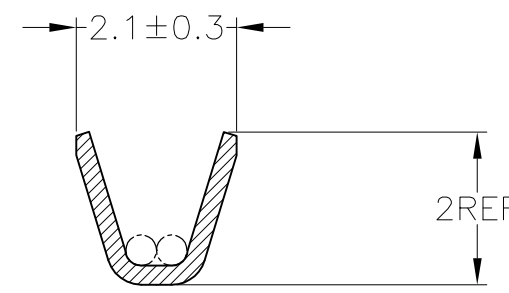
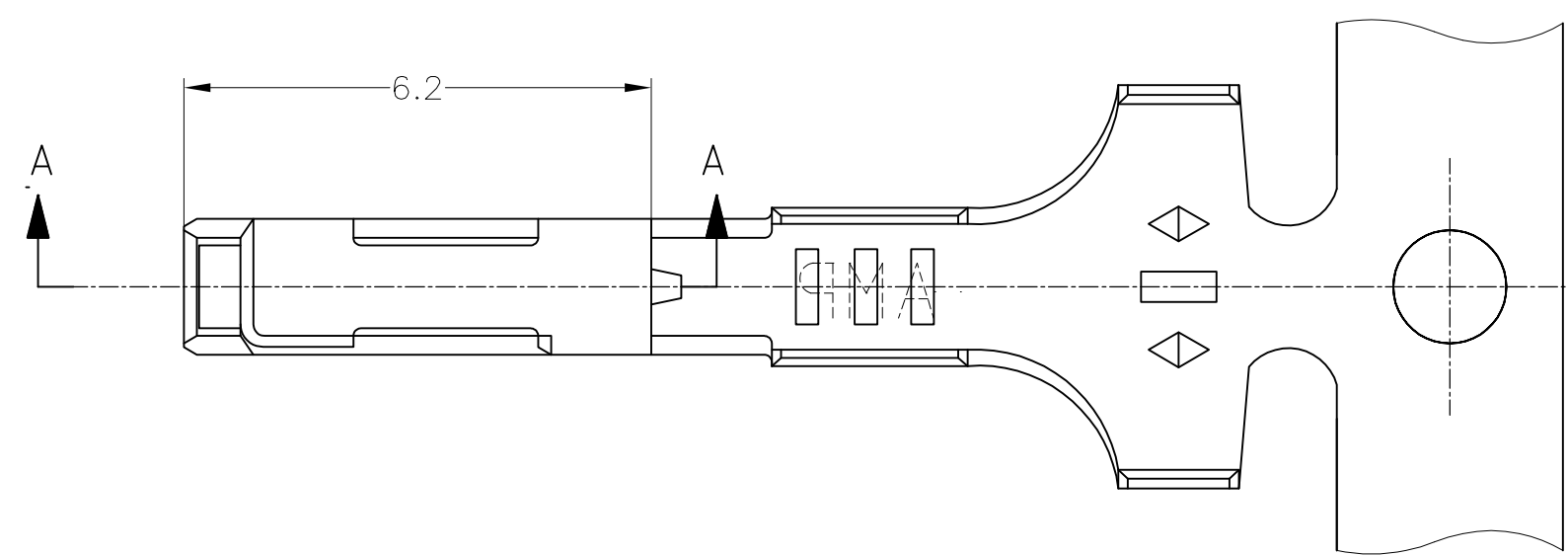


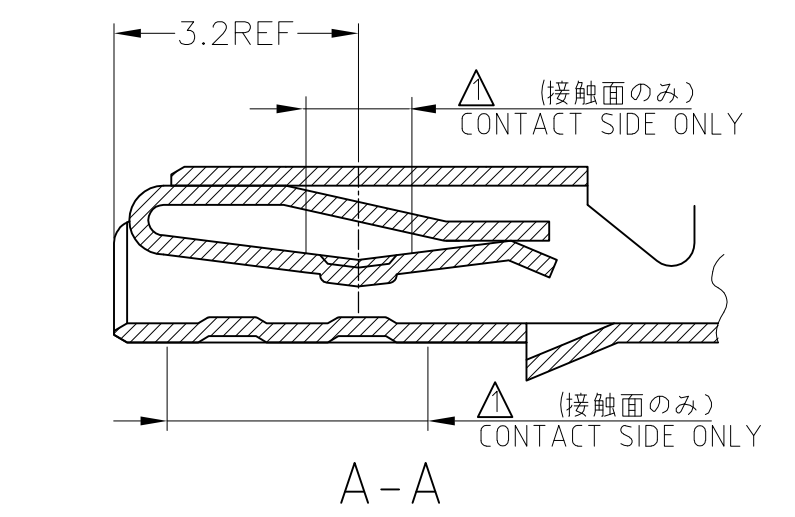
THIS DRAWING IS UNPUBLISHED. RELEASED FOR PUBLICATION  
 © COPYRIGHT - By - ALL RIGHTS RESERVED.

LOC	DIST	REVISIONS					
—	—	P	LTR	DESCRIPTION	DATE	DWN	APVD
		P		REVISED PER ECO-11-005140	28MAR11	RK	HMR



△ SELECTIVE GOLD  
 2. APPLICATION SPEC NO. 114-5111

△ 部分金めっき  
 2. 取付適用規格番号 114-5111



175061-2	SELECTIVE GOLD 部分金めっき	173716-2
175061-1	PRE-TINNED 錫めっき済	173716-1
LOOSE PIECE NO. バラ状端子型番	FINISH 仕上げ	PART NUMBER 製品型番
WIRE RANGE (抱合電線断面積) 0.3~0.5mm <sup>2</sup> (AWG#22~20)		INSULATION DIA. (被覆外径) 1.8~2 mmφ

THIS DRAWING IS A CONTROLLED DOCUMENT.

DIMENSIONS: 単位: 耗 mm

TOLERANCES UNLESS OTHERWISE SPECIFIED: 一般公差

0 PLC	±
1 PLC	±
2 PLC	±
3 PLC	±
4 PLC	±
ANGLES	±

MATERIAL 材料 THICKNESS 板厚 0.25

FINISH 仕上 SEE TABLE 表参照

TOLERANCES UNLESS OTHERWISE SPECIFIED: 一般公差

10 ≥	±0.2
30 ≥	±0.25
100 ≥	±0.3
ANGLE	±3°

DWN M.SUGAWARA 29NOV06  
 CHK K.BETSUI 29NOV06  
 APVD K.BETSUI 29NOV06

NAME 名称  
 PRODUCT SPEC 製品規格  
 APPLICATION SPEC 取付適用規格

STE TE Connectivity

040 SERIES RECEPTACLE CONTACT

SIZE A3 CAGE CODE 00779 DRAWING NO. 番号 G-173716 RESTRICTED TO 番号

WEIGHT 重量 —

CUSTOMER DRAWING SCALE 尺度 10:1 SHEET 1 OF 1 REV P