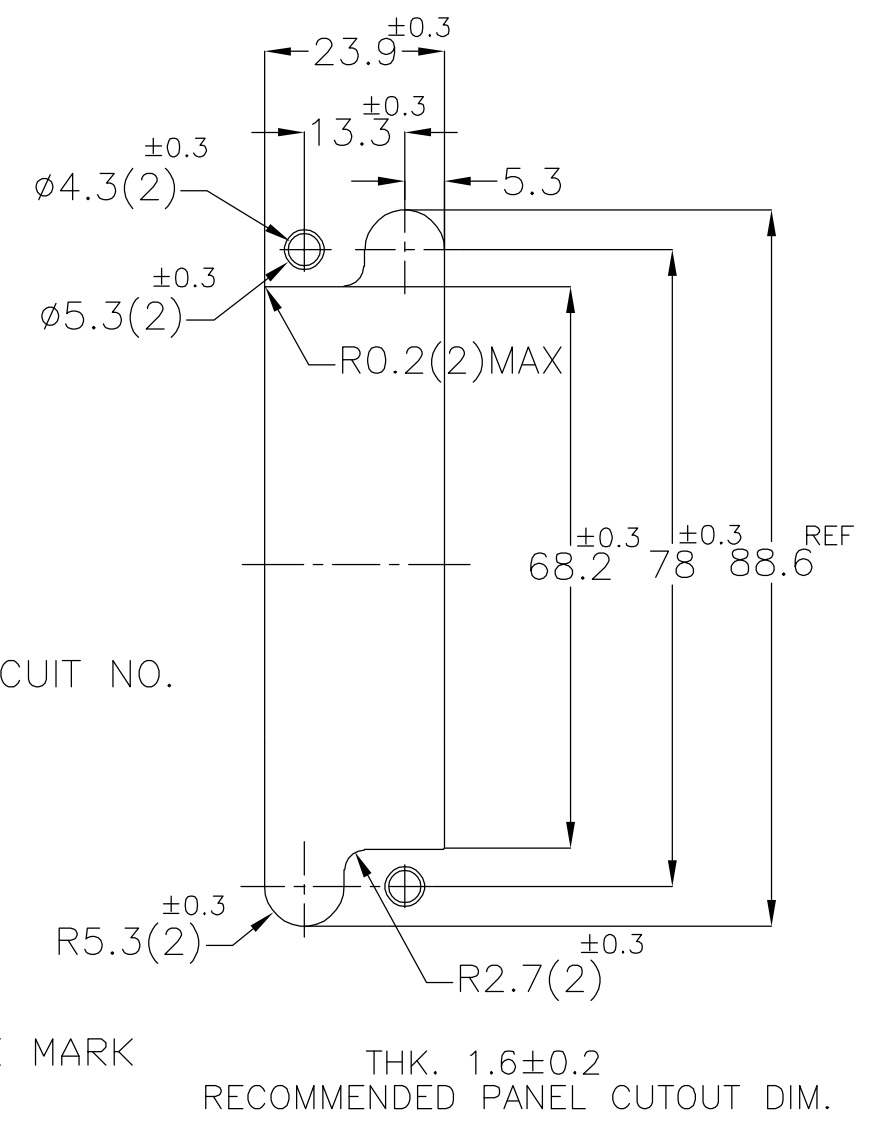
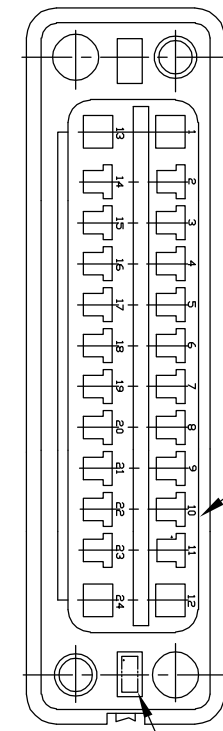
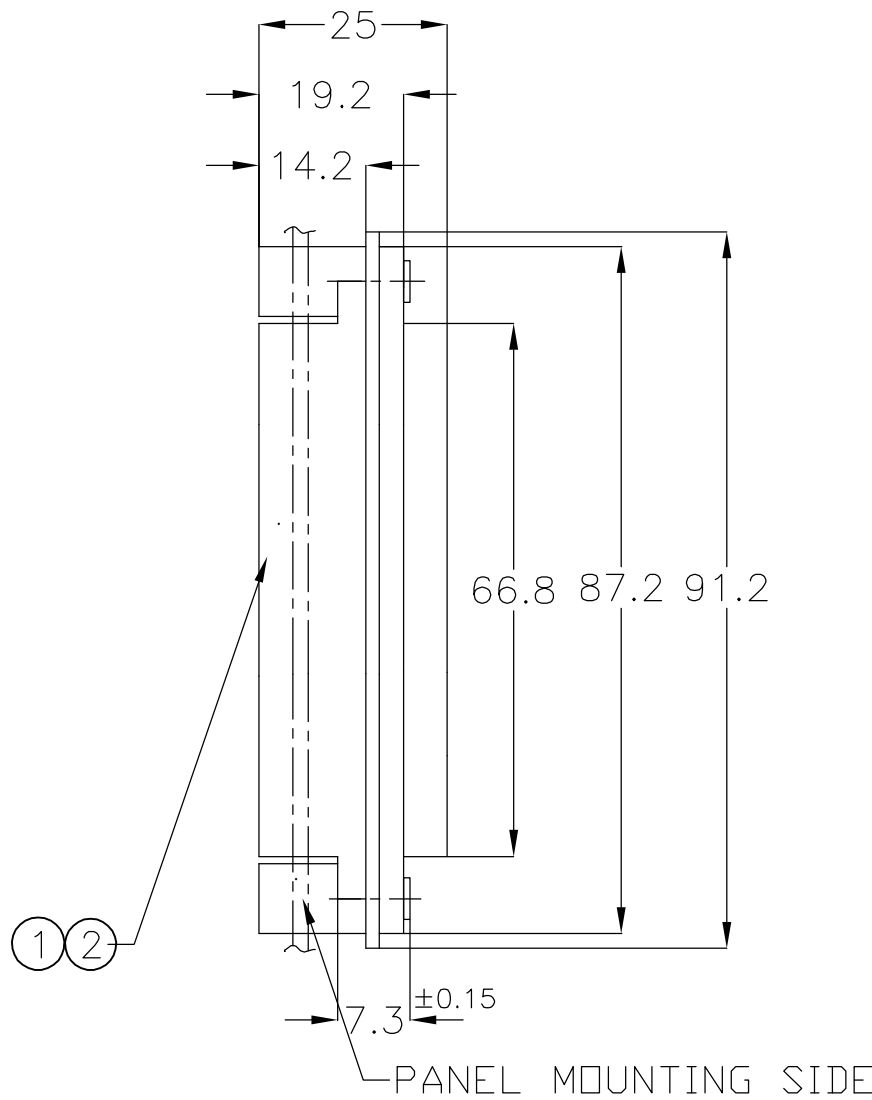
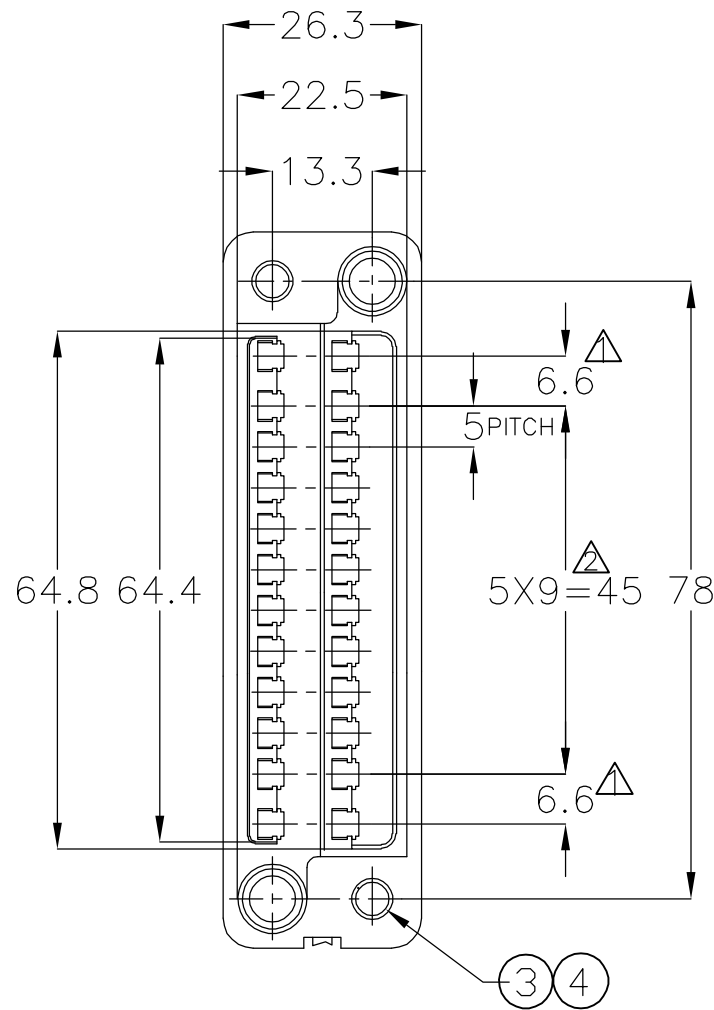


THIS DRAWING IS UNPUBLISHED. RELEASED FOR PUBLICATION
 © COPYRIGHT - BY TYCO ELECTRONICS CORPORATION. ALL RIGHTS RESERVED.

LOC	DIST	REVISIONS					
		P	LTR	DESCRIPTION	DATE	DWN	APVD
J	-	A	RELEASED	ECR-05-009552	26JUL05	C.Z	S.Y



NOTES:
 1. FOR POWER CURCUITS (4POS).
 2. FOR SIGNAL CURCUITS (20POS).
 3. ACCOMOMDATED CONTACTS ARE STRIP P/N 170311, 170312, 170484 L.P P/N 170313, 170314, 170485
 4. MALE HSG P/N IS 172624-1,-3.
 MATERIAL:
 HOUSING: PBT 94V-0
 BUSH: JIS H3250, C3602 BD-F
 FINISH:
 NICKEL PLATED PER AMP SPEC 112-25.

REV	NO	DESCRIPTION	DATE	BY	CHK	REMARKS
2	-	1-172065-3				(4mm) 4
-	2	1-172065-1				FLOATING BUSH ASS'Y (3mm) 3
1	-	172626-3				24 POS. (4mm) 2
-	1	172626-1				24P DRAWER CONN.FEMAIL HSG 24 POS. (3mm) 1
-3	-1	NUMBER				NAME REMARKS ITEM No.

THIS DRAWING IS A CONTROLLED DOCUMENT.		DWN	C.ZHU	25JUL05	Tyco Electronics AMP K.K. Kawasaki, Japan		
DIMENSIONS: mm		CHK	I.WANG	26JUL05			
TOLERANCES UNLESS OTHERWISE SPECIFIED:		APVD	S.YAO	26JUL05	NAME		
0 PLC ± 0.4 1 PLC ± 0.4 2 PLC ± 0.4 3 PLC ± 0.4 4 PLC ± 0.4 ANGLES ± -		PRODUCT SPEC		24POS. FEMALE HSG ASS'Y DRAWER CONN.			
MATERIAL		APPLICATION SPEC		SIZE			RESTRICTED TO
FINISH		WEIGHT		CAGE CODE		REVISION	
		CUSTOMER DRAWING		DRAWING NO		SCALE	
				A3 00779		1 OF 1	
				G=5172625		REV	
						A	