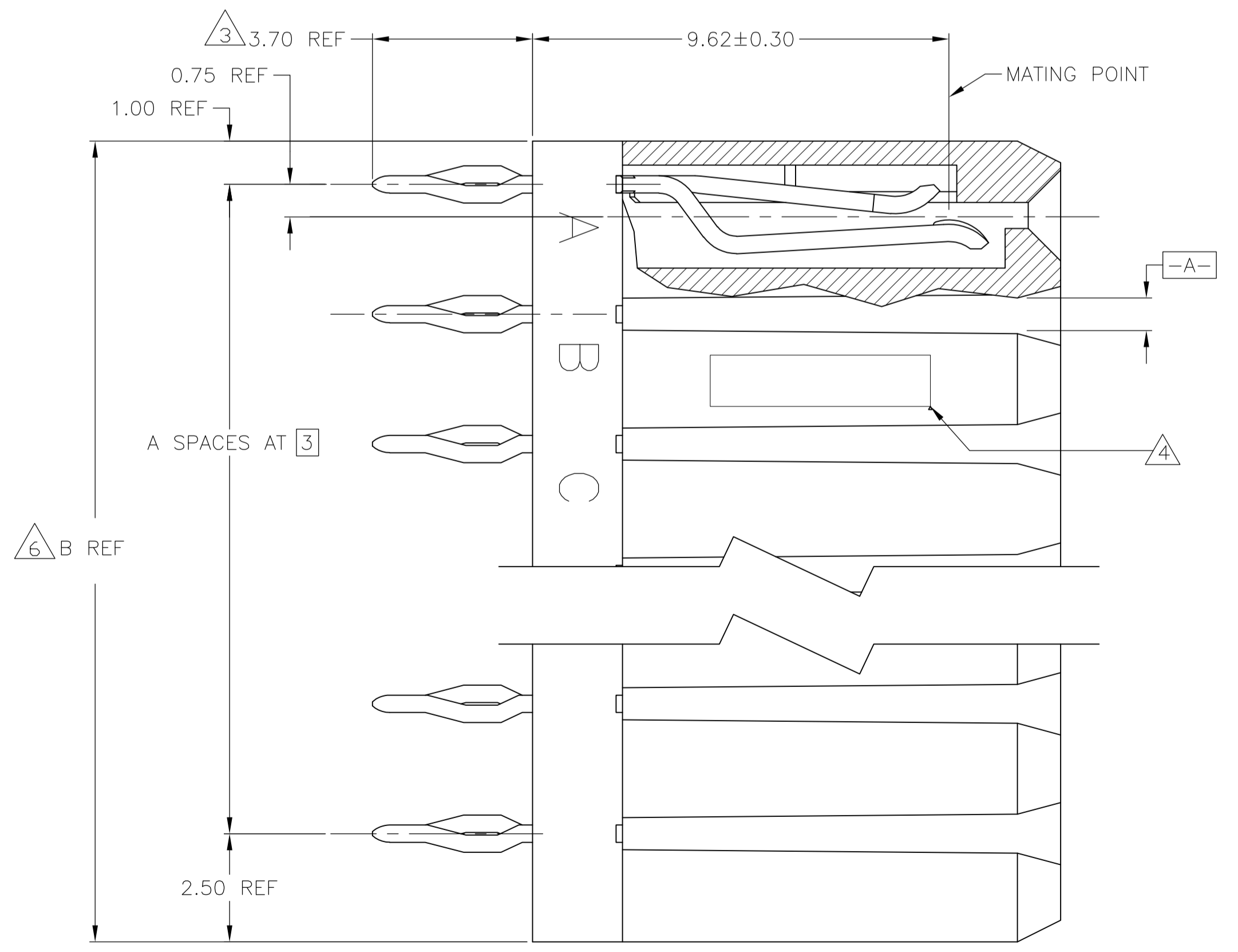
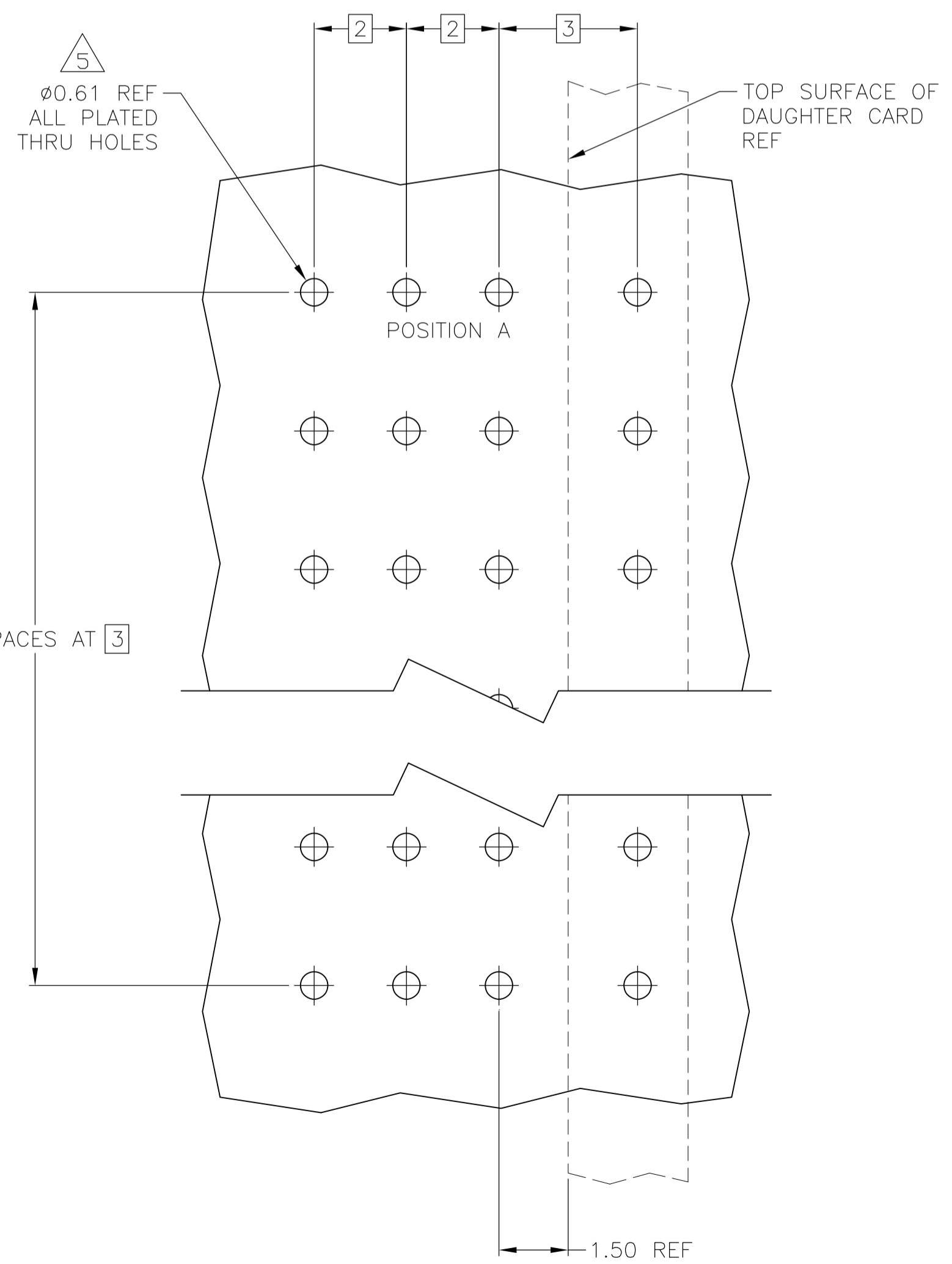
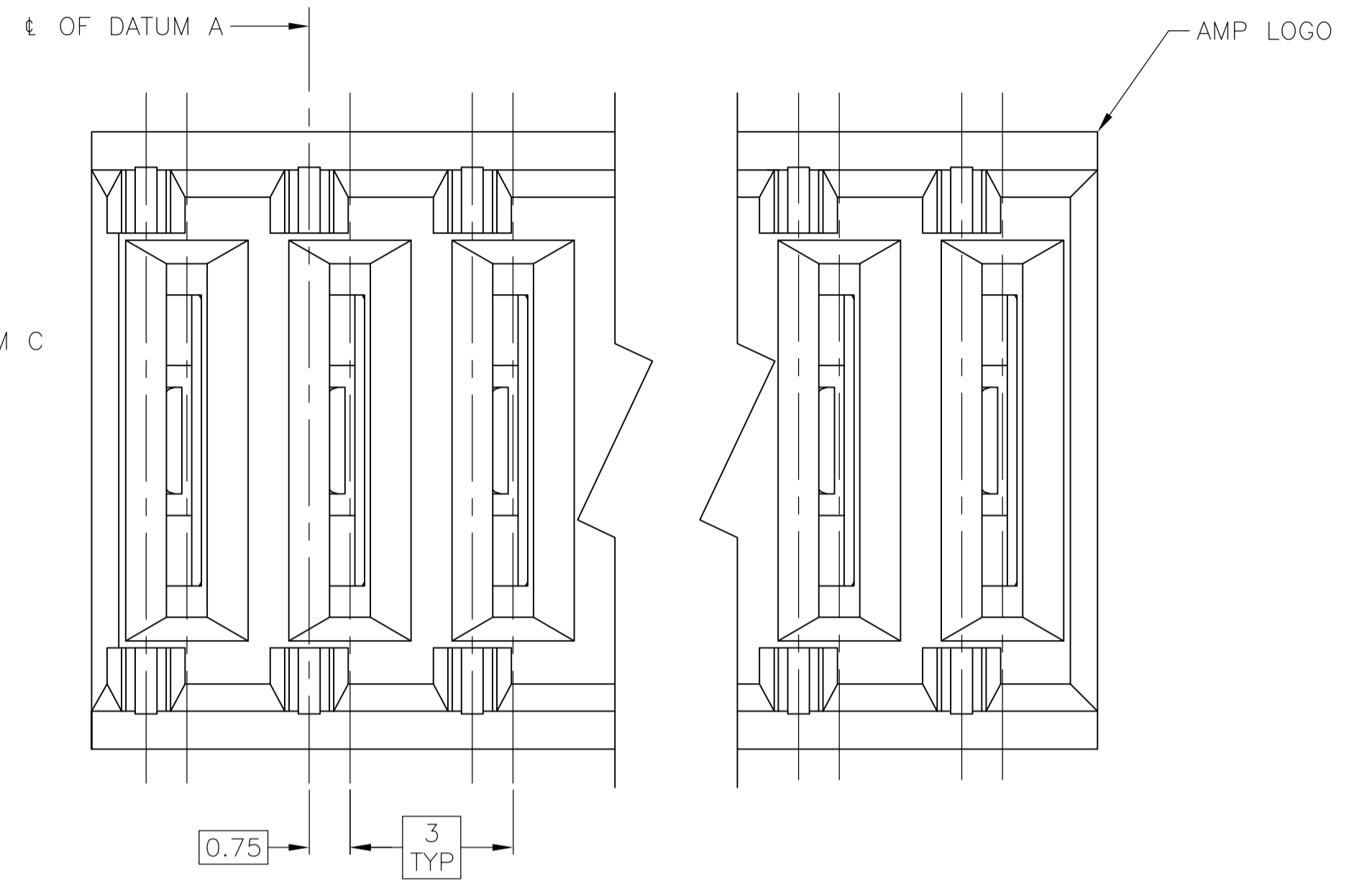
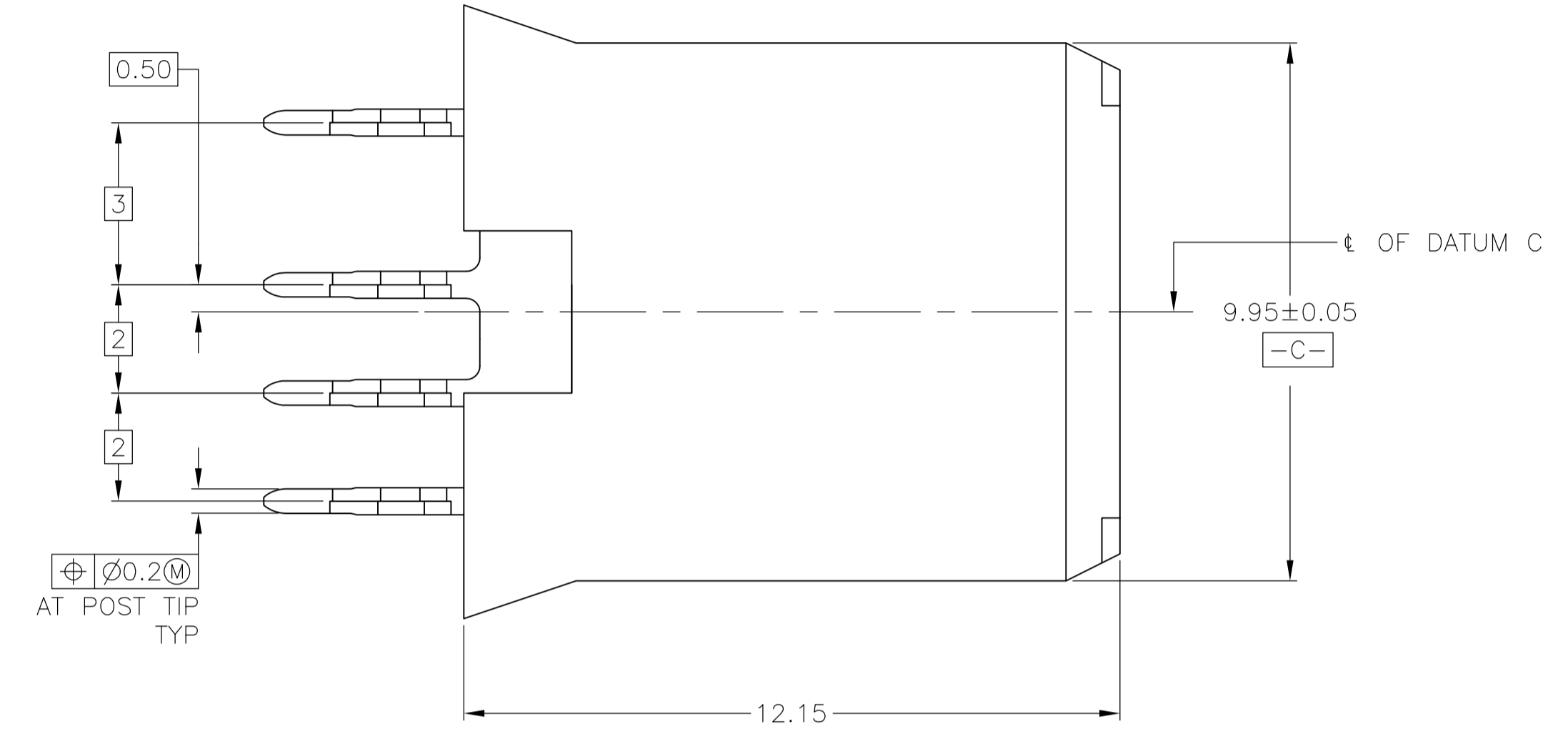
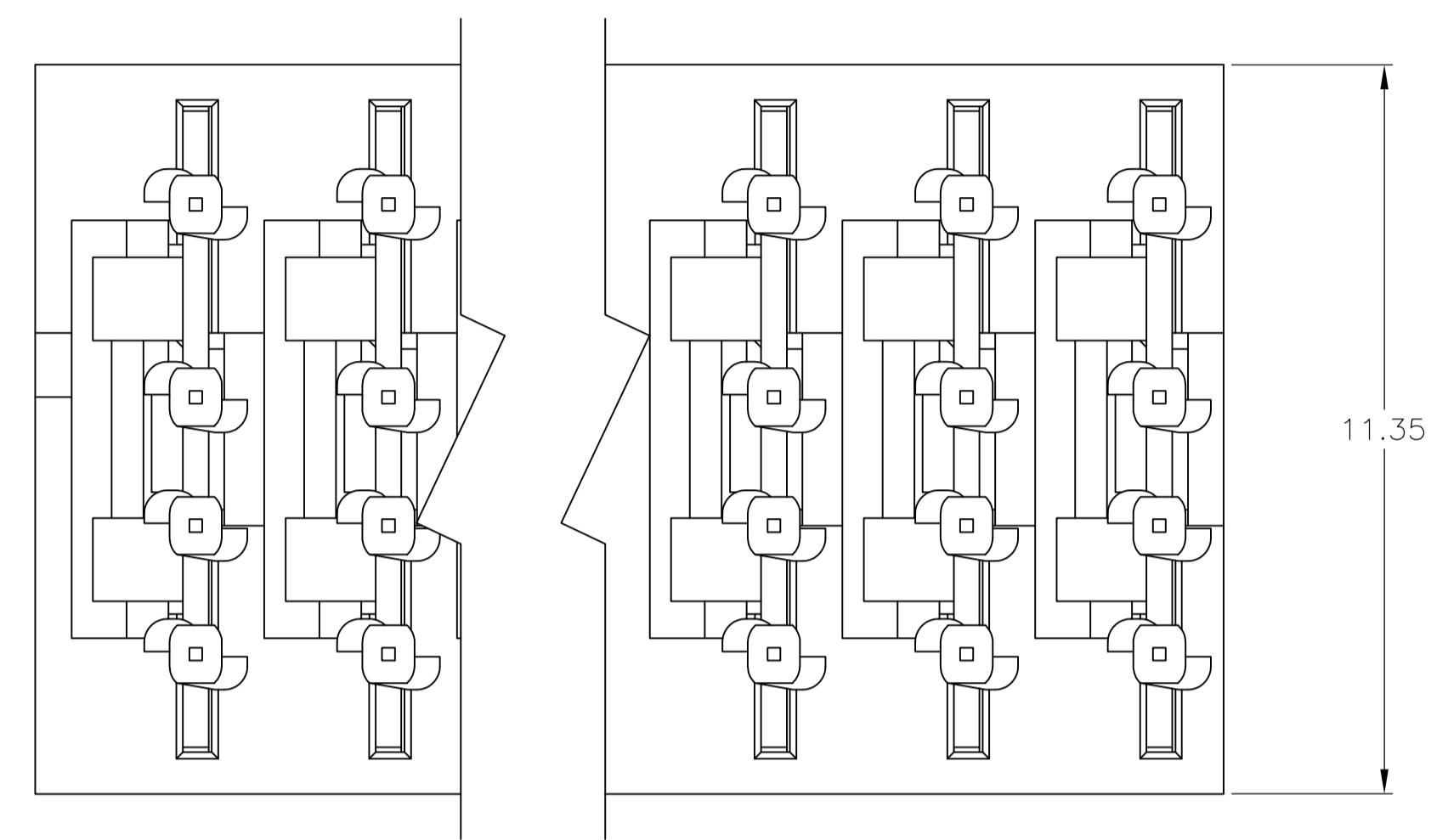


LOC		DIST		REVISIONS			
P	LTR	DESCRIPTION	DATE	DNW	APVD		
P		REVISED PER ECO-11-004835	11MAR11	RK	HMR		

- 1 MATERIAL: HOUSING : POLYESTER, COLOR, GRAY. UL 94V-0. CONTACT: PHOSPHOR BRONZE.
- 2 FINISH: CONTACT MATING AREA: 1.27um MINIMUM GOLD OR 0.08um MIN GOLD OVER 0.76um MIN PALLADIUM-NICKEL. ACTION PIN AREA, 0.5um MINIMUM TIN PLATE, ALL OVER 1.27um MINIMUM NICKEL UNDERPLATE.
- 3 TOLERANCE TO BE ±0.28 AFTER CONNECTOR IS APPLIED TO PC BOARD.
- 4 DATE CODE THIS APPROXIMATE AREA, OPPOSITE SIDE.
- 5 REFERENCE APPLICATION SPEC 114-1103 FOR RECOMMENDED PLATED THRU HOLE DIAMETER AND PLATING THICKNESS.
- 6 TOLERANCE TO BE +0.5/-0.1 BEFORE CONNECTOR IS APPLIED TO PC BOARD.
- 7 CURRENT RATING 10A/CONTACT PER PRODUCT SPEC 108-1651.



RECOMMENDED PCB HOLE LAYOUT

POSITION	B REF	A	PART NUMBER
12	36.5	11	5223995-9
11	33.5	10	5223995-8
10	30.5	9	5223995-7
9	27.5	8	5223995-6
8	24.5	7	5223995-5
7	21.5	6	5223995-4
6	18.5	5	5223995-3
5	15.5	4	5223995-2
4	12.5	3	5223995-1

THIS DRAWING IS A CONTROLLED DOCUMENT.

DIMENSIONS: mm	TOLERANCES UNLESS OTHERWISE SPECIFIED:	DIN B. CARDO 14DEC04	DRW
0 PLC ± -	1 PLC ± -	CHK R. PATTERSON 14DEC04	APP'D
2 PLC ± 0.13	3 PLC ± -	APP'D R. PATTERSON 14DEC04	NAME
4 PLC ± -	ANGLES ± -	PRODUCT SPEC	
MATERIAL 1	FINISH 2	APPLICATION SPEC	
		WEIGHT	
		SIZE	
		CAGE CODE	
		DRAWING NO	
		RESTRICTED TO	
		SCALE	
		SHEET	
		REV	

CUSTOMER DRAWING