

4

3

2

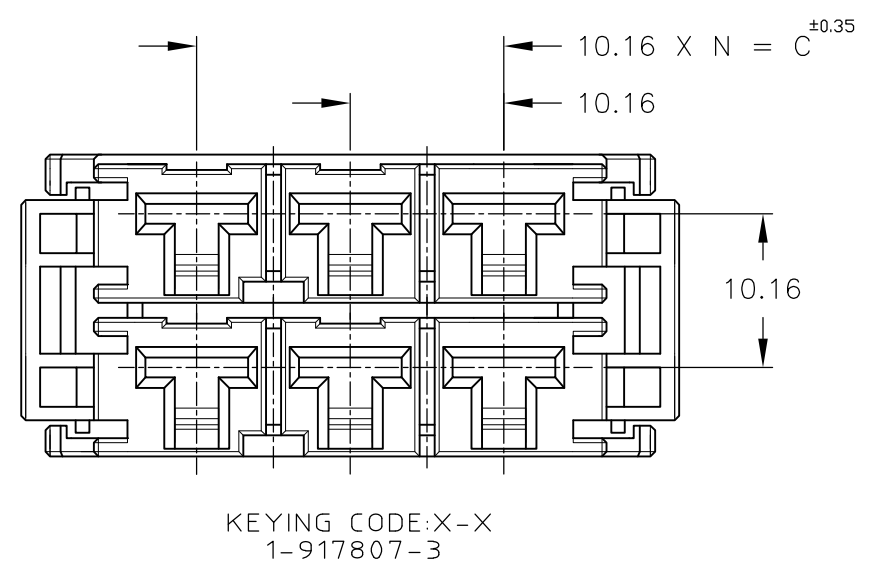
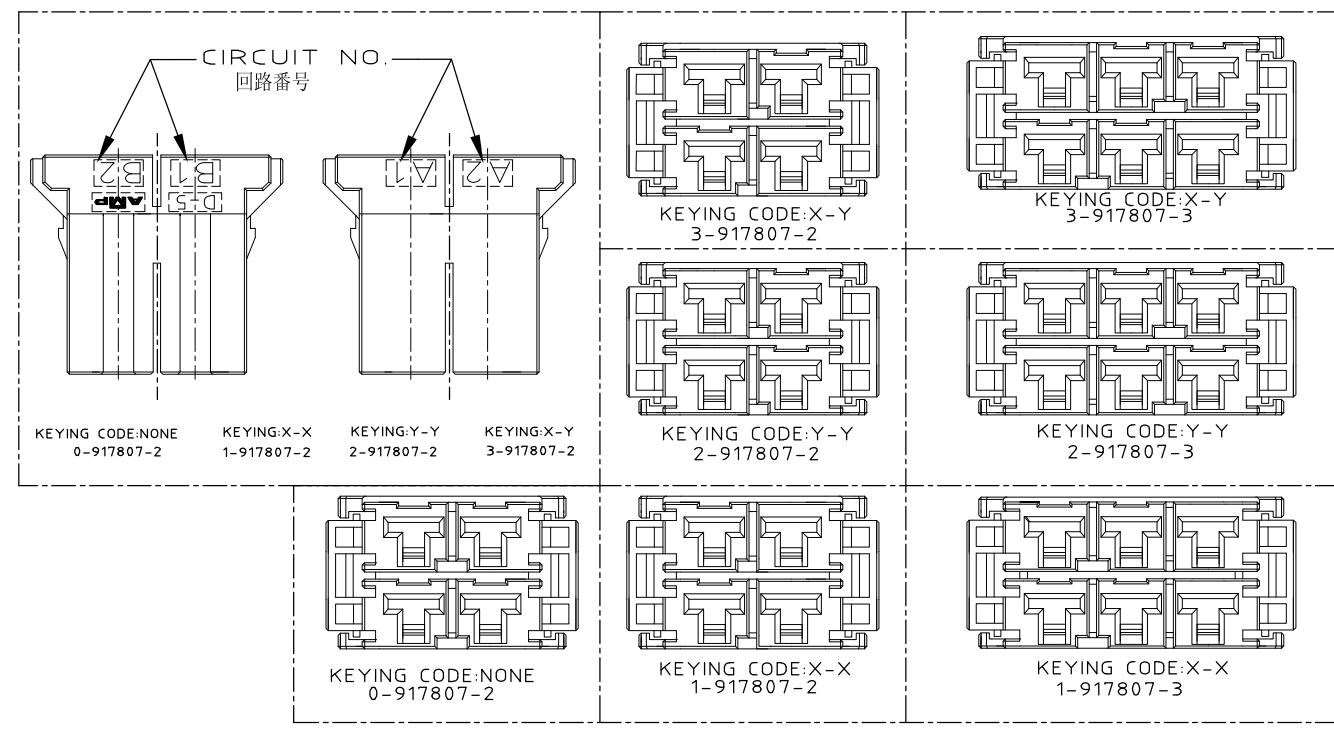
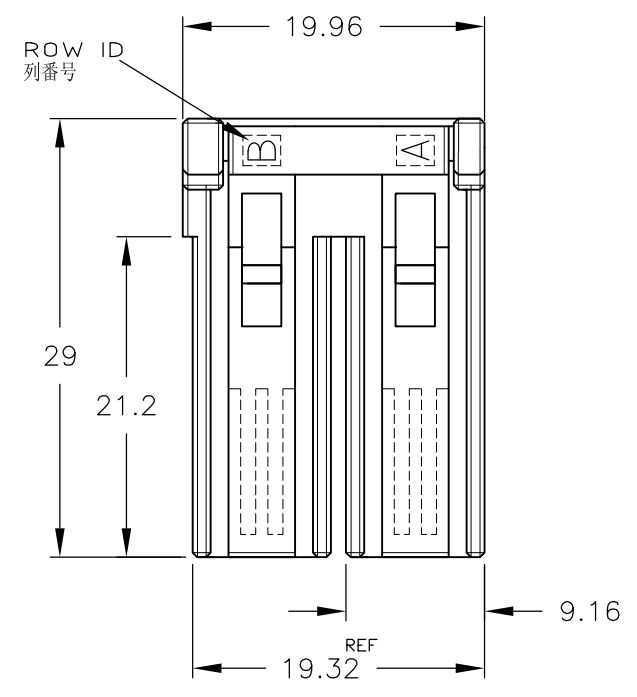
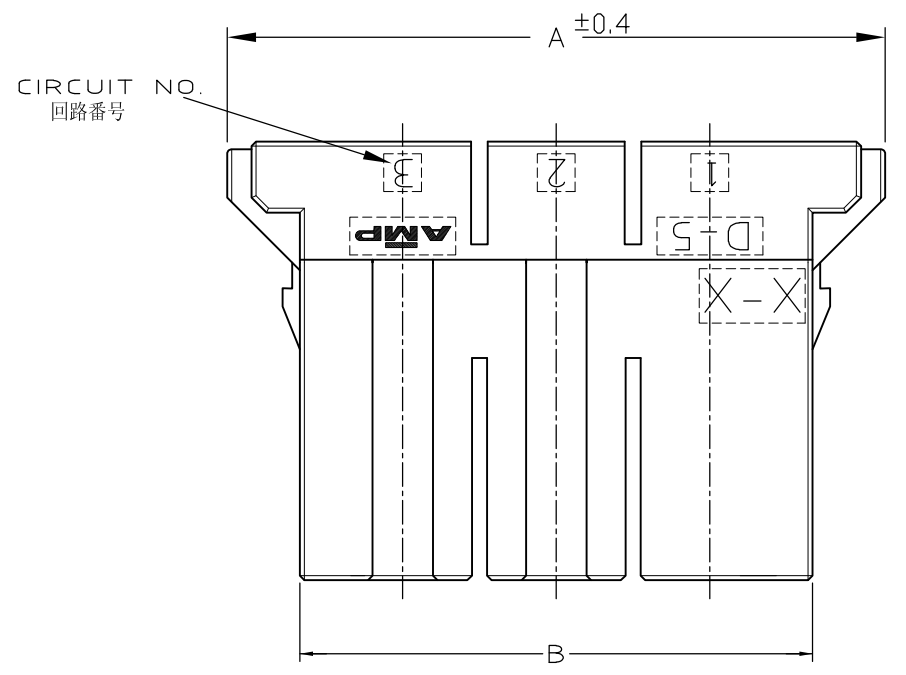
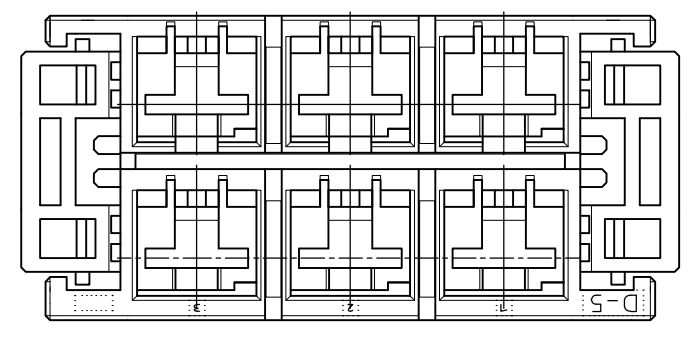
1

THIS DRAWING IS UNPUBLISHED. RELEASED FOR PUBLICATION, 1995. ALL RIGHTS RESERVED.

© COPYRIGHT 1995

LOC		DIST		REVISIONS			DATE	DWN	APVD
				変更					
P	LTR	DESCRIPTION							
		C3	REVISED PER ECO-11-005030			11MAR11	RK	HMR	

注記
 ① 材料 ハウジングガラス入り熱可塑性
 ポリエステル樹脂(94V-0),色 黒
 ② ~~ハウジング全面にテフロン塗装のこと~~
 NOTES
 ① MATERIAL:HOUSING:GLASS FILED THERMO PLASTIC
 ,POLYESTER(94V-0),COLOR:BLACK
 ② ~~TO COAT ALL SURFACE OF HOUSING WITH TEFLON~~



OBSOLETE	①										5-917807-3
											3-917807-3
											2-917807-3
						20.32	33.92	43.52	2	6	1-917807-3
OBSOLETE	②										6-917807-2
OBSOLETE	③										5-917807-2
											3-917807-2
											2-917807-2
											1-917807-2
						10.16	23.76	33.36	1	4	0-917807-2
FINISH		C	B	A	N	POS	P/N				
WIRE RANGE 抱合電線断面積						INSULATION DIA 被覆外径					

DIMENSIONS: 単位 耗 mm		TOLERANCES UNLESS OTHERWISE SPECIFIED 一般公差		DWN K.IKEDA 31/OCT/'95 CHK Y.ISHIKAWA 31/OCT/'95 APVD S.MANABE 1/NOV/'95		NAME 名称		2列リセハウジング				
		10: ±0.2 30: >10 ±0.25 100: >30 ±0.3 ANGLE: ±0.3'		PRODUCT SPEC 製品規格 108-5453		DOUBLE ROW REC HSG <DYNAMIC D-5200 M>						
MATERIAL 材料		FINISH 仕上		APPLICATION SPEC 取付適用規格 114-5206		DRAWING NO 番号		917807				
				WEIGHT T1		SIZE A3		CAGE CODE 00779		SCALE 尺度	SHEET 1 OF 1	REV C3
CUSTOMER DRAWING												

