

**Industrial Ethernet
IE-FCM-RJ45-C**

Weidmüller Interface GmbH & Co. KG
Klingenbergstraße 16
D-32758 Detmold
Germany
Fon: +49 5231 14-0
Fax: +49 5231 14-292083
www.weidmueller.com



Service interface FrontCom[®] Micro with RJ45 in IP65

General ordering data

Type	IE-FCM-RJ45-C
Order No.	1018790000
Version	FrontCom Micro RJ45 coupling
GTIN (EAN)	4032248730056
Qty.	10 pc(s).

**Industrial Ethernet
IE-FCM-RJ45-C**

Weidmüller Interface GmbH & Co. KG
 Klingenbergstraße 16
 D-32758 Detmold
 Germany
 Fon: +49 5231 14-0
 Fax: +49 5231 14-292083
 www.weidmueller.com

Technische Daten

Dimensions and weights

Wall thickness, max.	3 mm	Wall thickness, min.	1 mm
Net weight	36.7 g		

Temperatures

Operating temperature	-40 °C...70 °C	Storage temperature	
Installation temperature			

Downloads

UL Approval	DUXR.E316369.pdf
-------------	------------------

General data

Category	Cat.6 _A / Class E _A (ISO/IEC 11801 2010)	Colour	Black
Connection 1	RJ45	Connection 2	RJ45
Contact surface	Gold over nickel	Description of article	FrontCom Micro RJ45 coupling
Housing main material	PA UL 94 V0	Plugging cycles	750
Protection degree	IP 65 according to DIN EN 60529	Shielding	360° shield contact
Type of mounting	Cabinet, Distribution box		

Electrical properties

PoE / PoE+	conforming to IEEE 802.3af
------------	----------------------------

Standards

Connector standard	IEC 60603-7-5 1	Certificate no. (cULus)	E316369
--------------------	-----------------	-------------------------	---------

Classifications

ETIM 3.0	EC001134	eClass 5.1	27-25-05-04
eClass 6.2	27-25-05-04	eClass 7.1	27-25-05-04

Approvals

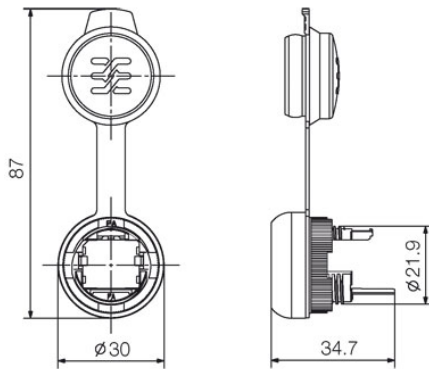
Approvals



ROHS	Conform
------	---------

**Industrial Ethernet
IE-FCM-RJ45-C**

Weidmüller Interface GmbH & Co. KG
Klingenbergstraße 16
D-32758 Detmold
Germany
Fon: +49 5231 14-0
Fax: +49 5231 14-292083
www.weidmueller.com

Zeichnungen**Dimensioned drawing****Installation cut-out**