

ENCLOSURE FOR 22MM PROGRAM METAL VERSION 1  
COMMAND POSITION YELLOW TOP PART WITH PROTECTIVE  
COLLAR A=EMER.-STOP40MM ROT.-TO-UNLAT. 2NC

Enclosure:	
Design of the housing	Enclosure for command and signaling devices with standard equipment
Shape of the enclosure front	Square
Material of the enclosure	metal
Number of control points	1
Product component	
• protective collar	Yes
Color	
• of top part of the enclosure	yellow
Delivery state	
• as a kit	No
• pre-wired on strip terminal	No
Mounting type of the enclosure	Vertical / horizontal
Actuator:	
Design of the operating mechanism	Emergency stop mushroom pushbutton
Product feature	
• lockout	No
Product expansion optional Light source	No
Color	
• of the actuating element	Red
Material of the actuating element	metal
Type of unlocking device	rotate-to-unlatch mechanism
Front ring:	

<b>Product component front ring</b>	No
<b>Holder:</b>	
<b>Material of the holder</b>	Metal
<b>Contact block/ lampholder:</b>	
<b>Number of lampholders</b>	0
<b>Number of switching elements</b>	1
<b>General technical data:</b>	
<b>Product function</b>	
• positive opening	Yes
• EMERGENCY OFF function	Yes
• EMERGENCY STOP function	Yes
<b>Product component</b>	
• Light source	No
• Stand/pedestal	No
<b>Type of voltage</b>	
• of the operating voltage	AC/DC
<b>Vibration resistance</b>	
• acc. to IEC 60068-2-6	20 ... 200 Hz: 5g
<b>Protection class IP</b>	IP67
<b>Equipment marking</b>	
• acc. to DIN 40719 extended according to IEC 204-2 acc. to IEC 750	S
• acc. to DIN EN 61346-2	S
• acc. to DIN EN 81346-2	S
<b>Operating voltage</b>	
• with AC	
— at 50 Hz Rated value	5 ... 400 V
— at 60 Hz Rated value	5 ... 300 V
• for DC Rated value	
— maximum	230 V
— minimum	5 V
<b>Operating voltage 1</b>	
• with AC	
— at 50 Hz Rated value	400 V
— at 60 Hz Rated value	300 V
• for DC Rated value	230 V
<b>Auxiliary circuit:</b>	
<b>Number of NC contacts</b>	
• for auxiliary contacts	2
<b>Number of NO contacts</b>	
• for auxiliary contacts	0

<b>Number of CO contacts</b>	
• for auxiliary contacts	0
<b>Operating current at AC-12</b>	
• at 24 V Rated value	10 A
• at 48 V Rated value	10 A
• at 110 V Rated value	10 A
• at 230 V Rated value	10 A
• at 400 V Rated value	10 A
<b>Operating current at AC-15</b>	
• at 230 V Rated value	6 A
• at 400 V Rated value	3 A

#### Connections/ Terminals:

<b>Type of electrical connection on enclosure</b>	Cable routing above, below / left, right, each 1 x M20
---	--

#### Safety related data:

<b>B10 value with high demand rate acc. to SN 31920</b>	100 000
<b>Proportion of dangerous failures</b>	
• with low demand rate acc. to SN 31920	20 %
• with high demand rate acc. to SN 31920	20 %
<b>T1 value for proof test interval or service life acc. to IEC 61508</b>	20 y

#### Ambient conditions:

<b>Ambient temperature</b>	
• during operation	-25 ... +70 °C
• during storage	-40 ... +80 °C

#### Installation/ mounting/ dimensions:

<b>Mounting type</b>	
• of contact blocks, socket, and accessories	Floor mounting
<b>Height</b>	85 mm
<b>Width</b>	85 mm
<b>Depth</b>	114 mm
<b>Shape of the installation opening</b>	round
<b>Mounting diameter</b>	22 mm

#### Accessories:

<b>Number of labels</b>	0
<b>Number of backing plates</b>	0
<b>Product component holder for 3 switching elements</b>	No

#### Certificates/ approvals:

General Product Approval	Declaration of Conformity	Test Certificates	Shipping Approval
--------------------------	---------------------------	-------------------	-------------------



[Special Test Certificate](#)



Shipping Approval	other
-------------------	-------



LRS



PRS

[Confirmation](#)

[Environmental Confirmations](#)

### Further information

**Information- and Downloadcenter (Catalogs, Brochures,...)**

<http://www.siemens.com/industrial-controls/catalogs>

**Industry Mall (Online ordering system)**

<http://www.siemens.com/industrymall>

**Cax online generator**

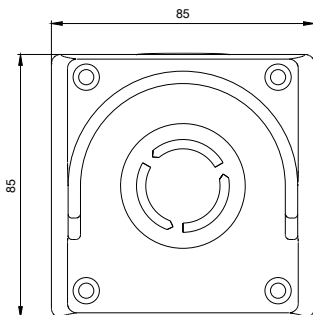
<http://support.automation.siemens.com/WW/CAXorder/default.aspx?lang=en&mlfb=3SB38012EF3>

**Service&Support (Manuals, Certificates, Characteristics, FAQs,...)**

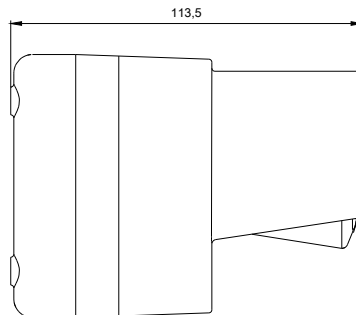
<https://support.industry.siemens.com/cs/ww/en/ps/3SB38012EF3>

**Image database (product images, 2D dimension drawings, 3D models, device circuit diagrams, EPLAN macros, ...)**

[http://www.automation.siemens.com/bilddb/cax\\_de.aspx?mlfb=3SB38012EF3&lang=en](http://www.automation.siemens.com/bilddb/cax_de.aspx?mlfb=3SB38012EF3&lang=en)



last modified:



28.04.2015