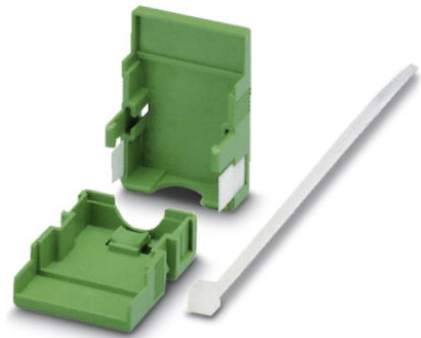



KGG-MC 1,5/ 4

Order No.: 1834369



Cable housing, Pitch: 0 mm, Number of positions: 4, Dimension a: 17.63 mm, Color: green

| Commercial data | |
|--------------------------|---|
| GTIN (EAN) |  4 017918 051884 |
| sales group | E191 |
| Pack | 10 pcs. |
| Customs tariff | 85472000 |
| Catalog page information | Page 228 (CC-2011) |

Product notes

WEEE/RoHS-compliant since: 01/01/2003



<http://www.download.phoenixcontact.com>
 Please note that the data given here has been taken from the online catalog. For comprehensive information and data, please refer to the user documentation. The General Terms and Conditions of Use apply to Internet downloads.

Accessories

| Item | Designation | Description |
|----------------|------------------|---|
| Marking | | |
| 1007248 | SBS10:UNBEDRUCKT | Marker cards, unprinted, for individual labeling with the M-PEN, 250-section, perforated, white plastic |

Diagrams/Drawings

Dimensioned drawing

