



22MM PLASTIC ROUND COMPLETE UNIT  
 COMBINATION: SELECTOR SWITCH MOMENTARY  
 CONTACT TYPE 3 SWITCH POSITIONS I-O-II NON-  
 ILLUMINATED SCREW TERMINAL,  
 2X1NO+1NC WITH HOLDER BLACK

Actuator:	
Design of the product	Complete unit round
Design of the operating mechanism	selector switch
Functionality / of the actuator	Momentary contact type
Type of unlocking device	rotate-to-unlatch mechanism
Color / of the activation element	black
Material / of the activation element	plastic
Number of switching positions	3
Product component / front ring	Yes
Material / of the front ring	plastic
Color / of the front ring	black
Design of the front ring	Standard
Product function / EMERGENCY STOP function	No

Holder:	
Material / of the holder	Plastic

Contact block/ lampholder:	
Design of the electrical connection	screw-type terminals
Number of switching elements	2
Number of NC contacts / for auxiliary contacts	2

Number of NO contacts / for auxiliary contacts	2
Number of changeover contacts / for auxiliary contacts	0
Product function / positive opening	Yes
Number of lampholders	0
Product component / fluorescent materials	No
Product extension / optional / fluorescent materials	Yes

#### Accessories:

Product component / holder for 3 switching elements

No

#### General technical data:

Voltage type / of operating voltage		AC/DC
Operating voltage / rated value		
• minimum	V	5
• maximum	V	400
Operating current		
• at AC-12		
• at 24 V / rated value	A	10
• at 48 V / rated value	A	10
• at 110 V / rated value	A	10
• at 230 V / rated value	A	10
• at 400 V / rated value	A	10
• at AC-15		
• at 24 V / rated value	A	6
• at 48 V / rated value	A	6
• at 110 V / rated value	A	6
• at 230 V / rated value	A	6
• at 400 V / rated value	A	3
• at DC-12		
• at 24 V / rated value	A	10
• at 48 V / rated value	A	5
• at 110 V / rated value	A	2.5
• at 230 V / rated value	A	1
• at DC-13		
• at 24 V / rated value	A	3
• at 48 V / rated value	A	1.5
• at 110 V / rated value	A	0.7
• at 230 V / rated value	A	0.3
Resistance against shock		
• for devices without incandescent lamp / according to IEC 60068-2-27		<= 50g

Resistance against vibration / according to IEC 60068-2-6		20 ... 200 Hz: 5g
Operating cycles / maximum	1/h	1,000
Mechanical operating cycles as operating time / typical		300,000
Reference code		S
<ul style="list-style-type: none"> <li>• according to DIN EN 61346-2</li> <li>• according to DIN 40719 extended according to IEC 204-2 / according to IEC 750</li> </ul>		S
Tightening torque / of the screws in the bracket / maximum	N-m	1
Ambient temperature		
<ul style="list-style-type: none"> <li>• during operating</li> <li>• during storage</li> </ul>	°C	-25 ... +70
	°C	-40 ... +80
Protection class IP		IP66
climatic class / during the operating phase / according to EN 60721		3K6
Mounting type		front mounting
Shape / of the installation hole		round
Installation width	mm	28.5
Mounting diameter	mm	22
Mounting height	mm	24
Mounting depth	mm	63

#### Certificates/ approvals:

##### General Product Approval



[Special Test Certificate](#)

##### Shipping Approval



##### other

[Confirmation](#)

[other](#)

[Environmental Confirmations](#)

#### Further information:

##### Information- and Downloadcenter (Catalogs, Brochures,...)

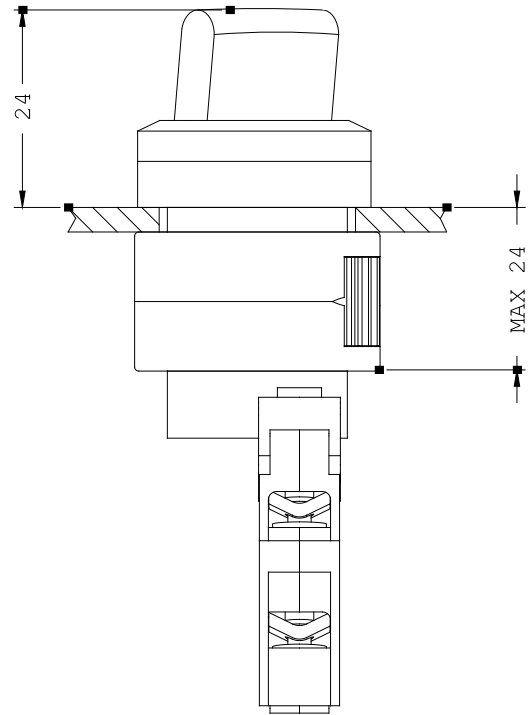
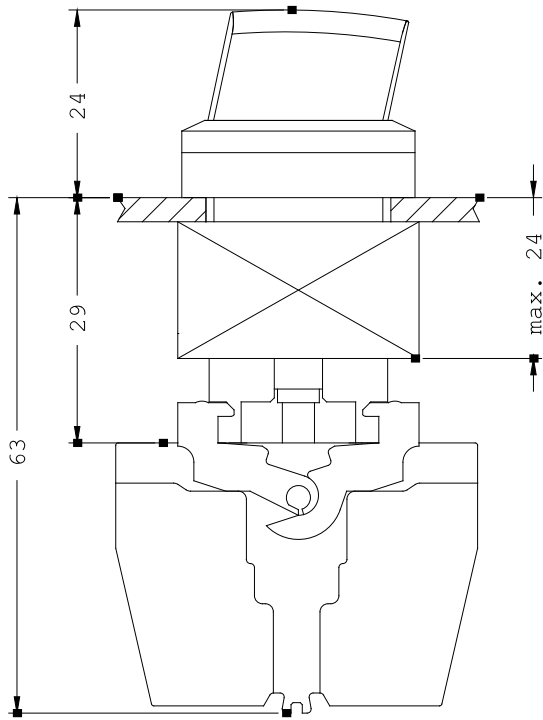
<http://www.siemens.com/industrial-controls/catalogs>

##### Industry Mall (Online ordering system)

<http://www.siemens.com/industrial-controls/mall>

##### Cax online generator

<http://www.siemens.com/cax>



last change:

Jul 7, 2014