

Enclosures for SIRIUS 3RV1

For installing circuit breakers of sizes S00 ($I_{n\max} = 12\text{ A}$) S0 ($I_{n\max} = 25\text{ A}$) and S2 ($I_{n\max} = 50\text{ A}$) as a single unit, moulded-plastic and cast aluminium enclosures for surface mounting and moulded-plastic enclosures for flush mounting are available in various dimensions.

When installed in a moulded-plastic enclosure the circuit-breakers have a rated operational voltage U_e of 500 V.

The enclosures for surface mounting have the degree of protection IP55; the enclosures for flush mounting also comply with the degree of protection IP55 at the front (the flush-mounted section complies with IP20).

All enclosures are equipped with N and PE/ground terminals. There are two knock-out cable entries for cable glands at the top and two at the bottom; also on the rear corresponding cable entries are scored. There is a knockout on the top of the enclosure for indicator lights that are available as accessories.

The narrow enclosure can accommodate a circuit breaker without accessories, with transverse and lateral auxiliary switch, whereas wide enclosures and enclosures for S2 circuit-breakers also provide space for a laterally mounted auxiliary release. There is no provision for installing a circuit-breaker with an alarm switch.

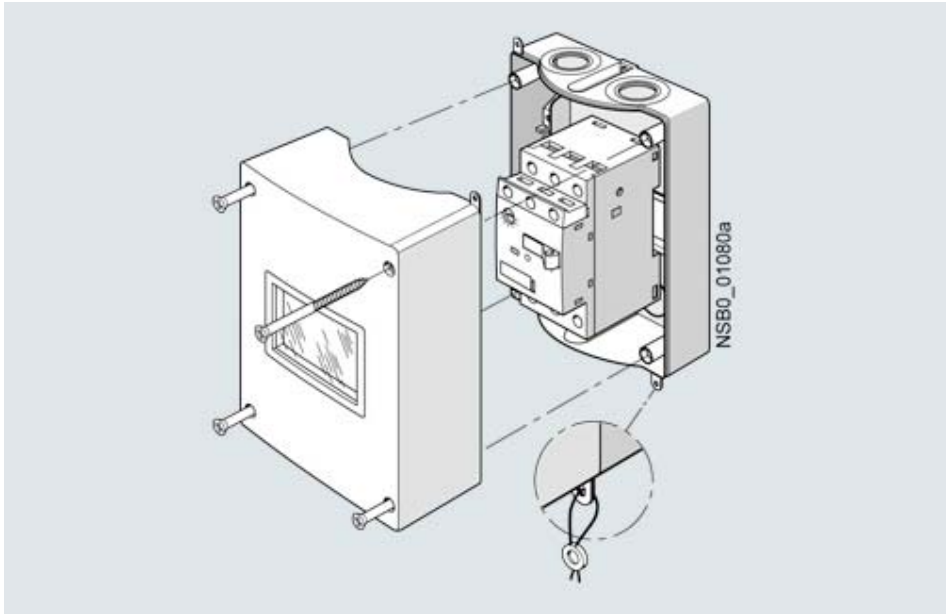
With S00 circuit breakers, the switch rocker is operated by means of the actuator diaphragm of the enclosure. A locking device, capable of holding up to three padlocks, can be fitted onto the actuator diaphragm to prevent the circuit-breaker from closing during maintenance work, for example.

A mushroom-shaped EMERGENCY-STOP knob can be fitted in place of the locking device. If it is actuated abruptly, the circuit-breaker opens and the mushroom-shaped knob latches. The knob can be unlatched again either by turning it or by using a special key. The circuit-breaker can subsequently be switched on again.

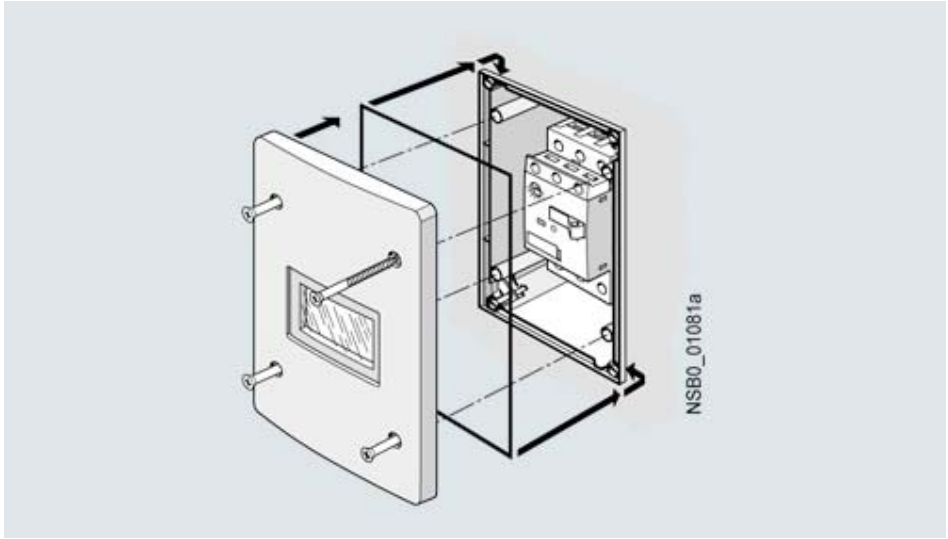
With size S0 and S2 circuit breakers the molded-plastic enclosures are equipped with a rotary operating mechanism.

The enclosures can either be supplied with a black rotary operating mechanism or with an EMERGENCY-STOP rotary operating mechanism with a red/yellow knob.

All rotary operating mechanisms can be locked in the Open position with up to 3 padlocks.



Enclosures for surface mounting



Enclosures for flush mounting