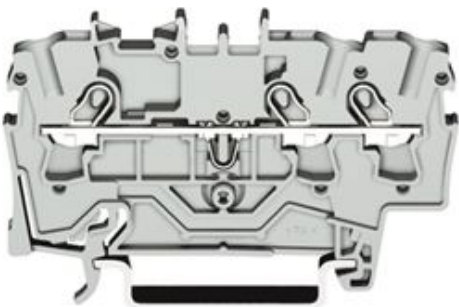

Item no.: 2006-1307
Product description: 3-Conductor earth terminal block suitable for Ex e applications



Produkt kann von Bild abweichen / product may differ

Packing unit 25 pieces

RoHS compliant

Product group	22 (TOPJOB S RAIL-MOUNTED TERMINAL BLOCKS)
Cross section [mm ²]	0.5 - 6 mm ²
Cross section [AWG]	20 - 8 AWG
Connection method	CAGE CLAMP®S Connection
Cross section [mm ²]	0.5 - 10 mm ²
Cross section [AWG]	20 - 8 AWG
Wiring method	s + f-st
Connection method	CAGE CLAMP®S Connection
Nominal current (Ex e II)	36 A
Weight	20.448 g
Color	green-yellow
Wiring type	Front-entry
No. of connection Points	3
No. of potentials	1
Height	33 mm
Height	1.299 in
Width	7.5 mm
Width	0.295 in
Depth	73.5 mm

Depth	2.89 in
Strip length from	13 mm
Strip length to	15 mm



Strip length	0.55 in
Customs Tariff No.	85369010
Country of Origin	Deutschland
Mounting	TS 35



Item number	Admission office	Approval no.	Voltage [V]	Current [A]	Cross section [mm ²]
2006-1307	ABS	05-HG476175/3-PDA			0,5-16
2006-1307	CCA	NL6342			0,5-6/10
2006-1307	CSA	154112-1543858			20-8
2006-1307	DNV	E-10423			0,5-16
2006-1307	GL	26187-05HH			0,5-6
2006-1307	KEMA	NL2031569.03			0,5-16
2006-1307	KEMA	NL2115558.02			0,5-16
2006-1307	LR	91/20112(E6)			0,5-16
2006-1307	PRS	TE/1718/880590/08			0,5-16
2006-1307	PTB	IECEXPTB05.0014U			0,5-10
2006-1307	PTB	PTB05Atex1030U			0,5-10
2006-1307	RosTest	8189158			0,5-10
2006-1307	UR	E45172			20-8

Sorting criteria: admission office - approval number

© WAGO Kontakttechnik GmbH & Co. KG

Specifications are subject to changes and errors may be expected