

Coupling relay - PSR-SCP- 24DC/ETP/1X1 - 2986711

Please be informed that the data shown in this PDF Document is generated from our Online Catalog. Please find the complete data in the user's documentation. Our General Terms of Use for Downloads are valid (<http://phoenixcontact.com/download>)



Coupling relay for SIL 3 low demand applications, couples digital output signals to the periphery, 1 enabling current path, module for F&G applications, test pulse filter, plug-in screw connection, 17.5 mm width

Why buy this product

- Narrow 17.5 mm housing
- Up to SIL 3 according to IEC 61508
- Long service life thanks to filtering of controller test pulses
- One enabling current path
- Couples digital output signals from failsafe controllers to I/O devices (valves, etc.) for electrical isolation and power adaptation



Key commercial data

Packing unit	1 pc
GTIN	 4 046356 540797
Weight per Piece (excluding packing)	190.0 g
Custom tariff number	85364190
Country of origin	Germany

Technical data

Note

Utilization restriction	EMC: class A product, see manufacturer's declaration in the download area
-------------------------	---

Dimensions

Width	17.5 mm
Height	99 mm
Depth	114.5 mm

Ambient conditions

Ambient temperature (operation)	-20 °C ... 55 °C
Ambient temperature (storage/transport)	-40 °C ... 65 °C

Coupling relay - PSR-SCP- 24DC/ETP/1X1 - 2986711

Technical data

Ambient conditions

Max. permissible humidity (storage/transport)	≤ 85 % (Condensation and icing are not permitted based on the average annual temperature)
	≤ 85 % (On an individual basis, condensation and icing are not permitted)
Shock	15g
Vibration (operation)	2g

Input data

Nominal input voltage U_N	24 V DC
Input voltage range	20.4 V DC ... 26.4 V DC
Input voltage range in reference to U_N	0.85 ... 1.1
Typical input current at U_N	75 mA
Typical inrush current	200 mA
Typical response time	30 ms
Recovery time	1 s
Status display	Green LED (POWER)

Output data

Contact type	1 enabling current path
Contact material	AgNi, gold-flashed
Minimum switching voltage	15 V AC/DC
Maximum switching voltage	250 V AC (125 V DC)
Limiting continuous current	5 A (N/O contact, pay attention to the derating)
Inrush current, minimum	100 mA
Maximum inrush current	5 A
Sq. Total current	25 A^2 ($I_{TH2} = I_{12} + \dots + I_{N2}$)
Switching capacity min.	1.5 W

General

Relay type	Electromagnetic dust-proof relay
Mechanical service life	Approx. 10^7 cycles
Mounting type	DIN rail mounting
Assembly instructions	In rows with zero spacing
Degree of protection	IP20
Min. degree of protection of inst. location	IP54
Mounting position	optional (Observe derating)
Designation	Air and creepage distances between the power circuits
Standards/regulations	DIN EN 50178
Rated surge voltage / insulation	6 kV/safe isolation (through protective impedance)
Rated insulation voltage	250 V AC
Pollution degree	2
Surge voltage category	III

Coupling relay - PSR-SCP- 24DC/ETP/1X1 - 2986711

Technical data

Connection data

Conductor cross section solid min.	0.2 mm ²
Conductor cross section solid max.	2.5 mm ²
Conductor cross section stranded min.	0.2 mm ²
Conductor cross section stranded max.	2.5 mm ²
Conductor cross section AWG/kcmil min.	24
Conductor cross section AWG/kcmil max	12
Stripping length	7 mm
Screw thread	M3
Connection method	Screw connection

Classifications

eCl@ss

eCl@ss 4.0	27371102
eCl@ss 4.1	27371102
eCl@ss 5.0	27371901
eCl@ss 5.1	27371901
eCl@ss 6.0	27371819
eCl@ss 7.0	27371819
eCl@ss 8.0	27371819

ETIM

ETIM 2.0	EC001449
ETIM 3.0	EC001449
ETIM 4.0	EC001449
ETIM 5.0	EC001449

UNSPSC

UNSPSC 6.01	30211901
UNSPSC 7.0901	39121501
UNSPSC 11	39121501
UNSPSC 12.01	39121501
UNSPSC 13.2	39121501

Approvals

Approvals

Approvals

Functional Safety

Coupling relay - PSR-SCP- 24DC/ETP/1X1 - 2986711

Approvals

Ex Approvals

Approvals submitted

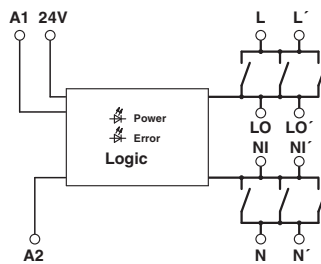
UL / null / cUL / null

Approval details

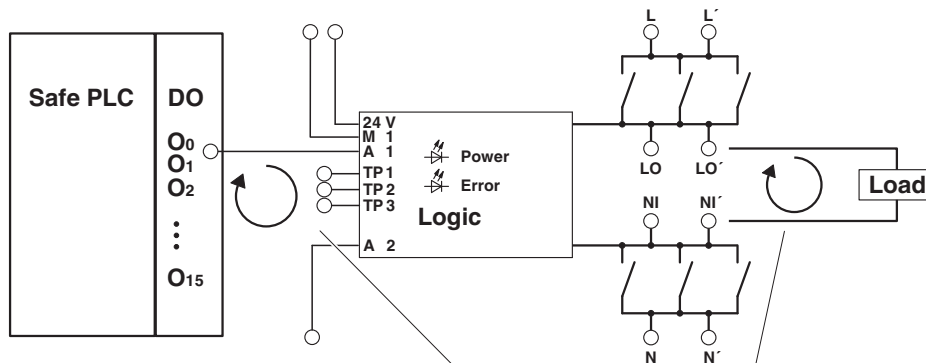
Functional Safety

Drawings

Circuit diagram



Circuit diagram



Line/load monitoring from the controller to the actuator

Coupling relay - PSR-SCP- 24DC/ETP/1X1 - 2986711

Application photo



Abbildung kann gegebenenfalls weitere Produkte enthalten.