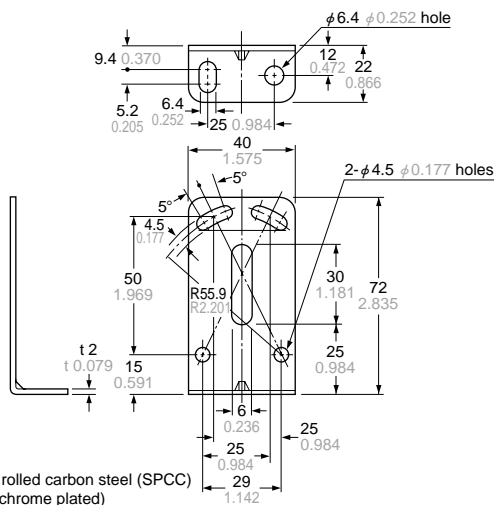


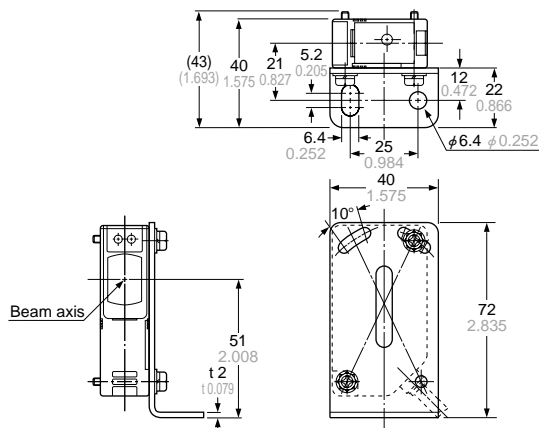
DIMENSIONS (Unit: mm in) The CAD data in the dimensions can be downloaded from the SUNX website: <http://www.sunx.co.jp/>

MS-NX5-1 Sensor mounting bracket (Optional)

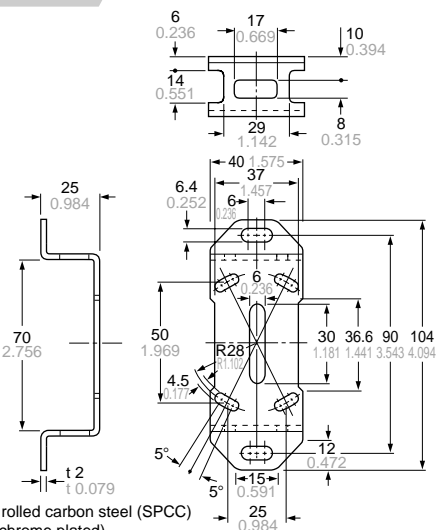


Material: Cold rolled carbon steel (SPCC)
(Uni-chrome plated)
Two M4 (length 25 mm 0.984 in) screws with washers and two M4 nuts are attached.

Assembly dimensions Mounting drawing with the receiver of NX5-M10R□

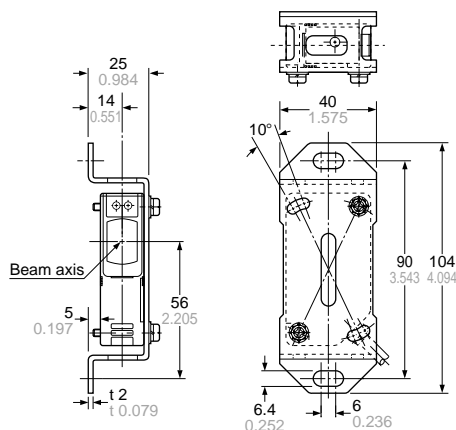


MS-NX5-2 Sensor mounting bracket (Optional)

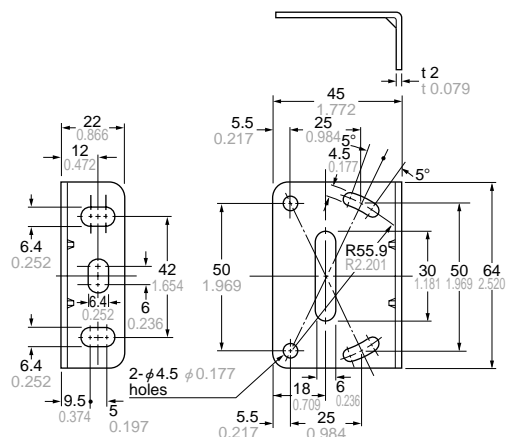


Material: Cold rolled carbon steel (SPCC)
(Uni-chrome plated)
Two M4 (length 25 mm 0.984 in) screws with washers and two M4 nuts are attached.

Assembly dimensions Mounting drawing with the receiver of NX5-M10R□



MS-NX5-3 Sensor mounting bracket (Optional)



Material: Cold rolled carbon steel (SPCC)
(Uni-chrome plated)
Two M4 (length 25 mm 0.984 in) screws with washers and two M4 nuts are attached.

Assembly dimensions Mounting drawing with the receiver of NX5-M10R□

