

ADA-PLCC44-40

Introduction:

This adapter connect the pins of a PLCC44 EPROMs or Microcontrôleurs to a 40 pin DIP equivalent.
It accept a PLCC44 device and plug into a DIP40 socket.
Socket type "open".

Connections of this adapter:

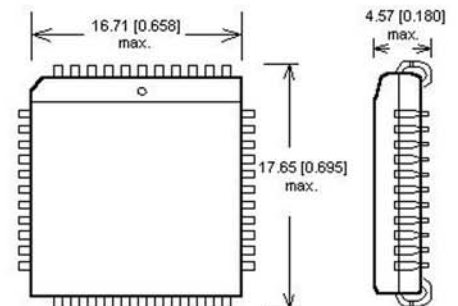
DIP40	PLCC44 (EPROM)	PLCC44 (EPROM)	DIP40
X	1	44	40
1	2	43	39
2	3	42	38
3	4	41	37
4	5	40	36
5	6	39	35
6	7	38	34
7	8	37	33
8	9	36	32
9	10	35	31
10	11	34	30
11	12	33	X
X	13	32	29
12	14	31	28
13	15	30	27
14	16	29	26
15	17	28	25
16	18	27	24
17	19	26	23
18	20	25	22
19	21	24	21
20	22	23	X

X = no connection.

DIP40	PLCC44 (MCU)	PLCC44 (MCU)	DIP40
X	1	44	40
1	2	43	39
2	3	42	38
3	4	41	37
4	5	40	36
5	6	39	35
6	7	38	34
7	8	37	33
8	9	36	32
9	10	35	31
10	11	34	X
X	12	33	30
11	13	32	29
12	14	31	28
13	15	30	27
14	16	29	26
15	17	28	25
16	18	27	24
17	19	26	23
18	20	25	22
19	21	24	21
20	22	23	X

Dimensions of the devices accepted:

PLCC (44)



Package PLCC44 :



Examples of supported devices:

EPROMs : 27C1024 / 27C2048 / 27C4096
Microcontrôleurs : 87C51 / 87C52 / 89C51 / 89C52

Equivalent adapters from other manufacturers:

WL-PL44-P4
PA44-40A / PA44-40B
SA004 / SA005

Item includes:

Adapter.
User manual in English and French.