

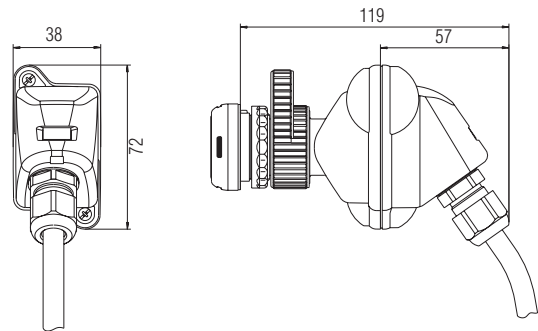


ComEx<sup>flex</sup>  
Junction box

ComEx<sup>flex</sup> Junction box with function modules



Dimensions



Junction box

BARTEC offers a junction box to facilitate the use of ComEx<sup>flex</sup> in a control console or a control panel. The junction box features a cable gland and can be combined with various function modules.

The junction box allows the connection of a conductor, which can be assembled either to order or by the customer.

ComEx<sup>flex</sup> Junction box

Explosion protection

Ex protection type      Ex II 2G Ex de IIC T6 Gb  
Ex II 2D Ex tb IIIC T80°C Db IP 66

Certification              PTB 11 ATEX 1010 X  
IECEX PTB 11.0025X

Ambient temperature    -55 °C to +40 °C / +50 °C / +60 °C

Approved for Zone        1, 2 and 21, 22

Technical data

Protection class            Function module with junction box and actuating element up to IP 66/IP 67

Weight                        approx. 40 g

Clamping range            4 to 9 mm  
5 to 10 mm

Enclosure material/  
-manufacturing process    Thermoplastic/injection moulding

Order no.  
Junction box  
05-0042-0050

Technical data subject to change without notice.