



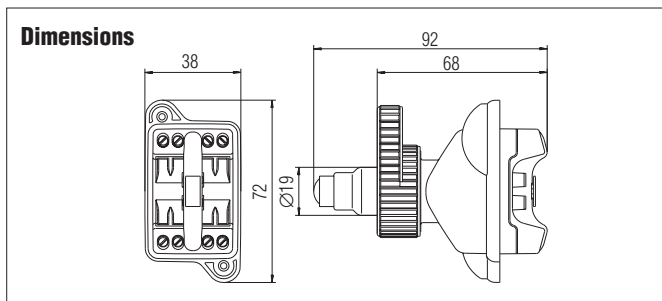
*ComEx<sup>flex</sup>  
Illuminated  
button*

**Description**

The ComEx<sup>flex</sup> illuminated button is used in almost all hazardous (potentially explosive) areas where machine functions are activated by pressing a button and the corresponding functional status is to be indicated visually.

ComEx<sup>flex</sup> is flexible and in addition to a large number of illuminated button actuators it offers a junction box to facilitate a safe and convenient installation of the module into a control panel. The module contacts are designed as snap-action contact elements.

The conductors are connected by means of terminals on the back of the module which have an increased safety level. The easy installation of the lamp module actuating elements, without tools, ensures conformance to the high IP degree of protection.



**Selection chart**

Type of contacts	Code no.	Colour LED	Code no.	Colour actuator	Code no.
 1 N/C	7	red	1	red	5
		green	2	green	6
		yellow	3	yellow	7
 1 N/O	8	white	4	white	8
		blue	5	blue	9

**Features**

- One module for all fields of application
- Excellent luminosity
- High flexibility thanks to the junction box
- Low installation depth

**ComEx<sup>flex</sup> Illuminated Button**

**Explosion protection**

**Ex protection type**      $\text{Ex II 2G Ex de IIC Gb}$   
                                   $\text{Ex I M2 Ex de I Mb}$

**Certification**             PTB 97 ATEX 1064 U  
                                  IECEx PTB 10.0014 U

**Ambient temperature**     -55 °C to +60 °C

**Technical Data**

**Protection class**             determined by the actuating element and control station enclosures, terminals IP 20 (IEC 60529).

**Rated Insulation voltage**     300 V

**Rated operating voltage**     AC 12 V to 250 V     ( $T_a \leq +50\text{ °C}$ )  
                                  DC 12 V to 60 V     ( $T_a \leq +50\text{ °C}$ )  
                                  AC/DC 12 V to 24 V     ( $T_a \leq +60\text{ °C}$ )

**Power consumption**             < 1 W

**Lamp**                             LED, red, green, yellow, white, blue

**Contacts**                         1 N/C or 1 N/O  
                                  as snap switch element  
                                  AC 15: 1 A, 230 V

**Illumination**                     very bright, over a visible angle of 180°

**Enclosure material**             thermoplastic

**Type of connection**             terminals 2.5 mm<sup>2</sup>, fine-stranded

**Service life**                     electrical: >10<sup>5</sup> running hours  
                                  mechanical: >10<sup>5</sup> switching cycles

**Storage and transport temperature**     -55 °C to +70 °C

**Weight**                             approx. 110 g

**Mounting**                         locked, bayonet lock

**Shock resistance**             DIN EN 60068-2-27: 2010, 30 g 18 ms

**Complete order no.**

**Illuminated button**  
without actuating element

**Actuating element**  
Standard

Increased oil resistance

07-3363-4   0

05-0003-006  00

05-0003-006  00BN