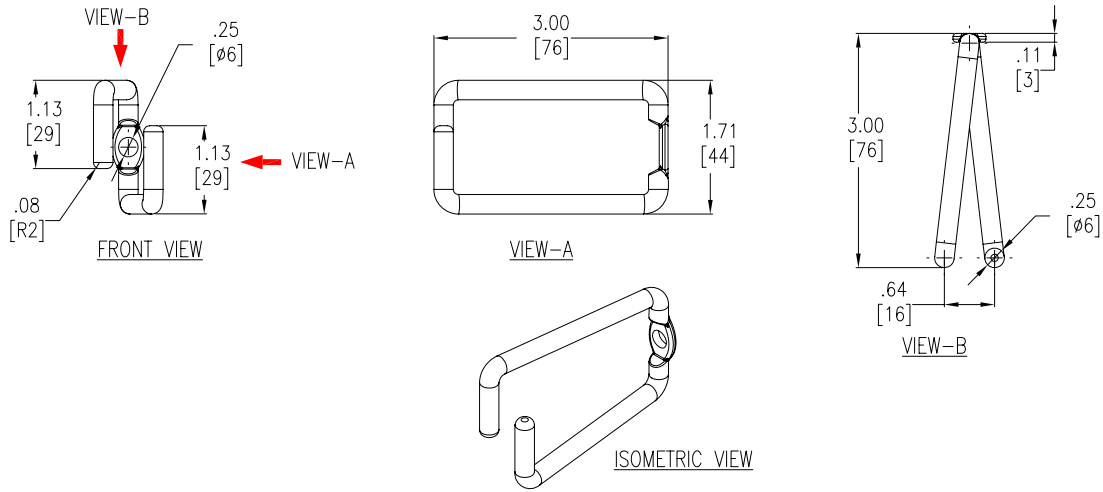
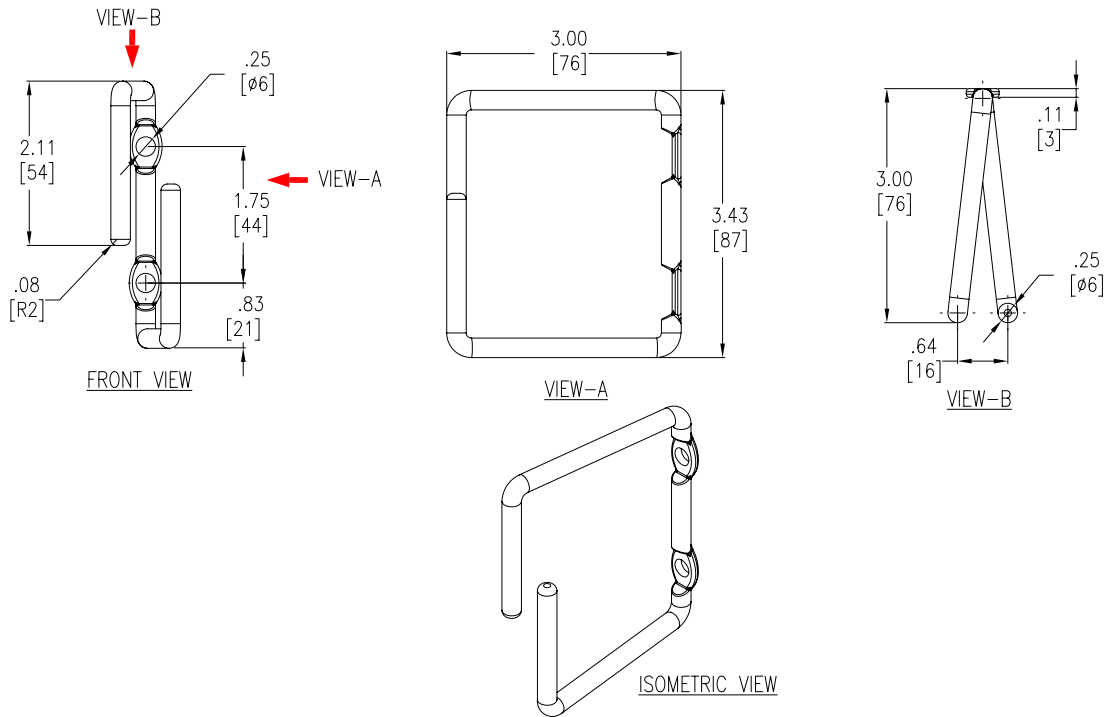


SKU DETAILS

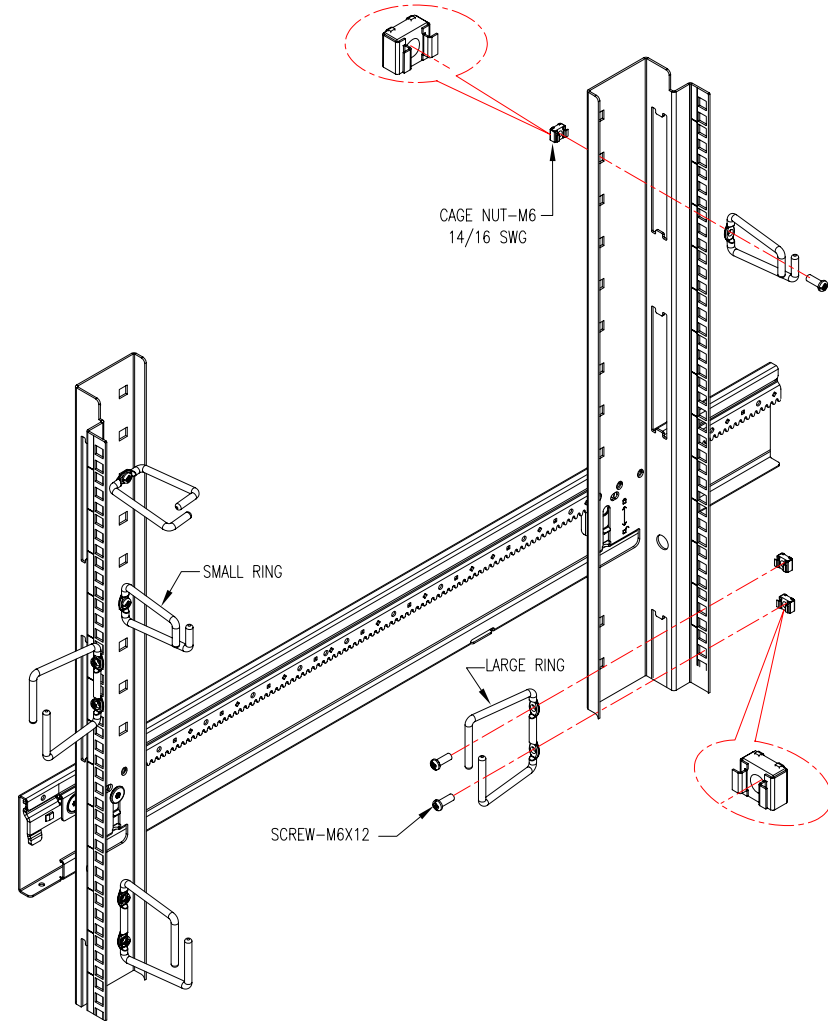
SMALL RINGS(1U)



LARGE RINGS(2U)



APPLICATION DETAILS (5 UNITS EACH PER SKU)



TYPICAL INSTALLATION DETAILS (EXPLODED VIEW)

NOTES:

1. INSTALLATION MUST COMPLY WITH ALL APPLICABLE NATIONAL AND LOCAL CODES.
2. PLEASE REFER TO APC PRODUCT MANUAL FOR DETAILS.
3. ALL DIMENSIONS ARE IN INCHES [MILLIMETERS].
4. EACH LARGE RING INCLUDES (2) M6 SCREWS & (2) CAGE NUT.
EACH SMALL RING INCLUDES (1)M6 SCREW & (1) CAGE NUT.
5. WEIGHT OF UNIT IS 3.1 LBS [1.41 kg].

THIS DRAWING AND SPECIFICATIONS HEREIN ARE THE PROPERTY OF AMERICAN POWER CONVERSION AND SHALL NOT BE COPIED, REPRODUCED OR USED IN WHOLE OR IN PART, AS THE BASIS FOR THE MANUFACTURE OR SALE OF ITEMS WITHOUT WRITTEN PERMISSION FROM APC. THIS DRAWING IS BASED UPON LATEST AVAILABLE INFORMATION AND IS SUBJECT TO CHANGE WITHOUT NOTICE.

APC
www.apc.com

TITLE:
CABLE MANAGEMENT RINGS
(5 LARGE AND 5 SMALL RINGS)

PROJECT: SUBMITTAL DRAWINGS SHEET 1 OF 1

DWG NO: AR8113A

DRAWN: BALAMURUGAN 03-JAN-08

ENGINEER: M.UHRHAN/B.OLIVER 03-JAN-08

APPROVED: B.SHERIDAN/E.SILVA/C.LARSEN/S.WACH 03-JAN-08

REV. 0

ANGLE

PROJECTION

N.A