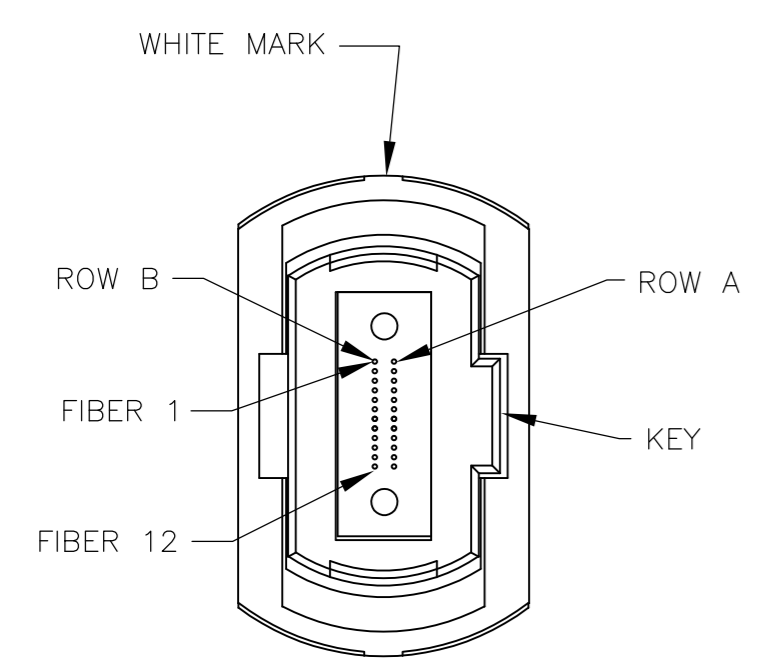
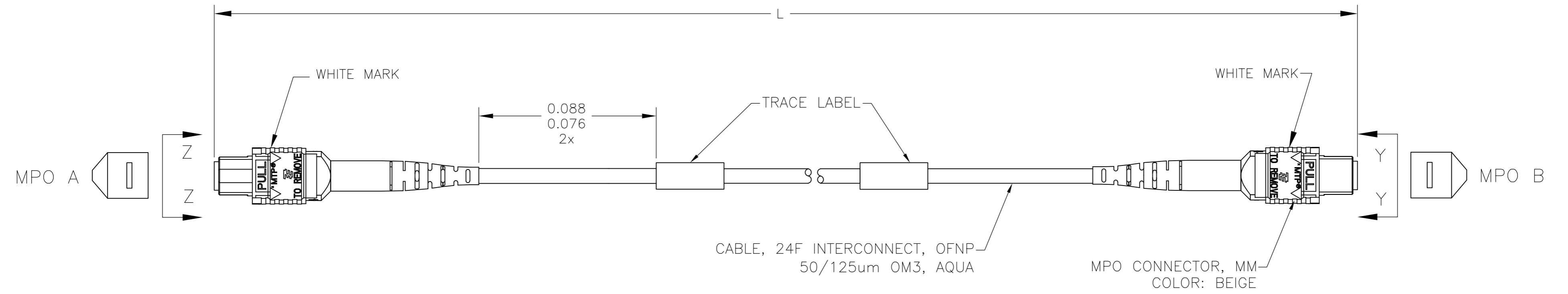


THIS DRAWING IS UNPUBLISHED. RELEASED FOR PUBLICATION
 © COPYRIGHT - By - ALL RIGHTS RESERVED.

LOC	DIST	REVISIONS			
P	LTR	DESCRIPTION	DATE	DWN	APVD
HG	-				
	A1	ECR-12-000968, ADDED NOTE3,4	02FEB2012	KZ	RZ

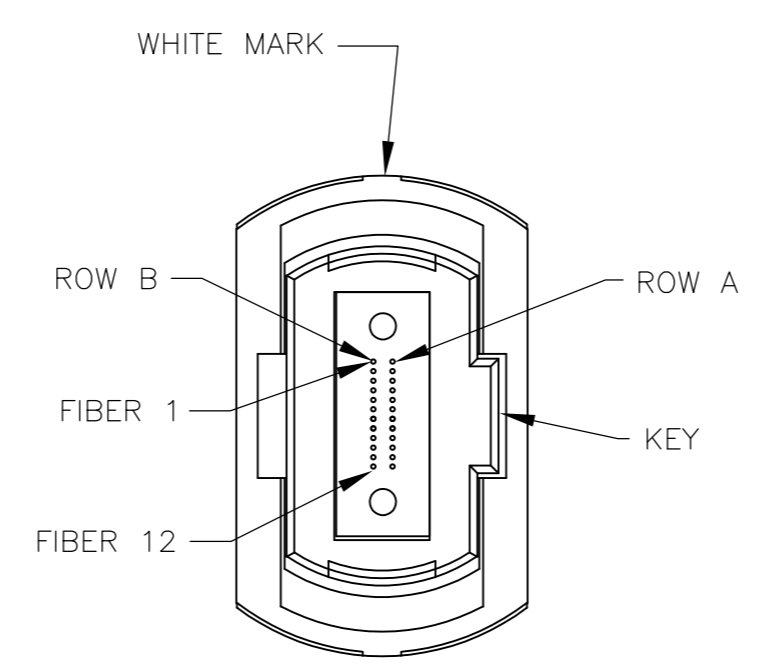
- 1. MAXIMUM CONNECTOR INSERTION LOSS AT 850nm.
- 2. PRODUCT AND PROCESSING MUST MEET REQUIREMENTS OF TEC-138-702.
- 3. CONNECTOR MATERIAL FLAMMABILITY: UL94 V-0 OR BETTER.
- 4. CABLE FLAMMABILITY: UL1651 OFNP OR BETTER.



VIEW Z-Z
NOT TO SCALE

MPO A ROW	FIBER	FIBER COLOR	MPO B ROW	FIBER
A	1	BLUE	B	1
A	2	ORANGE	B	2
A	3	GREEN	B	3
A	4	BROWN	B	4
A	5	SLATE	B	5
A	6	WHITE	B	6
A	7	RED	B	7
A	8	BLACK	B	8
A	9	YELLOW	B	9
A	10	VIOLET	B	10
A	11	ROSE	B	11
A	12	AQUA	B	12
B	1	BLUE	A	1
B	2	ORANGE	A	2
B	3	GREEN	A	3
B	4	BROWN	A	4
B	5	SLATE	A	5
B	6	WHITE	A	6
B	7	RED	A	7
B	8	BLACK	A	8
B	9	YELLOW	A	9
B	10	VIOLET	A	10
B	11	ROSE	A	11
B	12	AQUA	A	12

CONNECTOR FIBER PATH

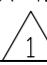



VIEW Y-Y
NOT TO SCALE

THIS DRAWING IS A CONTROLLED DOCUMENT.		DWN SHI BI YUN 24AUG2011	TE Connectivity	
DIMENSIONS: METERS		CHK ZHANG JINQIANG 24AUG2011	NAME RICHARD ZHAO 24AUG2011	
		TOLERANCES UNLESS OTHERWISE SPECIFIED:		PRODUCT SPEC CABLE ASSEMBLY, FIBER OPTIC, CXP, 50/125um OM3 24 FIBER, INTERCONNECT CABLE MPO, NO PINS, BOTH ENDS
MATERIAL		APVD RICHARD ZHAO 24AUG2011	APPLICATION SPEC	RESTRICTED TO
		WEIGHT	SIZE A2	CAGE CODE 00779
		FINISH	DRAWING NO 2148238	SCALE NTS
		CUSTOMER DRAWING	SHEET 1 of 2	REV A1

THIS DRAWING IS UNPUBLISHED. RELEASED FOR PUBLICATION
 © COPYRIGHT - By - ALL RIGHTS RESERVED.

LOC	DIST	REVISIONS					
CE	00	P	LTR	DESCRIPTION	DATE	DWN	APVD
		-		SEE SHEET 1	-	-	-

PART NUMBER	L		MPO MAX IL (dB) 
	MAX	MIN	
2148238-1	1.050	0.950	0.70
2148238-2	2.050	1.950	0.71
2148238-3	3.050	2.950	0.71
2148238-4	4.080	3.920	0.71
2148238-5	5.080	4.920	0.72
2148238-6	6.080	5.920	0.72
2148238-7	7.080	6.920	0.72
2148238-8	8.080	7.920	0.73
2148238-9	9.150	8.850	0.73
1-2148238-0	10.150	9.850	0.74
1-2148238-1	11.150	10.850	0.74
1-2148238-2	12.150	11.850	0.74
1-2148238-3	13.150	12.850	0.75
1-2148238-4	14.150	13.850	0.75
1-2148238-5	15.150	14.850	0.75
1-2148238-6	16.160	15.840	0.76
1-2148238-7	17.170	16.830	0.76
1-2148238-8	18.180	17.820	0.76
1-2148238-9	19.190	18.810	0.77
2-2148238-0	20.200	19.800	0.77
2-2148238-1	21.210	20.790	0.77
2-2148238-2	22.220	21.780	0.78
2-2148238-3	23.230	22.770	0.78
2-2148238-4	24.240	23.760	0.78
2-2148238-5	25.250	24.750	0.79
2-2148238-6	26.260	25.740	0.79
2-2148238-7	27.270	26.730	0.79
2-2148238-8	28.280	27.720	0.80
2-2148238-9	29.290	28.710	0.80
3-2148238-0	30.300	29.700	0.81
3-2148238-1	31.310	30.690	0.81
3-2148238-2	32.320	31.680	0.81
3-2148238-3	33.330	32.670	0.82
3-2148238-4	34.340	33.660	0.82
3-2148238-5	35.350	34.650	0.82
3-2148238-6	36.360	35.640	0.83
3-2148238-7	37.370	36.630	0.83
3-2148238-8	38.380	37.620	0.83
3-2148238-9	39.390	38.610	0.84
4-2148238-0	40.400	39.600	0.84
4-2148238-1	41.410	40.590	0.84
4-2148238-2	42.420	41.580	0.85
4-2148238-3	43.430	42.570	0.85
4-2148238-4	44.440	43.560	0.85
4-2148238-5	45.450	44.550	0.86
4-2148238-6	46.460	45.540	0.86
4-2148238-7	47.470	46.530	0.86
4-2148238-8	48.480	47.520	0.87
4-2148238-9	49.490	48.510	0.87
5-2148238-0	50.500	49.500	0.88
5-2148238-5	55.550	54.450	0.89
6-2148238-0	60.600	59.400	0.91
6-2148238-5	65.650	64.350	0.93
7-2148238-0	70.700	69.300	0.95
7-2148238-5	75.750	74.250	0.96
8-2148238-0	80.800	79.200	0.98
8-2148238-5	86.000	84.000	1.00
9-2148238-0	91.350	88.650	1.02
9-2148238-5	96.425	95.575	1.03
9-2148238-9	101.500	98.500	1.05

THIS DRAWING IS A CONTROLLED DOCUMENT.		DWN	24AUG2011	 TE Connectivity
		CHK	24AUG2011	
		APVD	24AUG2011	
		NAME	RICHARD ZHAO	
DIMENSIONS:	TOLERANCES UNLESS OTHERWISE SPECIFIED:	PRODUCT SPEC	CABLE ASSEMBLY, FIBER OPTIC, CXP, 50/125um OM3	
METERS	0 PLC ± - 1 PLC ± - 2 PLC ± - 3 PLC ± - 4 PLC ± - ANGLES ± -	APPLICATION SPEC	24 FIBER, INTERCONNECT CABLE	
			MPO, NO PINS, BOTH ENDS	
MATERIAL	FINISH	WEIGHT	SIZE	RESTRICTED TO
-	-	-	A2 00779	-
CUSTOMER DRAWING			SCALE	REV
			NTS	A1
			SHEET	
			2 OF 2	