

# Product Information



## AVIANA

### 5976PJE075P54

EAN 4031582370966

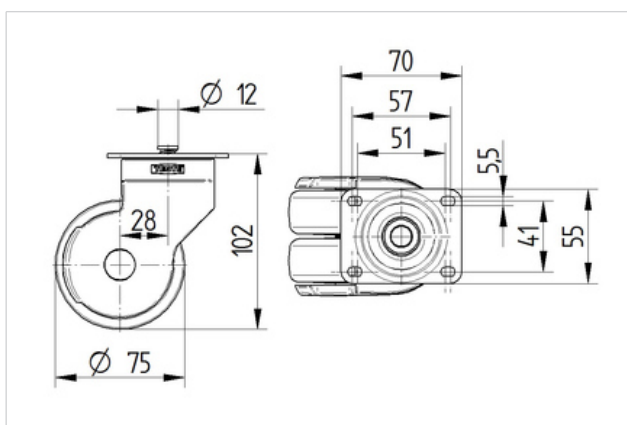
Swivel castor with central lock, housing made from high grade synthetic materials, double ball bearing swivel head, axle riveted, plate fitting.

Wheel centre made of Polypropylene, Tread: TENTEprene (thermoplastic rubber), grey non-marking, cone ball bearing, stainless



#### Technical Data

Wheel diameter	75 mm
Width of Tread	25 mm
Size of Plate	70 x 55 mm
Plate hole centres	57/51 x 41 mm
Plate hole	5,5 mm
Offset	28 mm
Swivel Interference	131 mm
Overall height	102 mm
Temperature	- 10 / + 40 °C
Weight	0.379 kg
Swivel Radius	65.5 mm
Hardness of tread	A 87 Shore



Roll performance	+	+	+	+	+
Movement noise	+	+	+	+	+
Attrition	+	+	+	+	+
Corrosion resistance	+	+	+	+	+



# Product Information



**AVIANA**  
**5976PJE075P54**  
EAN 4031582370966

