

PowerConnections

3 Pin Schuko Converter Plug Technical Data & Fitting Instructions

Description

The 3 Pin Schuko Converter Plug (SCP3) is an adapter that converts the European IEC 60083:1975 Standard C 2b, C4, C5, and C6 plug to the BS I363 system format. The plug is designed and manufactured to meet the requirements of BS 5733. It complies fully with the LVD and Plug and Socket safety regulations. The design of the clamping method ensures the body of the European IEC 60083:1975 Standard C 2b, C4, C5, and C6 plug is enclosed.

Classification –

- Adapter, Single portable,
- Re-wireable plug,
- Fused,
- Normal use,
- Converts European IEC 60083:1975 Standard C 2b, C4, C5, and C6 plug to the BS I363 format.
- Suitable for Class 1 and 2 devices (earthed and unearthed). Not Suitable for any other plug system.

Certification - BSi Kitemark to BS 1363-5

Relevant Standards - BS 1363-5 — Conversion plug
- BS 1362 — Fuse link

Rating

- | | |
|----------------------------|--------------------------------------|
| - Voltage | 240V ac |
| - Current | 10 amps max, |
| - Load | 3000 watts max. |
| - Frequency | 50 Hz |
| - Environmental Protection | IP 3X (STD BS1363 accessory rating). |
| - Fuse | 10 amp BS 1362. |
| - Flammability | V2 (external Casing) |
| - Mechanical Strength | 1000 grams @ 500mm |
| - Colour | Black or White |
| - Weight | 60 grams typical |
| - Finish | Plain and fine sparkle |
| - Retaining Screw | Plain or Tamperproof |

Note: -Tolerance as per relevant British Standard

Safety Design Features

- Double mechanical interlocks to prevent the SCP3 from being inserted into the socket outlet without the cover and retaining screws being properly secured.
- Hinged cover External fuse access, opening of SCP3 not required
- No loose parts
- Plug features designed to meet the requirements of BS1363.

PowerConnections

Meets the requirements of the DTI Plug and Socket regulations.

Note: The SCP3 should be used with double pole protected appliances only

Installation System

The 3 Pin Schuko Converter Plug (SCP3) is designed for use within the BS1363 Plug and Socket system only, as defined by the IEE Wiring Regulations BS 7671

Fitting

The 3 Pin Schuko Converter Plug (SCP3) should be fitted as follows (see full details below):

- 1 Open SCP3
- 2 Insert the Schuko Plug into the SCP3.
- 3 Close lid¹
- 4 Tighten retaining screws² to 0.4N.m (4.08Kgf.cm).
- 5 Assembly complete

- *NOTE 1: - If the cover does not close fully, this may mean that the Schuko Plug has not been correctly fitted, check, and rectify before use.*
- *NOTE 2: - This torque setting is for hand screwdrivers, if required, please contact us for guidance regarding power screwdriver settings*

Service Conditions

- Temperature Range
- Storage -40 °C to +80 °C Ambient
- Working -05 °C to +35 °C 95% RH Ambient
- Altitude 2000m above sea level max.
- Not subject to exposure to direct radiation from the sun
- Abnormal Condition -Avoid pollution by smoke, chemical and flammable fumes salt laden spray, periods of high humidity > 95% relative humidity (RH)

SCP3 FITTING INSTRUCTIONS Straight Schuko



Diagram 1

Product received closed

Insert thumbs at "A" and "B" and pull open lid.

Product now ready to use, see diagram 2

PowerConnections

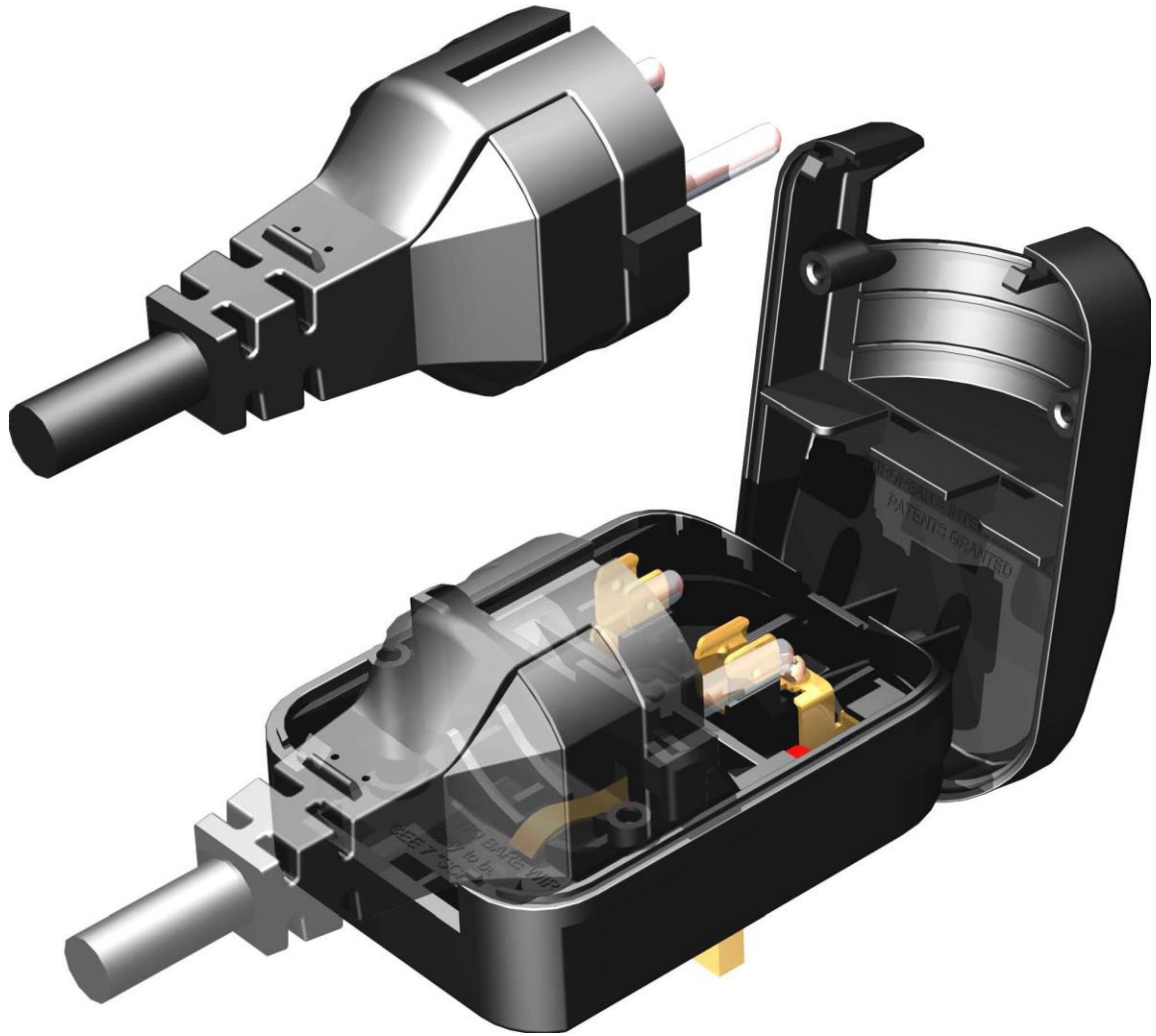


Diagram 2

Get plug and install in to clips, and close lid aligning clips, see diagram 3.

PowerConnections

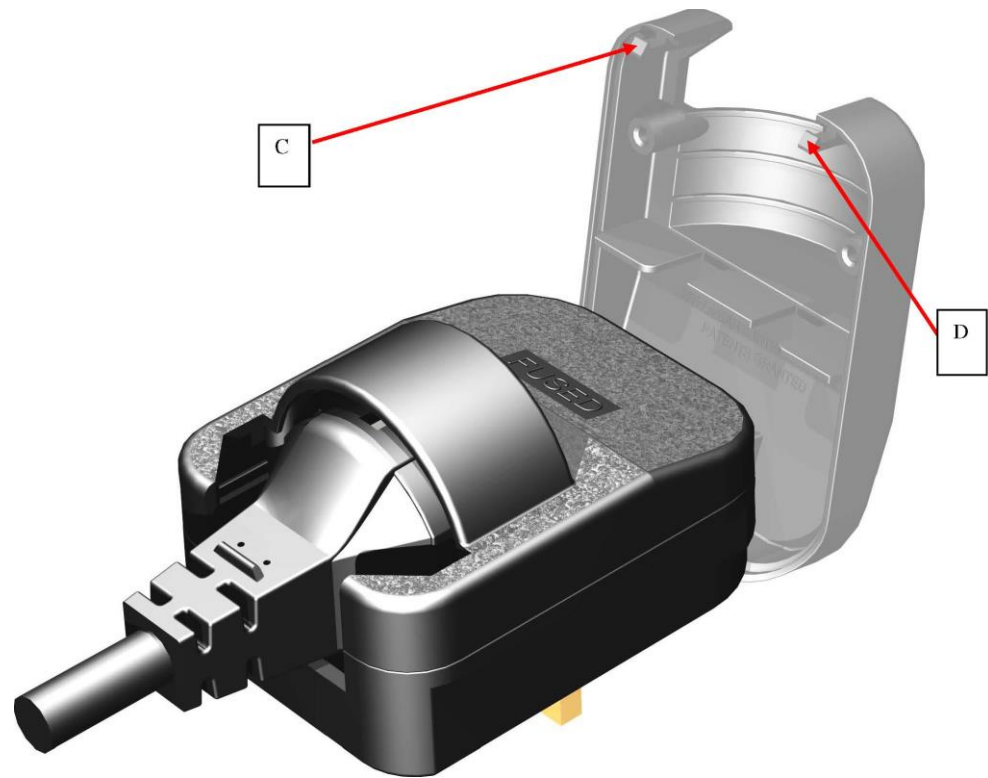


Diagram 3

Close lid

Ensure clips "C" and "D" align and click home, see diagram 4.

PowerConnections

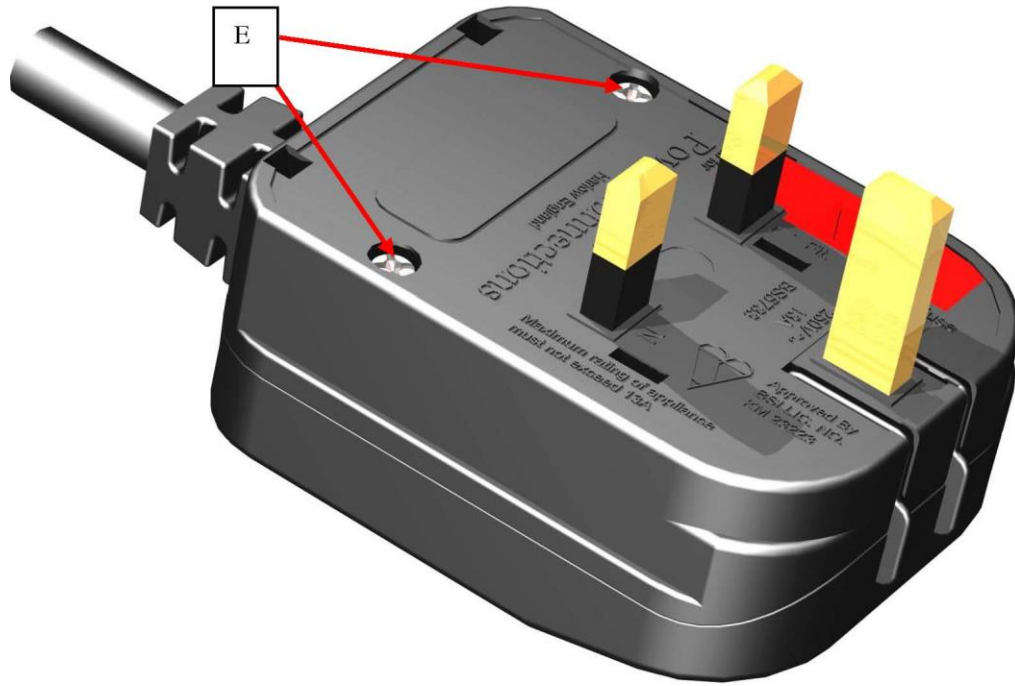


Diagram 4

Lid now secured by clips, and ready to screw up as shown; tighten screws to a torque of 0.4 Nm (**Maximum**)

Fitting complete

PowerConnections

SCP3

FITTING INSTRUCTIONS Right Angle Schuko

The SCP3 should be used with double pole protected appliances only



Diagram 1

Product received closed

Insert thumbs at "A" and "B" and pull open lid.

Product now ready to use, see diagram 2

PowerConnections



Diagram 2

Get plug and install in to clips, and close lid aligning clips, see diagram 3.

PowerConnections

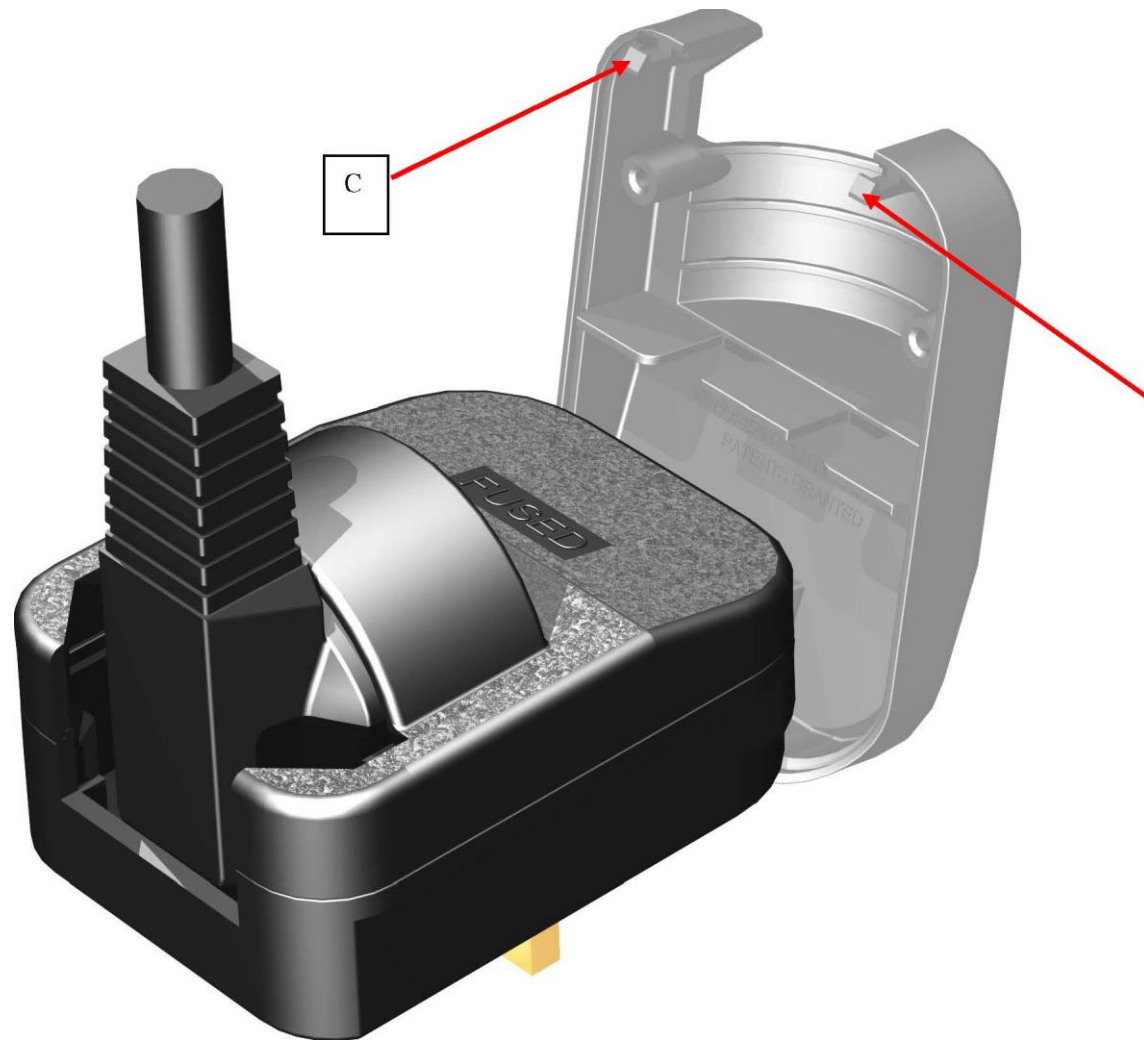


Diagram 3

Close lid

Ensure clips "C" and "D" align and click home, see diagram 4.

PowerConnections

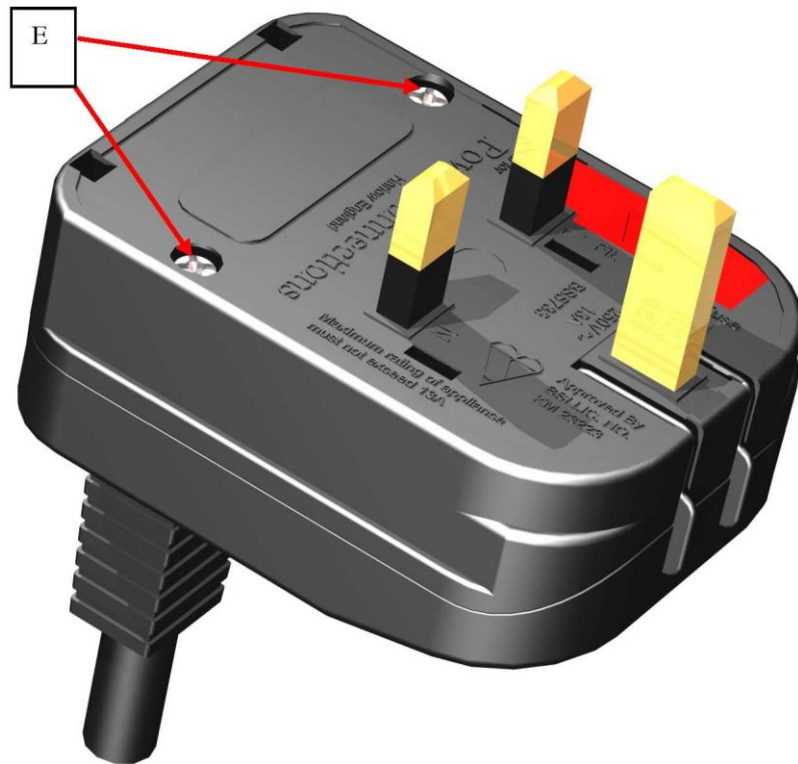


Diagram 4

Lid now secured by clips, and ready to screw closed (2 screws “E”) as shown, tighten screws to a torque of 0.4 Nm (**Maximum**)

Fitting complete