

# PowerConnections

## SAN3 - Euro to Australian Converter Plug Technical Data & Fitting Instructions

### Description

The 3 Pin Euro to Australian Converter Plug (SAN3) is an adapter that converts the European IEC 83:1975 Standard C 2b, C4, C5, and C6 plug to the AS NZS 3112-2000 system format. The plug is designed and manufactured to meet the requirements of AS NZS 3112-2000. It complies fully with the LDV and Plug and Socket safety regulations. The design of the clamping method ensures the body of the European IEC 83:1975 Standard C 2b, C4, C5, and C6 plug is enclosed.

### Classification

- Adapter, Single portable,
- Non Re-Usable plug,
- Un-Fused,
- Normal use,
- Converts European IEC 83:1975 Standard C 2b, C4, C5, and C6 plug to the BS 1363 format.
- Suitable for Class 1 and 2 devices (earthed and unearthed).
- Not Suitable for any other plug system.

Certification - AS NZS 3112-2000

Relevant Standards - AS NZS 3112-2000

### Rating

- |                            |                        |
|----------------------------|------------------------|
| - Voltage                  | 250V ac                |
| - Current                  | 10 amps max,           |
| - Load                     | 2500 watts max.        |
| - Frequency                | 50 Hz                  |
| - Environmental Protection | IP 3X                  |
| - Flammability             | V2 (external Casing)   |
| - Mechanical Strength      | 1000 grams @ 500mm     |
| - Colour                   | Black or White         |
| - Weight                   | 50 grams typical       |
| - Finish                   | Plain and fine sparkle |
| - Retaining Screw          | Tamperproof            |

Note: - Tolerance as per relevant British Standard

### Safety Design Features

- Double mechanical interlocks to prevent the SAN3 from being inserted into the socket outlet without the cover and retaining screws being properly secured.
- Hinged cover
- External fuse access, opening of SAN3 not required
- No loose parts

# PowerConnections

- Plug features designed to meet the requirements of AS NZS 3112-2000

## Installation System

The Euro to Australian Converter Plug (SAN3) is designed for use within the AS NZS 3112-2000 Plug and Socket system only.

## Fitting

The Euro to Australian Converter Plug (SAN3) should be fitted as follows (see full details below):

1. Open SAN3
  2. Insert the Schuko Plug into the SAN3.
  3. Close lid<sup>1</sup>
  4. Tighten retaining screws<sup>2</sup> to 0.4N.m (4.08Kgf.cm).
  5. Assembly complete
- *Note 1:- If the cover does close fully, this may mean that the Schuko Plug has not been correctly fitted, check and rectify before use.*
  - *NOTE 2:- This torque setting is for hand screwdrivers, if required, please contact us for guidance regarding power screwdriver settings*

## Service Conditions

- Temperature Range
  - Storage -40 °C to +80 °C Ambient
  - Working -05 °C to +35 °C 95% RH Ambient
- Altitude 2000m above sea level max.
- Not subject to exposure to direct radiation from the sun
- Abnormal Condition - Avoid pollution by smoke, chemical and flammable fumes salt laden spray, periods of high humidity > 95% relative humidity (RH)

# PowerConnections

## SAN3 FITTING INSTRUCTIONS Straight Schuko



### Diagram 1

Product received closed

Insert thumbs at "A" and "B" and pull open lid.

Product now ready to use, see diagram 2

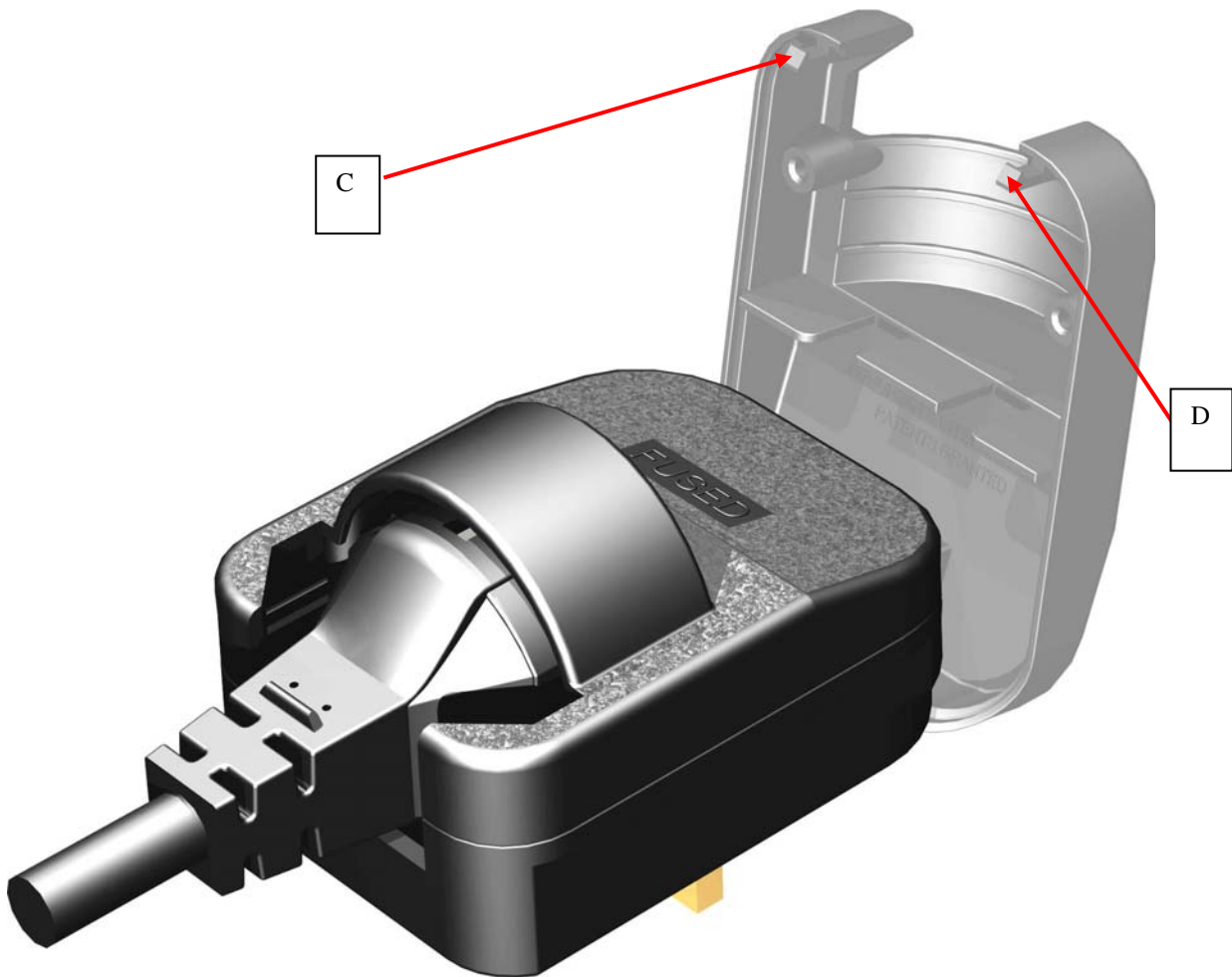
# PowerConnections



## Diagram 2

Get plug and install in to clips, and close lid aligning clips, see diagram 3.

# PowerConnections



### Diagram 3

Close lid

Ensure clips “C” and “D” align and click home

Lid now secured by clips, and ready to be screwed up by the 2 screws in the base, tighten screws to a torque of 0.4 Nm

Fitting complete

# PowerConnections

## SAN3 FITTING INSTRUCTIONS

### Right Angle Schuko



#### Diagram 1

Product received closed

Insert thumbs at "A" and "B" and pull open lid.

Product now ready to use, see diagram 2

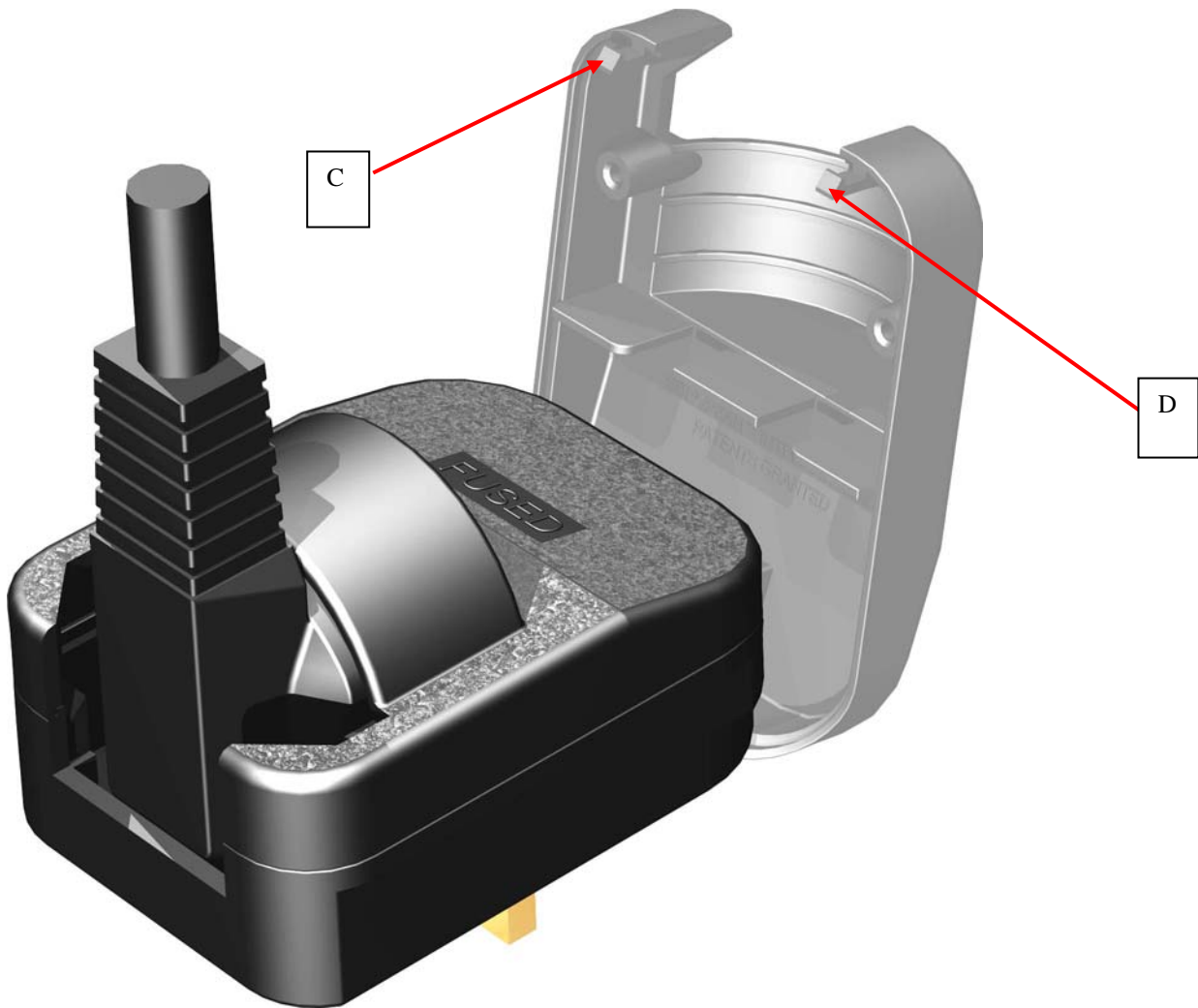
# PowerConnections



## Diagram 2

Get plug and install in to clips, and close lid aligning clips, see diagram 3.

# PowerConnections



### Diagram 3

Close lid

Ensure clips “C” and “D” align and click home, see diagram 4.

Lid now secured by clips, and ready to be screwed closed by the 2 screws in the base, tighten screws to a torque of 0.4 Nm

Fitting complete