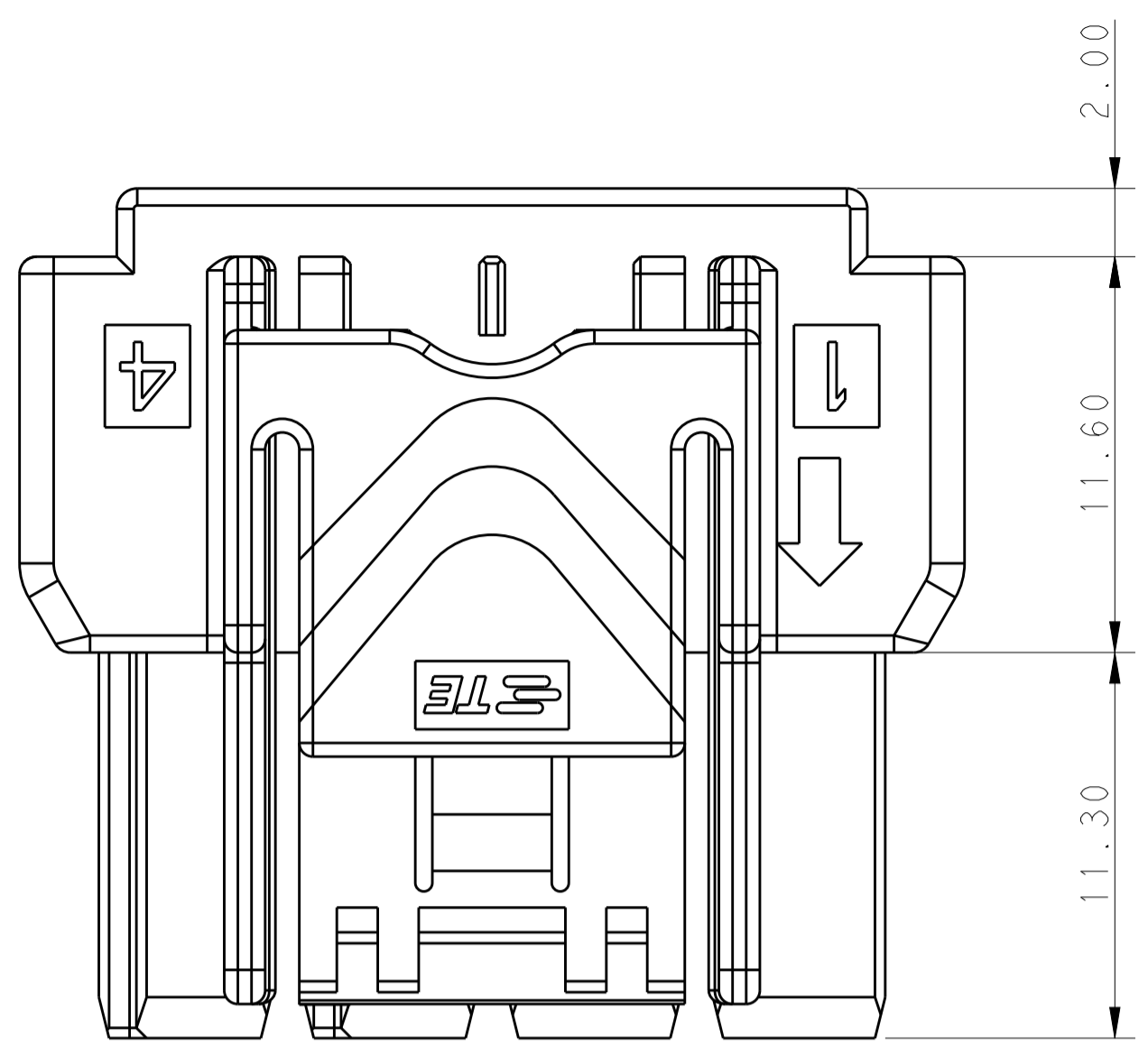
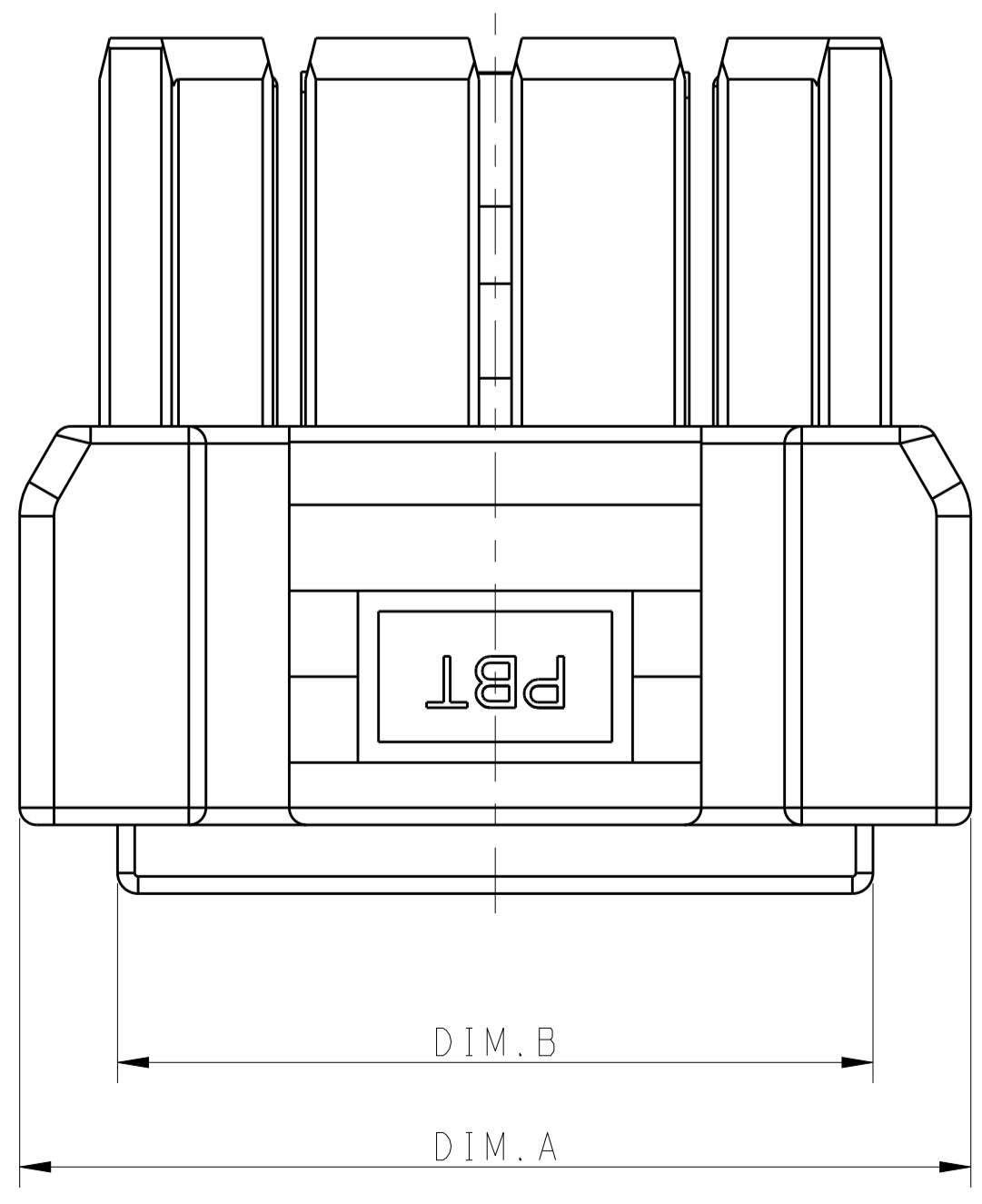
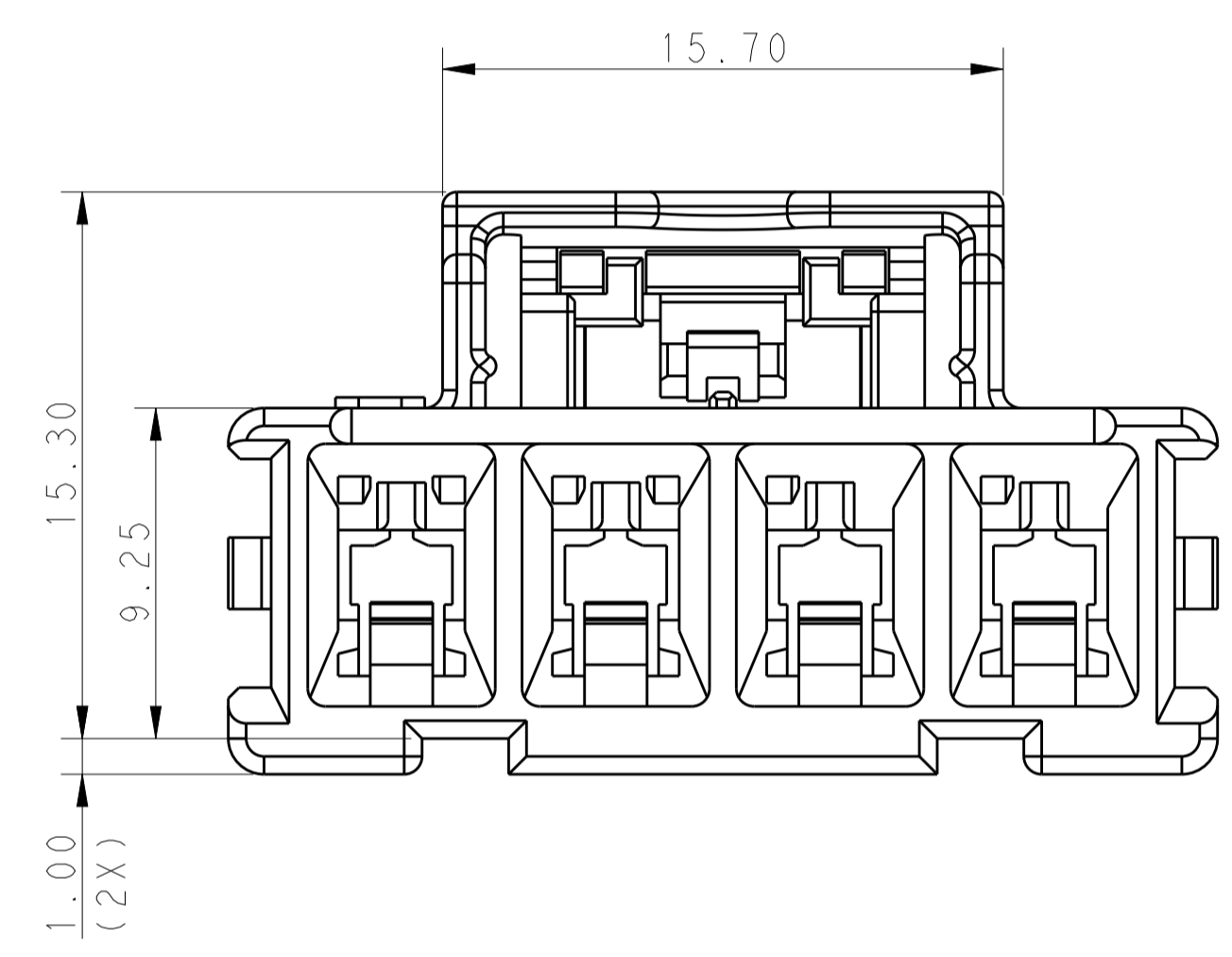
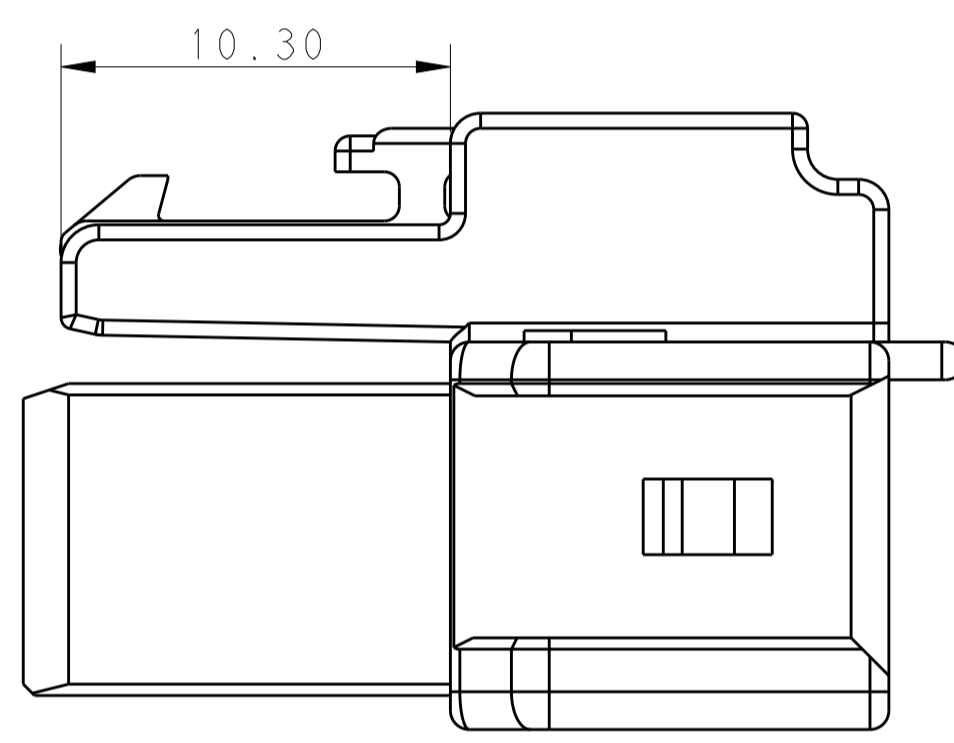
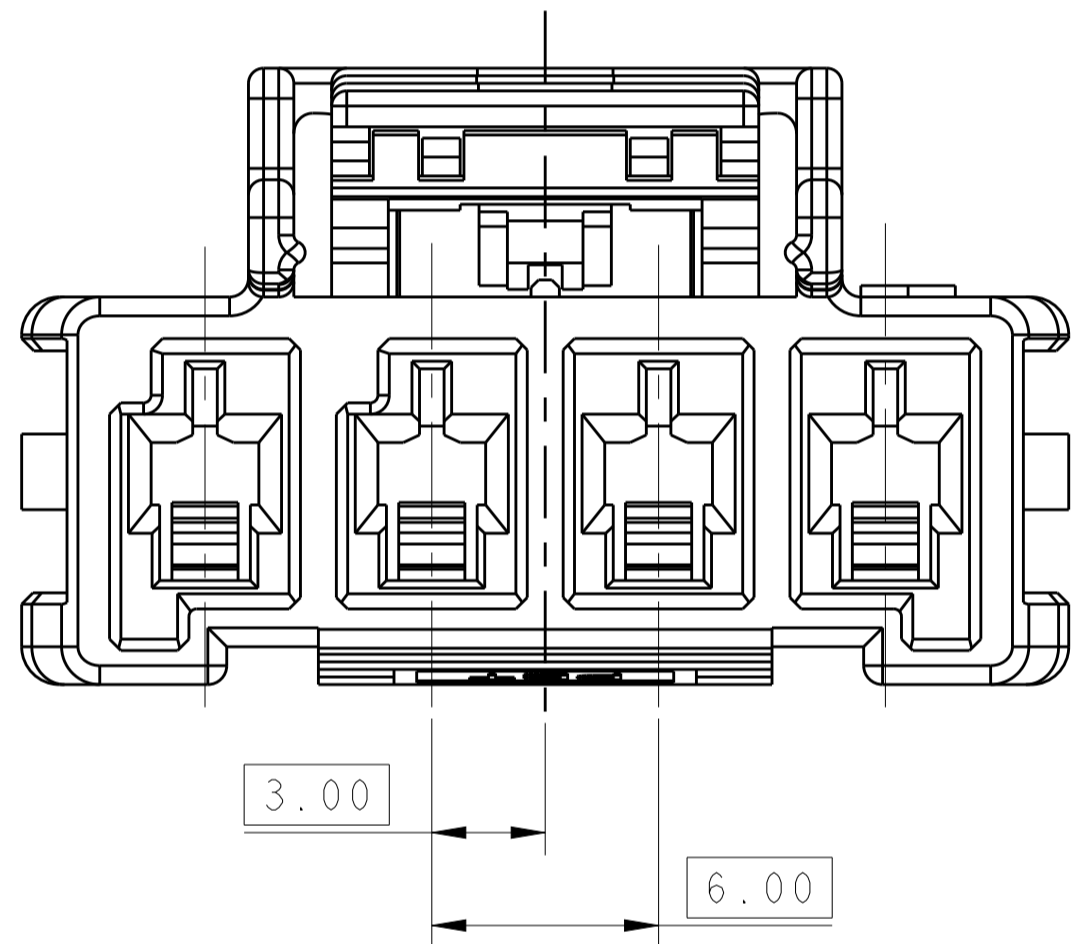


| LOC | | DIST | | REVISIONS | | | |
|-----|-----|-----------------|-----------|-----------|------|--|--|
| P | LTH | DESCRIPTION | DATE | DWN | APVD | | |
| A | | RELEASE DRAWING | 04FEB2013 | T.W | YH.M | | |
| A1 | | ECR-13-005295 | 26MAR2013 | T.W | YH.M | | |



| POS. | DIM. A | DIM. B |
|------|--------|--------|
| 1*5 | 33.70 | 28.00 |
| 1*4 | 27.70 | 22.00 |
| 1*3 | 21.70 | 16.00 |
| 1*2 | 15.70 | 10.00 |



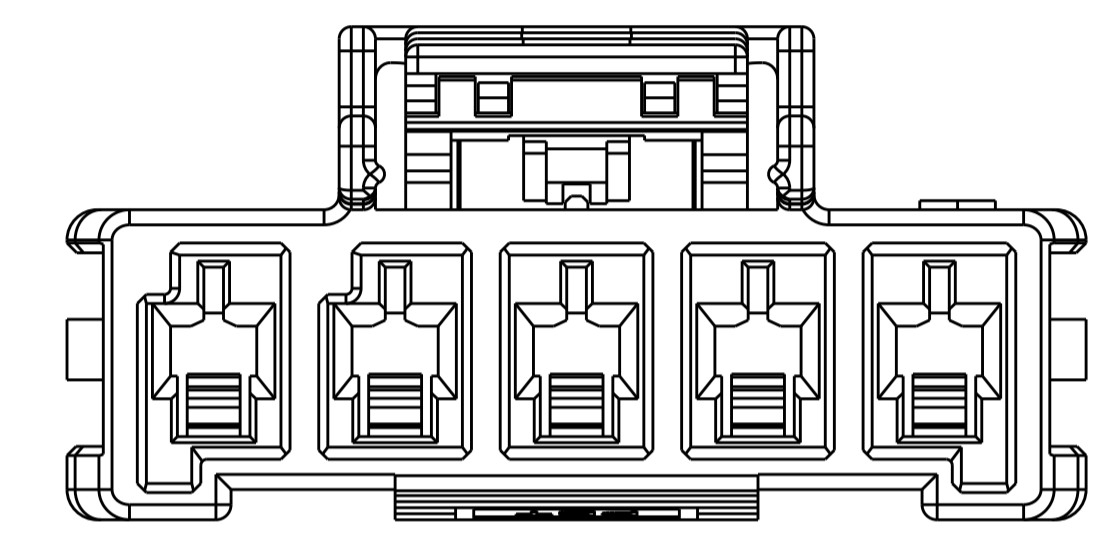
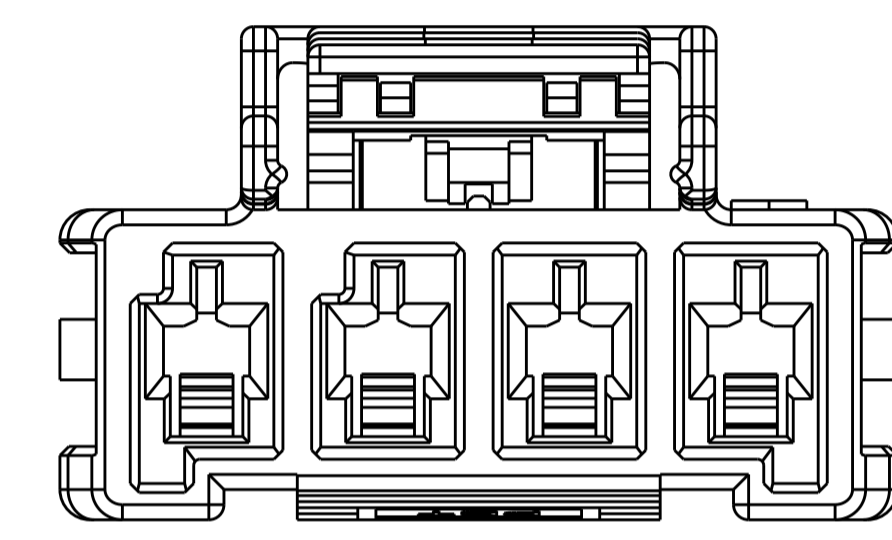
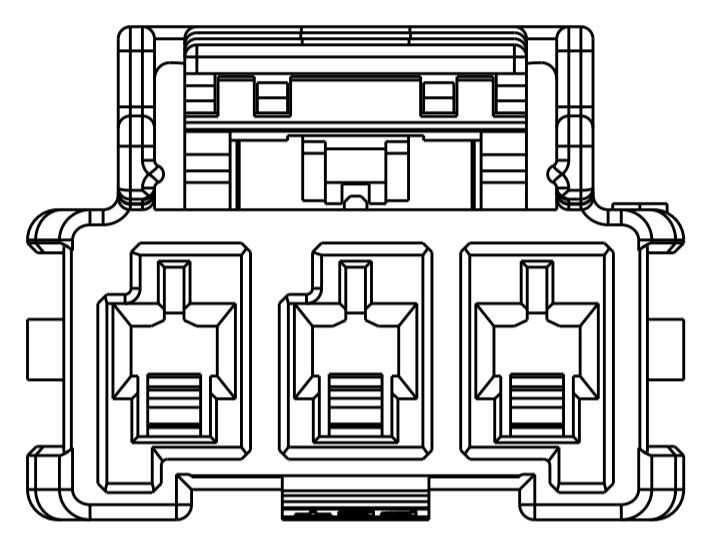
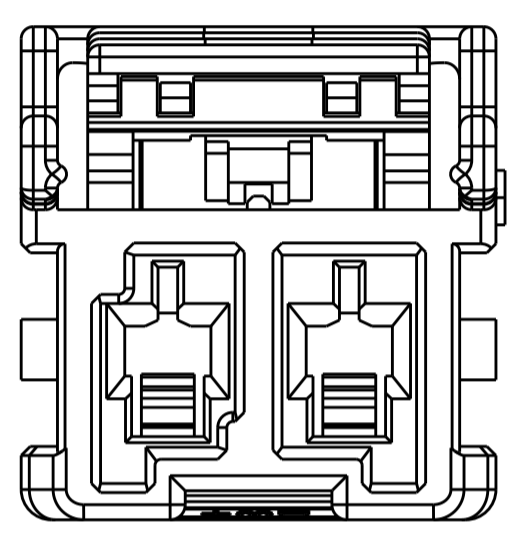
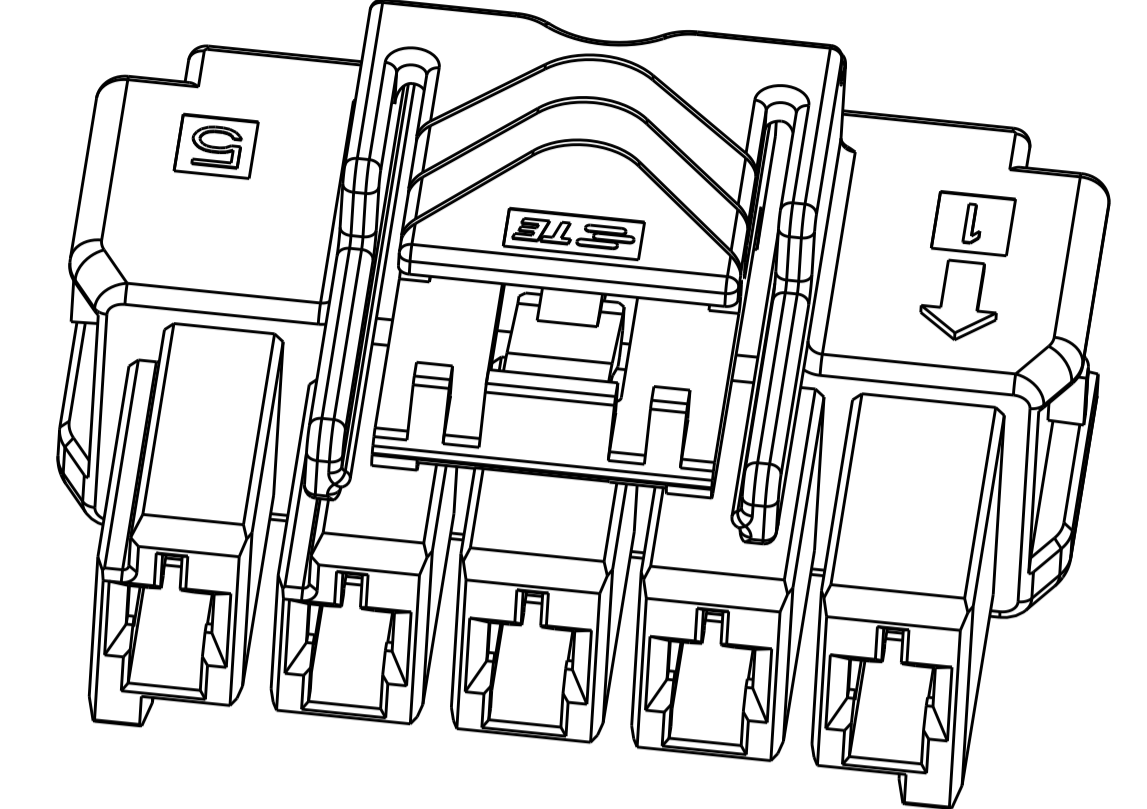
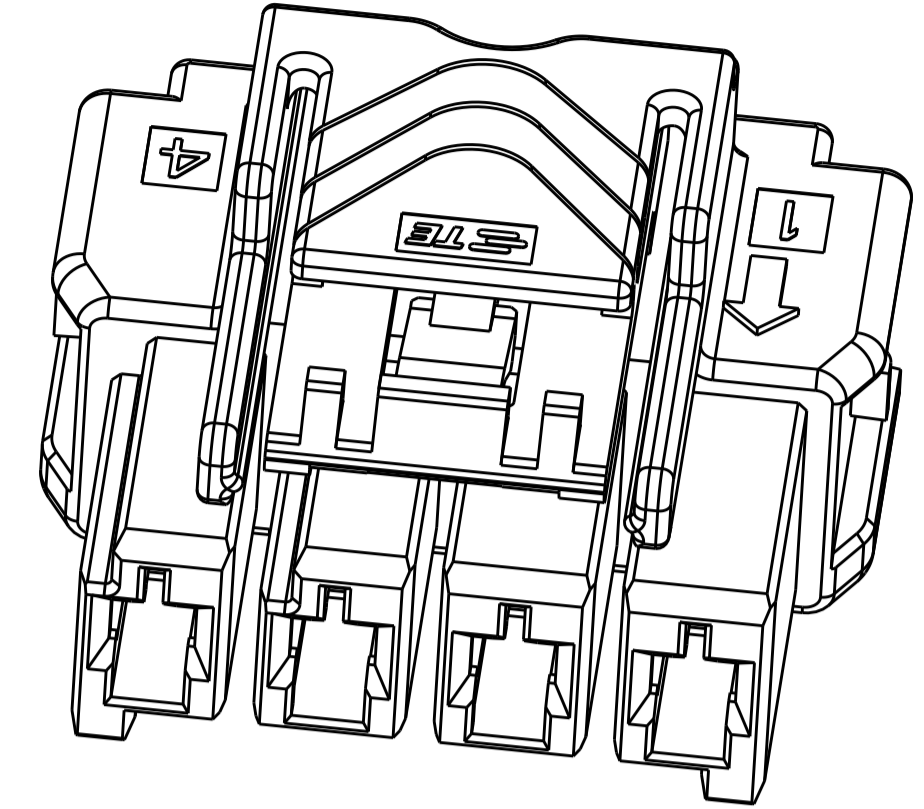
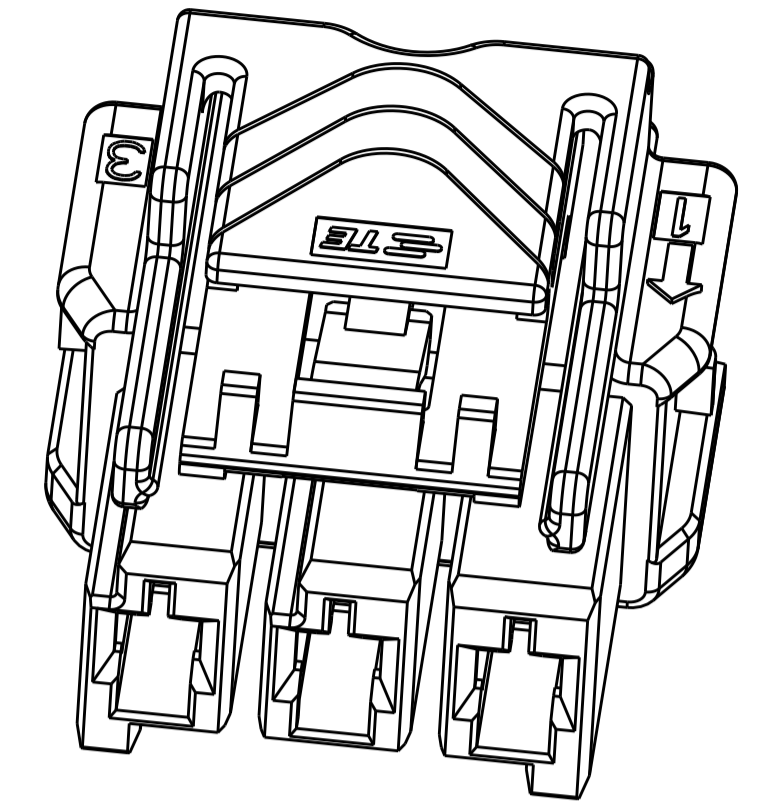
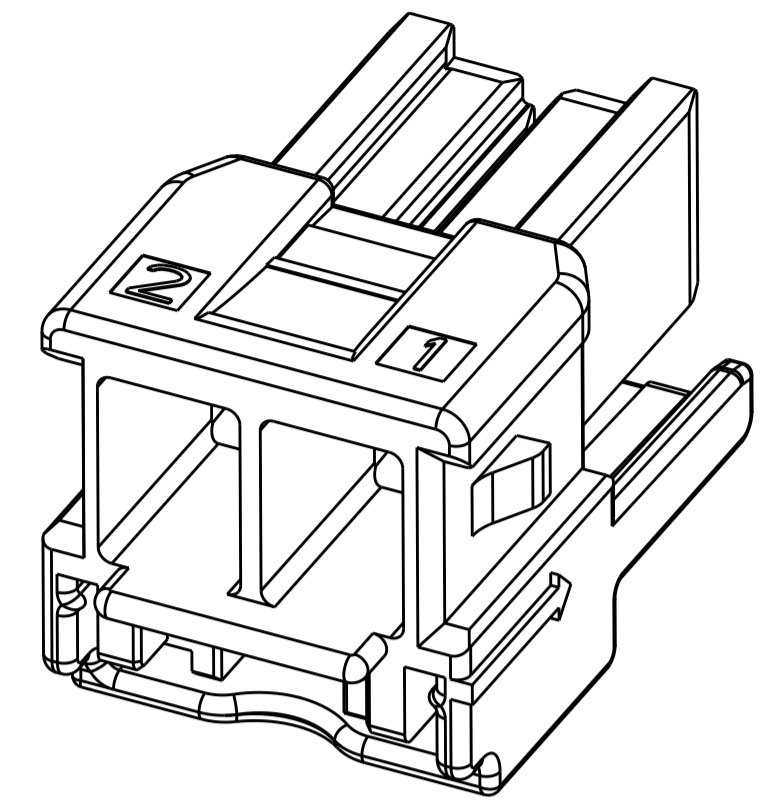
- NOTE
- MATERIAL:
 LEVEL 1:PBT,STANDARD
 KEY A:NATRUAL; KEY B:PURPLE; KEY C:BLUE; KEY D:YELLOW

 LEVEL 2:NYLON,HIGH TEMPERATURE 150°C
 KEY A:LIGHT GREY; KEY B:LIGHT GREY; KEY C:LIGHT GREY; KEY D:LIGHT GREY
 - MATERIAL MARK:
 LEVEL 1:PBT,LEVEL 2:HDT
 - APPLICABLE CONTACT P/N
 REC CONTACT:1971237/1971779/81/83/85/87-*
 - MATING CONN, P/N
 CAP HSG: *-1971771/2-
 DOUBLE LOCK PLATE: *-1971777-*
 - PRODUCT SPEC: 108-106118
 - APPLICATION SEPC:114-106118

1. This product has not completed validation testing.

| | | | | | |
|--|-------------|------------------|-------------|------------|-----------------|
| THIS DRAWING IS A CONTROLLED DOCUMENT. | | DWN | TOMMY_WU | 09JUL2012 | TE Connectivity |
| DIMENSIONS: | | CHK | HAPYE_WU | 09JUL2012 | |
| TOLERANCES UNLESS OTHERWISE SPECIFIED: | | APVD | YUZHONG_MAO | 09JUL2012 | NAME |
| mm | 0 PLC ±- | PRODUCT SPEC | | 108-106118 | |
| | 1 PLC ±0.35 | APPLICATION SPEC | | 114-106118 | |
| | 2 PLC ±0.25 | SIZE | CAGE CODE | DRAWING NO | RESTRICTED TO |
| | 3 PLC ±- | A1 | | 00779 | C=1971773 |
| | 4 PLC ±- | Customer Drawing | | SCALE | SHEET 1 OF 2 |
| | ANGLES ±- | | | REV | A1 |
| MATERIAL | FINISH | | | | |

| LOC | | DIST | | REVISIONS | | | |
|-----|-----|-------------|------|-----------|------|--|--|
| P | LTN | DESCRIPTION | DATE | DWN | APVD | | |
| - | - | SEE SHEET 1 | - | - | - | | |

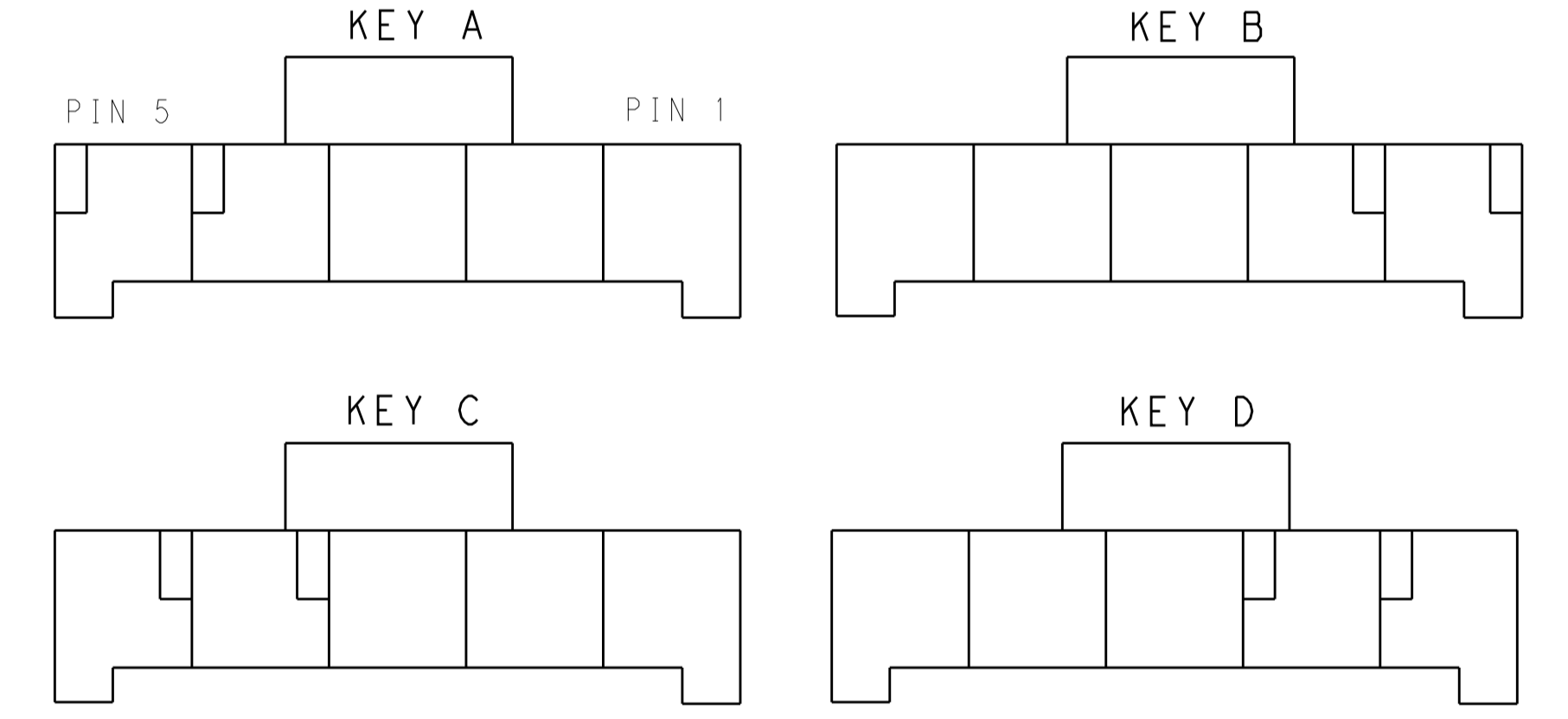
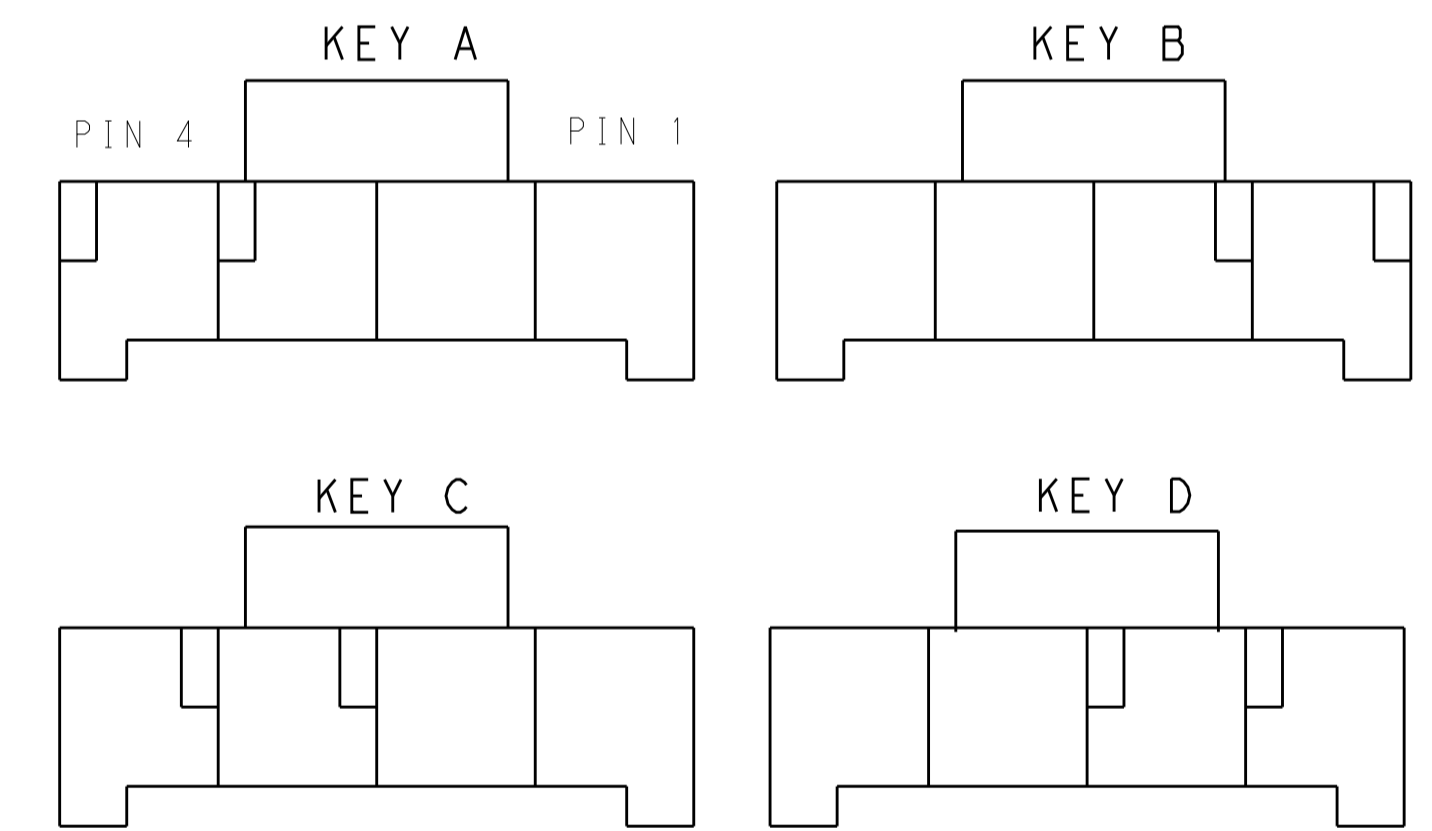
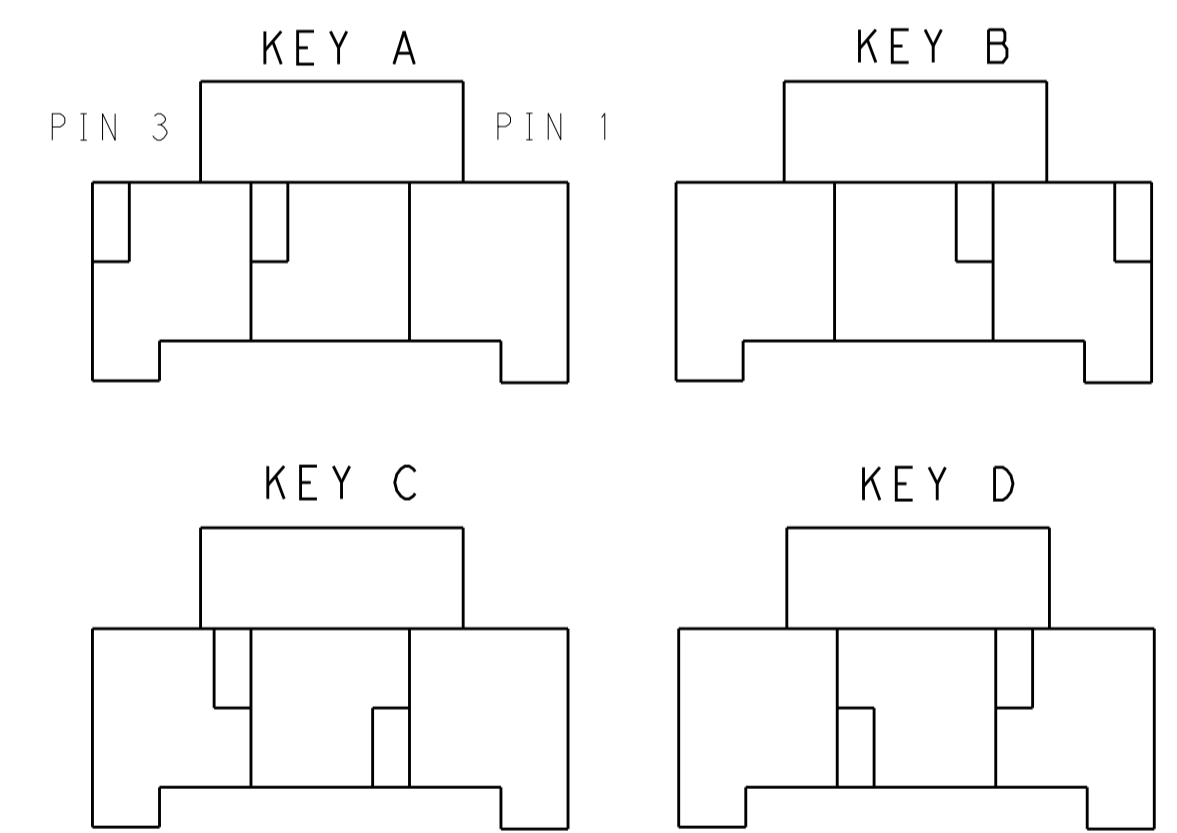
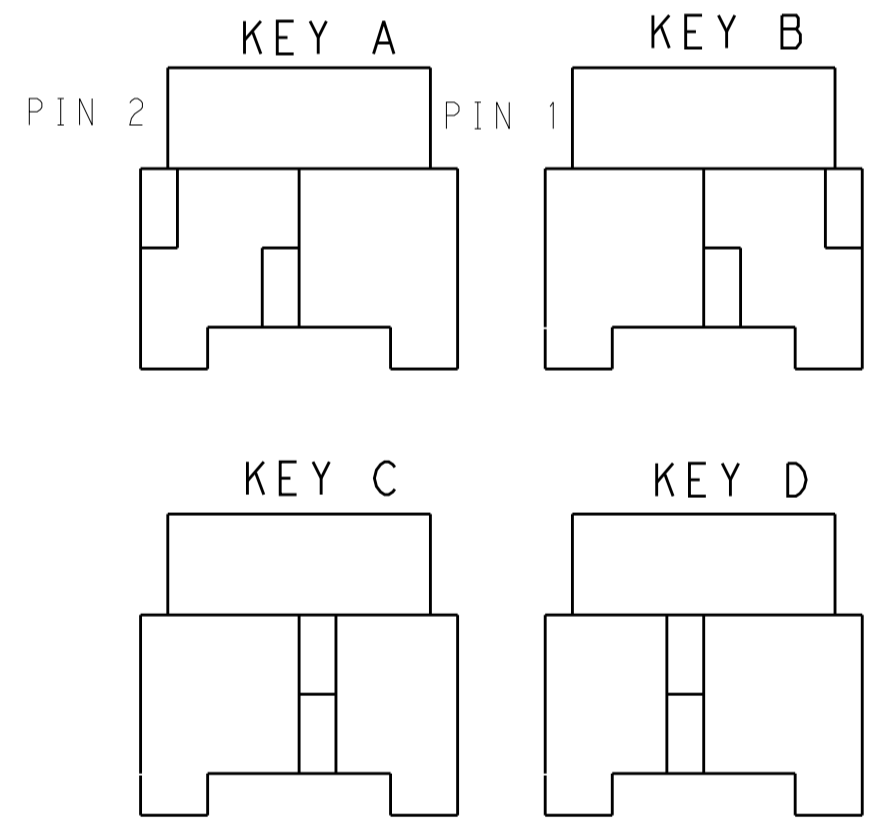


1*2 POSITIONS

1*3 POSITIONS

1*4 POSITIONS

1*5 POSITIONS



KEYING FOR 1*2 POS.

KEYING FOR 1*3 POS.

KEYING FOR 1*4 POS.

KEYING FOR 1*5 POS.

| POS. | MATERIAL | KEY | P/N |
|------|----------|-------|-------------|
| 1*3 | LEVEL 1 | KEY A | 1-1971773-3 |
| | | KEY B | 2-1971773-3 |
| | | KEY C | 3-1971773-3 |
| | | KEY D | 4-1971773-3 |
| | LEVEL 2 | KEY A | 5-1971773-3 |
| | | KEY B | 6-1971773-3 |
| | | KEY C | 7-1971773-3 |
| | | KEY D | 8-1971773-3 |
| 1*2 | LEVEL 1 | KEY A | 1-1971773-2 |
| | | KEY B | 2-1971773-2 |
| | | KEY C | 3-1971773-2 |
| | | KEY D | 4-1971773-2 |
| | LEVEL 2 | KEY A | 9-1971773-2 |
| | | KEY B | 6-1971773-2 |
| | | KEY C | 7-1971773-2 |
| | | KEY D | 8-1971773-2 |

| POS. | MATERIAL | KEY | P/N |
|------|----------|-------|-------------|
| 1*5 | LEVEL 1 | KEY A | 1-1971773-7 |
| | | KEY B | 2-1971773-7 |
| | | KEY C | 3-1971773-7 |
| | | KEY D | 4-1971773-7 |
| | LEVEL 2 | KEY A | 5-1971773-7 |
| | | KEY B | 6-1971773-7 |
| | | KEY C | 7-1971773-7 |
| | | KEY D | 8-1971773-7 |
| 1*4 | LEVEL 1 | KEY A | 1-1971773-4 |
| | | KEY B | 2-1971773-4 |
| | | KEY C | 3-1971773-4 |
| | | KEY D | 4-1971773-4 |
| | LEVEL 2 | KEY A | 5-1971773-4 |
| | | KEY B | 6-1971773-4 |
| | | KEY C | 7-1971773-4 |
| | | KEY D | 8-1971773-4 |

THIS DRAWING IS A CONTROLLED DOCUMENT.

DIMENSIONS: mm

TOLERANCES UNLESS OTHERWISE SPECIFIED:

| | |
|--------|-------|
| 0 PLC | ± |
| 1 PLC | ±0.35 |
| 2 PLC | ±0.25 |
| 3 PLC | ± |
| 4 PLC | ± |
| ANGLES | ± |
| FINISH | ± |

MATERIAL: -

FINISH: -

Customer Drawing

DWN: TOMMY WU 09JUL2012
CHK: HAPYE WU 09JUL2012
APVD: YUHONG MAO 09JUL2012

NAME: PLUG HOUSING, SINGLE ROW POWER TRIPLE LOCK

PRODUCT SPEC: 108-106118
APPLICATION SPEC: 114-106118

SIZE: A1
CAGE CODE: 100779
DRAWING NO: 1971773

RESTRICTED TO: -

SCALE: - SHEET 2 OF 2 REV A1

TE Connectivity