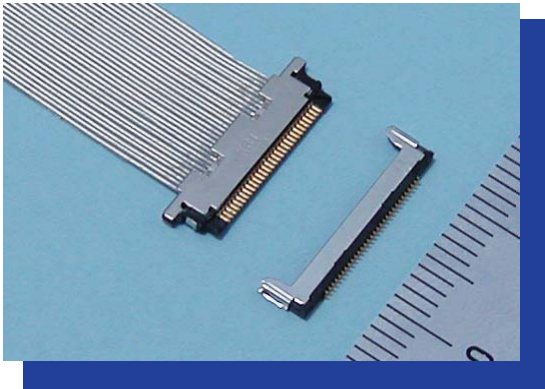


CABLINE[®] V

0.4mm Pitch Horizontal Type



- Ultra low profile : 1.0mm maximum of mating height
- Mating depth : 5.65mm, Connector width : 16.8mm (30p)
- Impedance matching and EMI performance with METAL SHELL
- Stable mating with housing lock mechanism.
- Soldering connection

【Number of Position】

10p, 15p, 20p, 25p, 30p, 35p, 40p

【Ordering Code】

PLUG Connector Set (for Cable)

Parts Ordering (HOUSING)

20346- 0 ** T- * 2
① ② ③

Parts Ordering (SHELL A)

2047-0 ** *
① ④

RECEPTACLE Connector Set
(for PC Board)

20347- * ** E- * *
① ② ③ ④ ⑤

【Material / Finish】

| Product | Parts | Material | Plating / Color |
|------------|---------|-----------------|-----------------|
| PLUG | HOUSING | LCP UL94V-0 | BLACK |
| | CONTACT | COPPER ALLOY | Au |
| | SHELL A | STAINLESS STEEL | Sn-Cu or Sn |
| | SHELL B | COPPER ALLOY | Sn-Cu or Sn |
| RECEPTACLE | HOUSING | LCP UL94V-0 | BLACK |
| | CONTACT | COPPER ALLOY | Au |
| | SHELL | COPPER ALLOY | Sn-Cu or Sn |

【Applicable Cable Size】

| | |
|----------|--------------|
| SGC | AWG #40, #42 |
| TWINCOAX | AWG #40 |
| DISCRETE | AWG #36 |

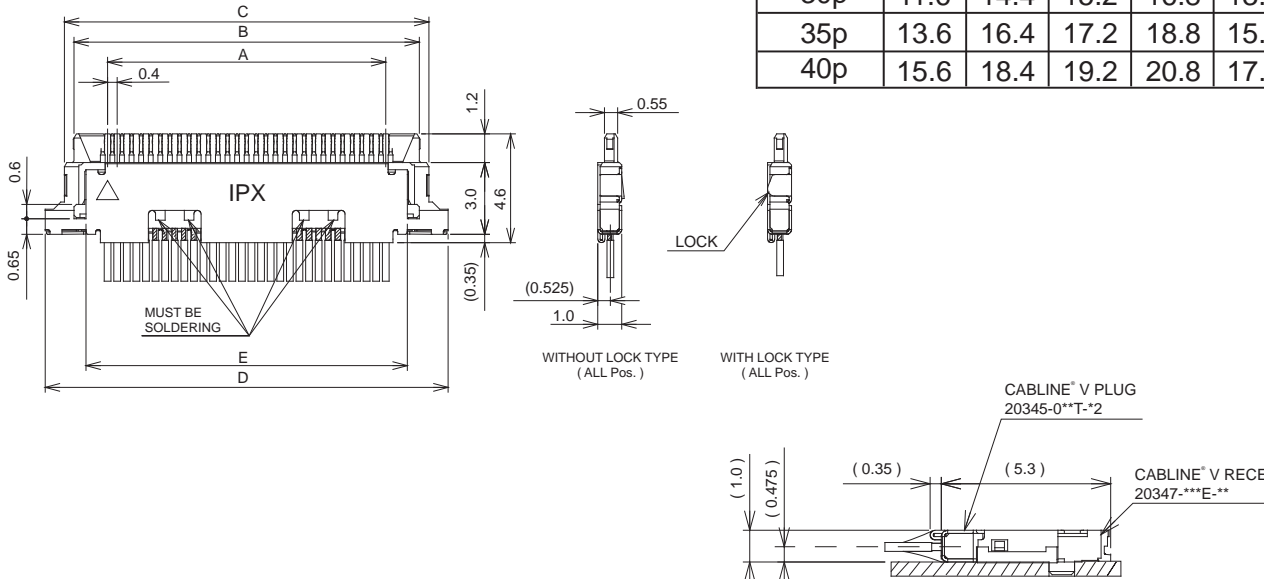
| | | | | |
|---|--------------------------|---|-------|--------------|
| ① | POS. | 10:10pos. 15:15pos. 20:20pos. 25:25pos. 30:30pos. 35:35pos. 40:40pos. | | |
| ② | Packaging | T | Tray | |
| ③ | SHELL B Plating and Lock | 0 | Sn-Cu | Without LOCK |
| | | 1 | Sn | Without LOCK |
| | | 2 | Sn-Cu | With LOCK |
| | | 3 | Sn | With LOCK |
| ④ | SHELL A Plating | 1 | Sn-Cu | |
| | | 3 | Sn | |

| | | | | |
|---|------------------------|---|-------------|--------------|
| ① | SHELL Plating and Lock | 0 | Sn-Cu | Without LOCK |
| | | 1 | Sn | Without LOCK |
| | | 2 | Sn-Cu | With LOCK |
| | | 3 | Sn | With LOCK |
| ② | POS. | 10:10pos. 15:15pos. 20:20pos. 25:25pos. 30:30pos. 35:35pos. 40:40pos. | | |
| ③ | Packaging | E | Emboss Tape | |
| ④ | Nickel Barrier | 0 | Without | |
| | | 1 | With | |
| ⑤ | BOSS | 1 | With | |
| | | 2 | Without | |

PLUG

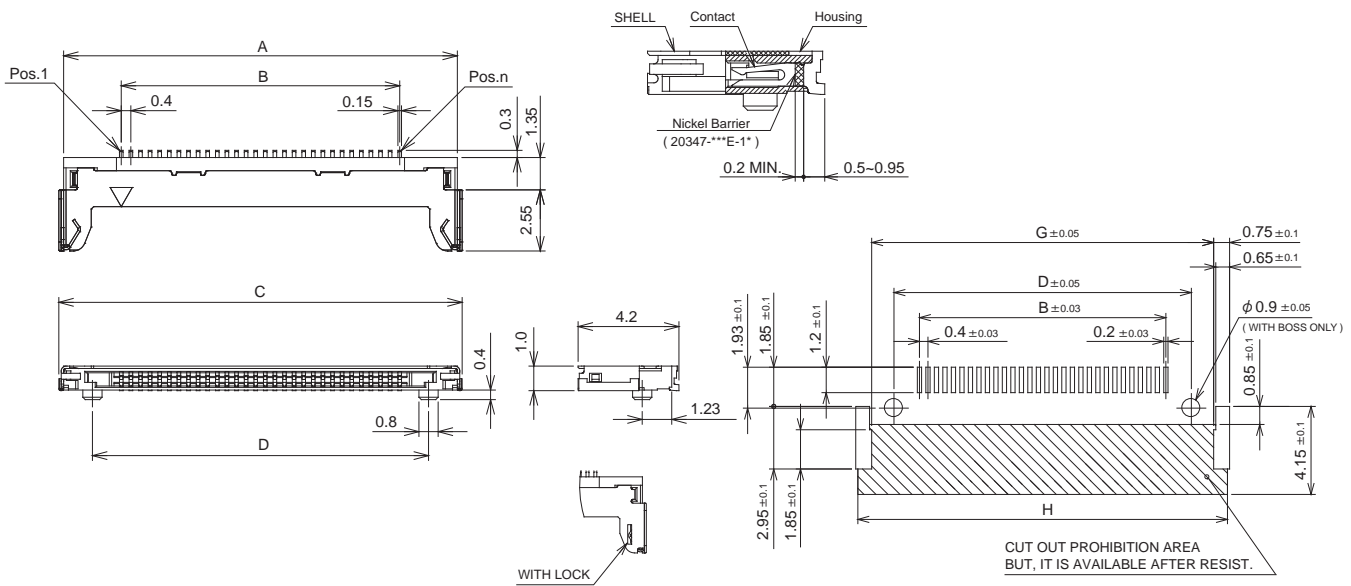
Set P/N : 20345-0**T-*2

| POS. | A | B | C | D | E |
|------|------|------|------|------|------|
| 10p | 3.6 | 6.4 | 7.2 | 8.8 | 5.4 |
| 15p | 5.6 | 8.4 | 9.2 | 10.8 | 7.4 |
| 20p | 7.6 | 10.4 | 11.2 | 12.8 | 9.4 |
| 25p | 9.6 | 12.4 | 13.2 | 14.8 | 11.4 |
| 30p | 11.6 | 14.4 | 15.2 | 16.8 | 13.4 |
| 35p | 13.6 | 16.4 | 17.2 | 18.8 | 15.4 |
| 40p | 15.6 | 18.4 | 19.2 | 20.8 | 17.4 |



RECEPTACLE

| POS. | PART NO. | A | B | C | D | G | H |
|------|---------------|------|------|------|------|------|------|
| 10p | 20347-*10E-** | 8.4 | 3.6 | 8.8 | 6.0 | 8.1 | 9.4 |
| 15p | 20347-*15E-** | 10.4 | 5.6 | 10.8 | 8.0 | 10.1 | 11.4 |
| 20p | 20347-*20E-** | 12.4 | 7.6 | 12.8 | 10.0 | 12.1 | 13.4 |
| 25p | 20347-*25E-** | 14.4 | 9.6 | 14.8 | 12.0 | 14.1 | 15.4 |
| 30p | 20347-*30E-** | 16.4 | 11.6 | 16.8 | 14.0 | 16.1 | 17.4 |
| 35p | 20347-*35E-** | 18.4 | 13.6 | 18.8 | 16.0 | 18.1 | 19.4 |
| 40p | 20347-*40E-** | 20.4 | 15.6 | 20.8 | 18.0 | 20.1 | 21.4 |



RECOMMENDED PATTERN LAYOUT