

# BRUSHLESS DC geared motors

## → 80 Watts with right-angle gearbox

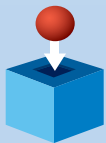
- Output perpendicular to motor,
- Ideal for low reduction ratios,
- Ideal for applications needing a compact motor,
- Silent operation,
- Mechanically irreversible with high ratios.



### Specifications

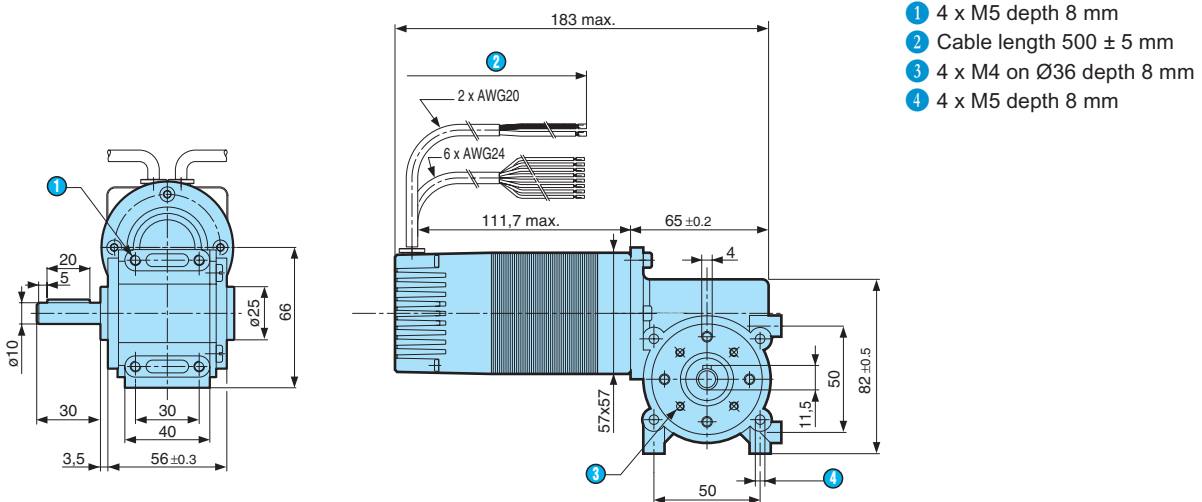
| Ratios (i)                          | Output speed (rpm) | Available torque (N.m) | 80 Watts PWM control |            | 80 Watts 0-10 V control |            |
|-------------------------------------|--------------------|------------------------|----------------------|------------|-------------------------|------------|
| 5                                   | 650                | 1,0                    | 80 181 001           | 80 181 010 | 80 181 010              | 80 181 010 |
| 10                                  | 325                | 1,7                    | 80 181 002           | 80 181 011 | 80 181 011              | 80 181 011 |
| 20                                  | 163                | 2,9                    | 80 181 003           | 80 181 012 | 80 181 012              | 80 181 012 |
| 30                                  | 108                | 3,5                    | 80 181 004           | 80 181 013 | 80 181 013              | 80 181 013 |
| 50                                  | 65                 | 3,4                    | 80 181 006           | 80 181 015 | 80 181 015              | 80 181 015 |
| General characteristics             |                    |                        | 80 180               |            | 80 180                  |            |
| Motor                               |                    |                        | 80 180               | 80 180     | 80 180                  | 80 180     |
| Speed control                       |                    |                        | PWM                  | PWM        | 0-10 V                  | 0-10 V     |
| Axial load dynamic (daN)            |                    |                        | 10                   | 10         | 100                     | 100        |
| Radial load dynamic (daN)           |                    |                        | 15                   | 15         | 150                     | 150        |
| Temperature rise at 50 % cycle (°C) |                    |                        | 45                   | 45         | 45                      | 45         |
| Weight (g)                          |                    |                        | 1 920                | 1 920      | 1 920                   | 1 920      |

### Product adaptations



- 2 quadrant speed regulation,
- Motors with hall effect sensors only,
- Adaptations on electronics,
- Special cable lengths,
- Special connectors fitted to the cable.

### Dimensions



### User information

Respect the limits and precautions of use written in the 80 W motor section.  
 Continuous operation may cause overheating of the gearbox.  
 This gearbox is recommended for applications where the on time does not exceed 50 % of the time, please consult us.