

### Features and Benefits

- Gives automatic protection against a vacuum forming in hot water installation
- Solid brass body for long life
- Easy access to the internals from the top of the valve
- Quick and simple to service



### Description

A compact range of Anti-Vacuum Valves for use with hot water heaters to prevent a vacuum forming in installations where there is the potential for the draw off rate to exceed the rate of flow to the inlet; this can occur in properties with multiple outlets below the base of the hot water heater. The valves contain a check cartridge which, under normal conditions, is held closed by the system pressure, but when a vacuum condition arises the suction will cause the check cartridge to open and air to flow through, equalising the pressure within the hot water heater.

# AUTOMATIC ANTI-VACUUM VALVES

## Specification Sheet



The Safety Valve Specialist

### Specifications

Maximum working pressure 16bar  
 Maximum Temperature:  
 ADMT 503 001 99°C  
 ADMT 503 010, 004, 005 60°C  
 Opening Pressure 0.05bar

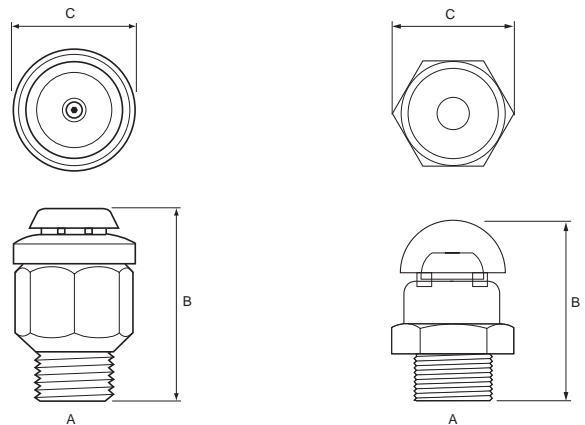
### Approvals

WRAS I106038

### Product Codes

ADMT 503 001 1/2" MBSP Automatic Anti-Vacuum Valve  
 ADMT 503 010 3/4" MBSP Automatic Anti-Vacuum Valve  
 ADMT 503 004 15mm Automatic Anti-Vacuum Valve  
 ADMT 503 005 22mm Automatic Anti-Vacuum Valve

### Dimensions



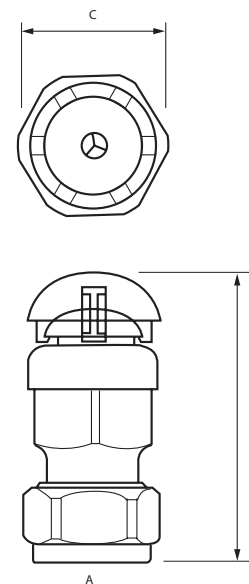
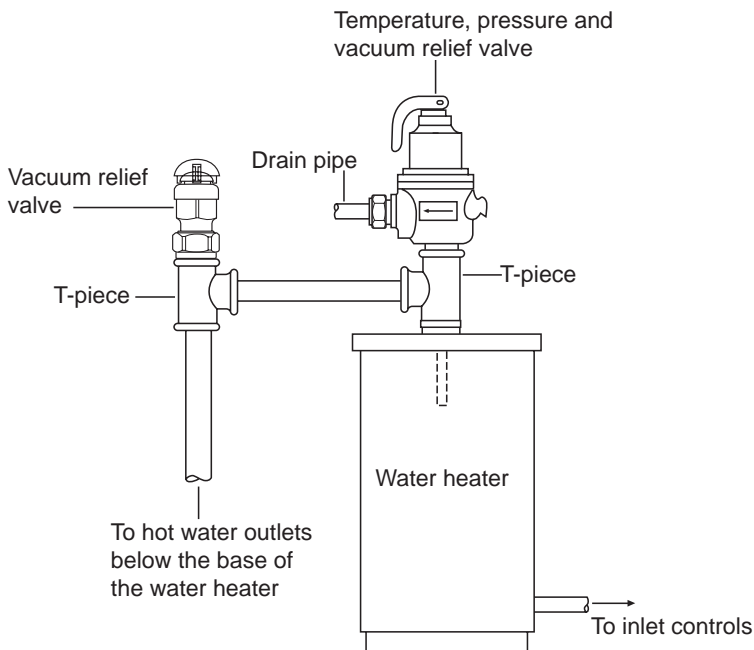
ADMT 503 001

ADMT 503 010

Product Code	A	B	C
ADMT 503 001	1/2" MBSP	49	32
ADMT 503 010	3/4" MBSP	45	34

All dimensions shown in mm unless otherwise stated

### Typical Installation



Product Code	A	B	C
ADMT 503 004	15mm	46	28
ADMT 503 005	22mm	49	36

All dimensions shown in mm unless otherwise stated

**Reliance Water Controls Ltd**  
 A Reliance Worldwide Company

Worcester Road, Evesham, Worcestershire, WR11 4RA, UK. UK – Freephone: 0800 389 5931  
 Freefax: 0800 389 5932 Outside UK – Tel: +44 (0)1386 712400 Fax: +44 (0)1386 712401 Email: sales@rwc.co.uk

[www.rwc.co.uk](http://www.rwc.co.uk)