

TPR15 and TPR22 ranges

Features and Benefits

- Protects against temperature rising beyond 95°C
- Prevents over pressurisation
- Twist top cartridge design
- Range of different pressure settings
- Complete with PTFE coating (some models)



Description

Compact pressure and temperature relief valves designed to provide protection against over pressurisation, which can occur within an unvented hot water system if the input temperature or pressure controls fail. The valves are designed to be fitted to the upper portion of a hot water cylinder as this is where the hottest temperatures in the system will be found. If the system rises above 95°C, the wax mixture within the element of the temperature probe will expand, this will lift the valve off its seat and release water to waste, therefore reducing the pressure within the cylinder. Also if the water pressure increases (without temperature increase) the valve will stay closed until the set pressure of the relief mechanism is reached, at which point the valve will again open and the excess pressure is relieved. Some models come complete with a PTFE coating on the MBSP inlet thread which can save valuable time on installation.

PRESSURE AND TEMPERATURE RELIEF VALVES

Specification Sheet



The Safety Valve Specialist

Specifications

| | |
|-----------------------------|---------|
| Temperature relief | 90-95°C |
| Pressure relief tolerance | +/-5% |
| kW rating: TPR15 range | 10kW |
| TPR22 range | 25kW |
| Maximum ambient temperature | 100°C |
| Short probe length | 30mm |
| Standard probe length | 95mm |
| Long probe length | 200mm |

Approvals

WRAS No. 0910311

Standards

BS EN 1490

Product Codes

TPR15 Pressure & Temperature Relief Valves

Code Connection size Pre-set pressure setting

Standard Probe

| | | |
|--------------|---------------|------------------|
| PTEM 550 852 | ½"MBSP x 15mm | 7bar w/o PTFE |
| PTEM 550 853 | ½"MBSP x 15mm | 10bar with PTFE |
| PTEM 550 854 | ½"MBSP x 15mm | 7bar with PTFE |
| PTEM 550 855 | ½"MBSP x 15mm | 4bar with PTFE |
| PTEM 550 856 | ½"MBSP x 15mm | 4.5bar with PTFE |
| PTEM 550 857 | ½"MBSP x 15mm | 6bar with PTFE |
| PTEM 550 954 | 15mm x 15mm | 7bar |

Short Probe

PTEM 550 870 ½"MBSP x 15mm 7bar w/o PTFE

Long Probe

| | | |
|--------------|---------------|----------------|
| PTEM 550 951 | ½"MBSP x 15mm | 7bar w/o PTFE |
| PTEM 550 953 | 15mm x 15mm | 7bar |
| PTEM 550 955 | ½"MBSP x 15mm | 10bar w/o PTFE |

TPR22 Pressure & Temperature Relief Valves

Code Connection size Pre-set pressure setting

Standard Probe

| | | |
|--------------|---------------|-----------------|
| PTEM 575 200 | ¾"MBSP x 22mm | 4.5bar w/o PTFE |
| PTEM 575 205 | ¾"MBSP x 22mm | 7bar w/o PTFE |
| PTEM 575 210 | ¾"MBSP x 22mm | 10bar w/o PTFE |

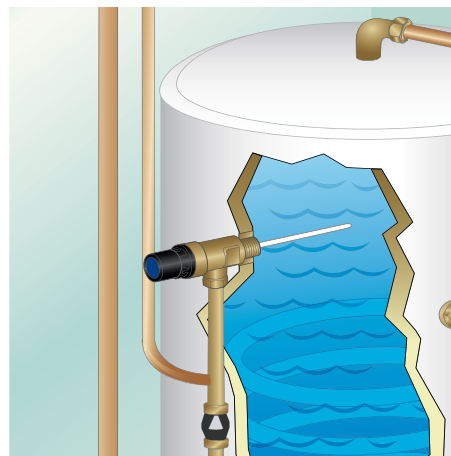
Short Probe

PTEM 575 870 ¾"MBSP x 22mm 7bar w/o PTFE

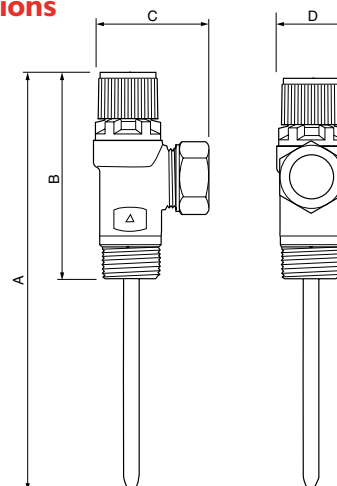
Long Probe

PTEM 575 250 ¾"MBSP x 22mm 7bar w/o PTFE

Typical installation



Dimensions



| Product Code | A | B | C | D |
|--------------|-----|----|----|----|
| PTEM 550 852 | 187 | 88 | 49 | 31 |
| PTEM 550 853 | 187 | 88 | 49 | 31 |
| PTEM 550 854 | 187 | 88 | 49 | 31 |
| PTEM 550 855 | 187 | 88 | 49 | 31 |
| PTEM 550 856 | 187 | 88 | 49 | 31 |
| PTEM 550 857 | 187 | 88 | 49 | 31 |
| PTEM 550 954 | 187 | 88 | 49 | 31 |
| PTEM 550 870 | 124 | 88 | 49 | 31 |
| PTEM 550 951 | 291 | 88 | 49 | 31 |
| PTEM 550 953 | 291 | 88 | 49 | 31 |
| PTEM 550 955 | 291 | 88 | 49 | 31 |
| PTEM 575 200 | 187 | 98 | 52 | 31 |
| PTEM 575 205 | 187 | 98 | 52 | 31 |
| PTEM 575 210 | 187 | 98 | 52 | 31 |
| PTEM 575 870 | 124 | 98 | 52 | 31 |
| PTEM 575 250 | 291 | 98 | 52 | 31 |

All dimensions shown in mm unless otherwise stated

Reliance Water Controls Ltd

A Reliance Worldwide Company

Worcester Road, Evesham, Worcestershire, WR11 4RA, UK. UK – Freephone: 0800 389 5931
 Freefax: 0800 389 5932 Outside UK – Tel: +44 (0)1386 712400 Fax: +44 (0)1386 712401 Email: sales@rwc.co.uk

www.rwc.co.uk