

THIS DRAWING IS UNPUBLISHED.

RELEASED FOR PUBLICATION

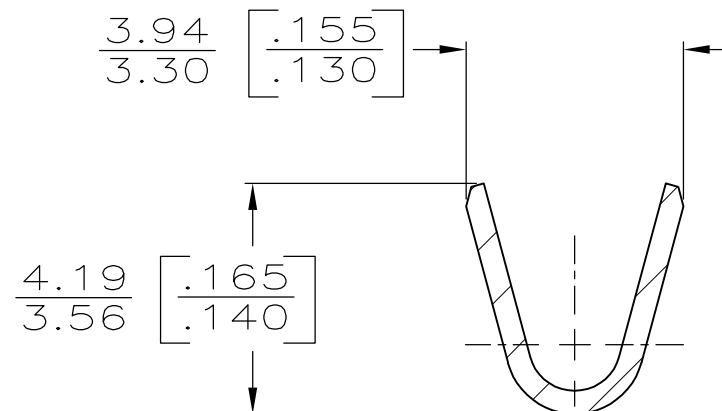
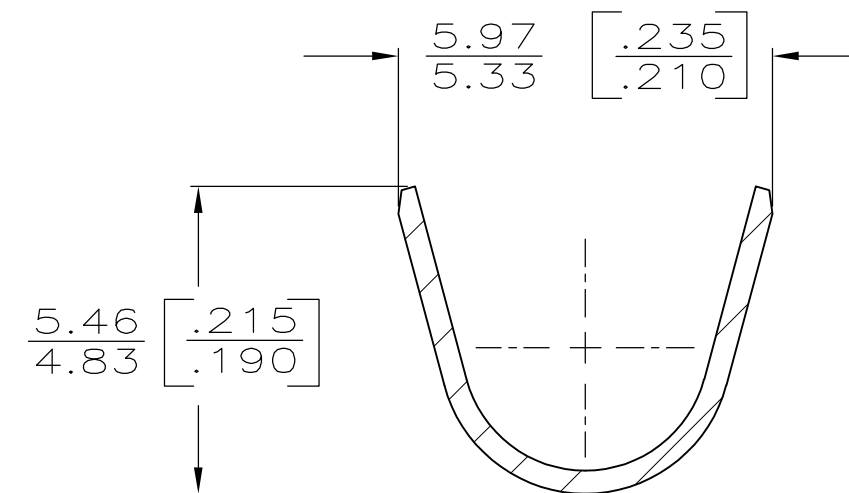
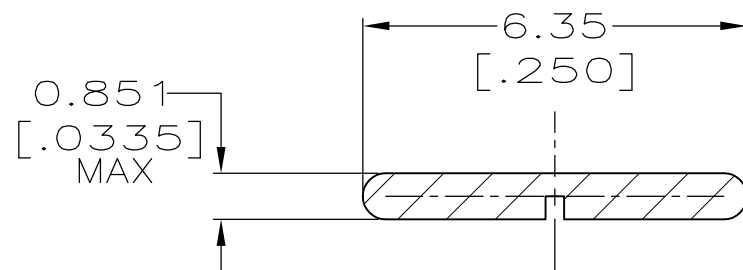
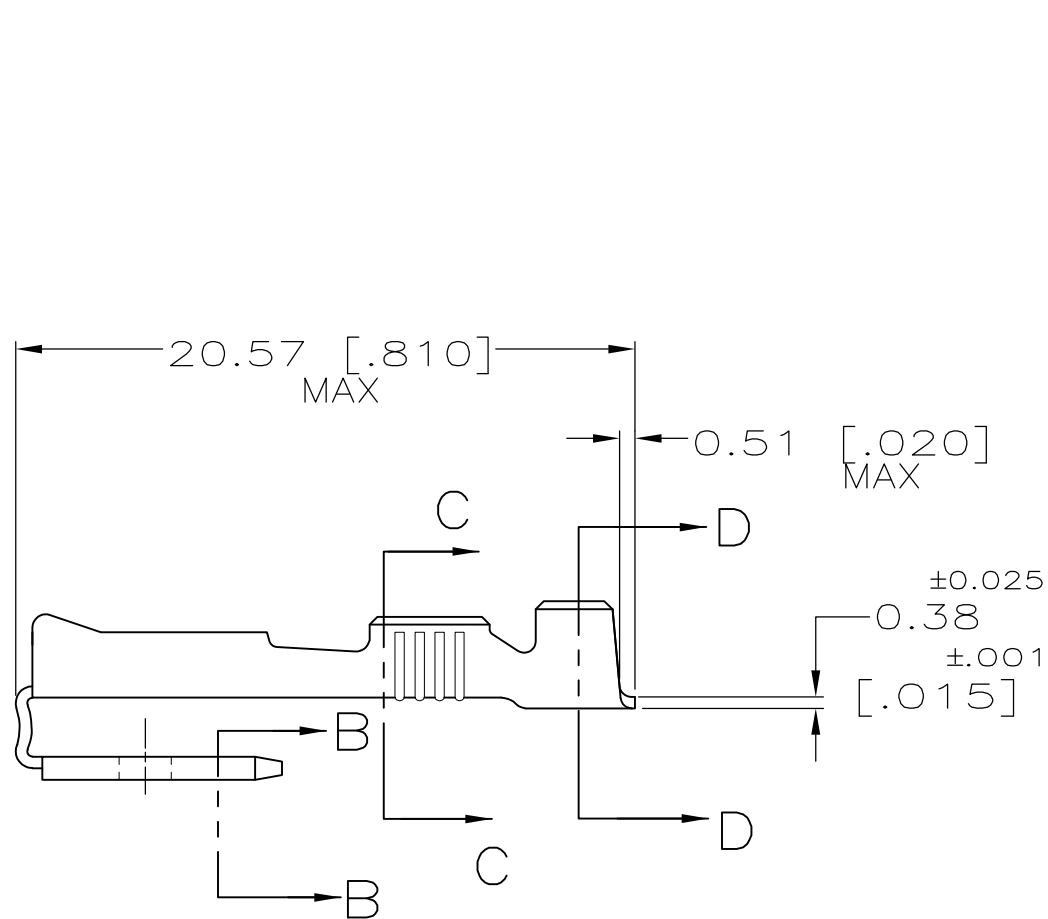
ALL RIGHTS RESERVED.

LOC AF DIST 50

REVISIONS

P	LTR	DESCRIPTION	DATE	DWN	APVD
	B	REVISED PER ECR-12-013445	18OCT12	KH	PD

1 SUPPLIED IN LOOSE PIECE.



3.05-4.32 DIA [.120-.170] DIA	[#18-#14] AWG	TIN	60279-2
INSUL RANGE	WIRE SIZE	-	60279-1
		FINISH	PART NO

THIS DRAWING IS A CONTROLLED DOCUMENT.

DIMENSIONS: mm [INCHES]	TOLERANCES UNLESS OTHERWISE SPECIFIED:
	0 PLC ± -
	1 PLC ± -
	2 PLC ± 0.25 [.010]
	3 PLC ± -
	4 PLC ± -
	ANGLES ± -

MATERIAL BRASS	FINISH SEE TABLE
-------------------	---------------------

DWN JR RUTH 11/17/93	NAME RECEPTACLE, FASTON, 6.35 [.250] SERIES
CHK MS FEHER 11/17/93	
APVD J GILLESPIE 11/17/93	
PRODUCT SPEC -	
APPLICATION SPEC 114-2036	SIZE A3
WEIGHT -	CAGE CODE 00779
CUSTOMER DRAWING	DRAWING NO C-60279

STE TE Connectivity	
RESTRICTED TO -	SCALE 4:1
SHEET 1 OF 1	REV B