

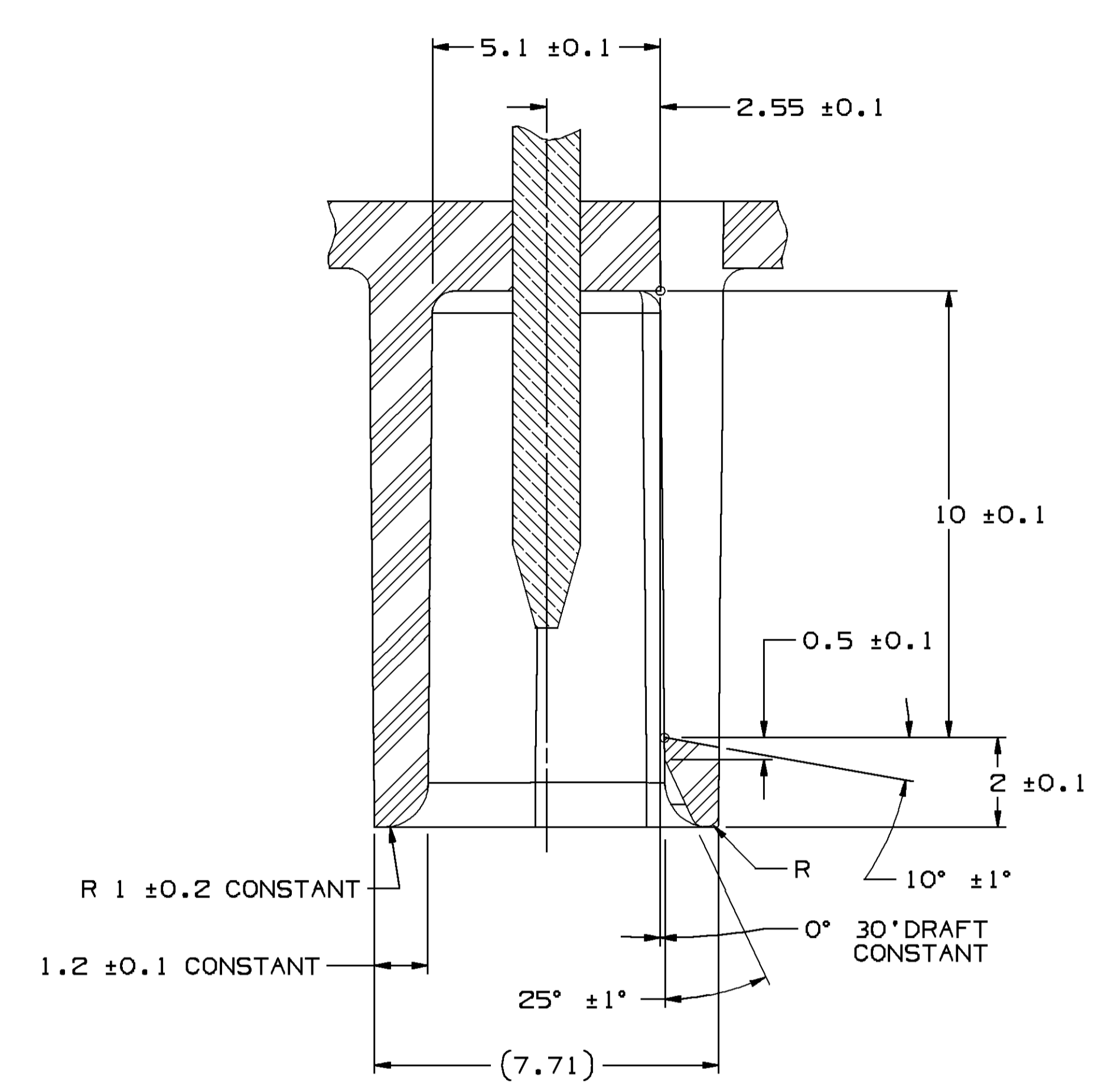
RECOMMENDED MATERIAL:
P-1546 (CA210) BRASS-EXTRA
SPRING TEMPER-TIN PLATED

PLATING THICKNESS: 0.003-0.005MM

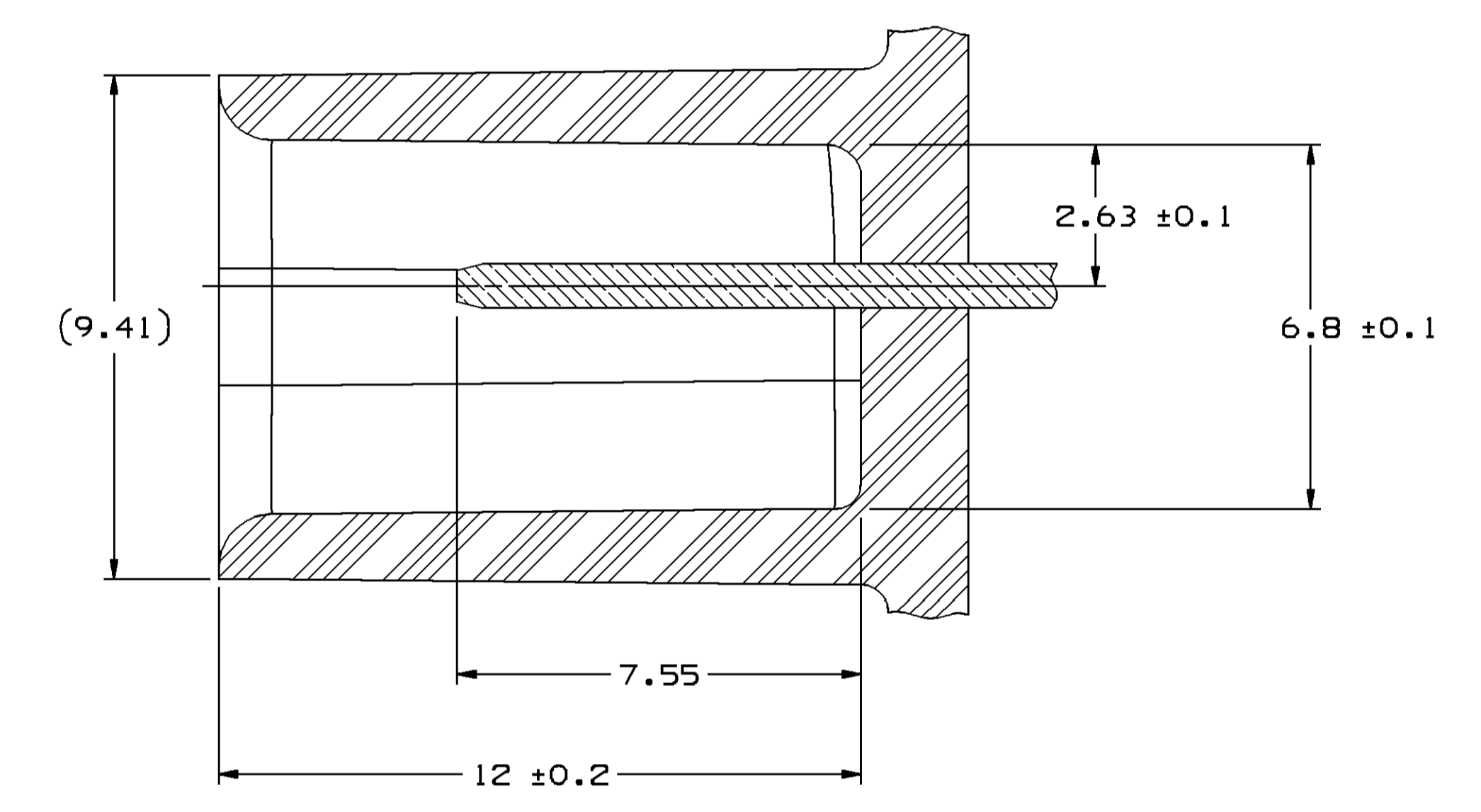
TENSILE STRENGTH: 430 MPa

NOTE - USE OF MATERIAL WITH A CONDUCTIVITY
≈20% IACS AT 68°F SHOULD BE APPROVED
BY PACKARD ELECTRIC.

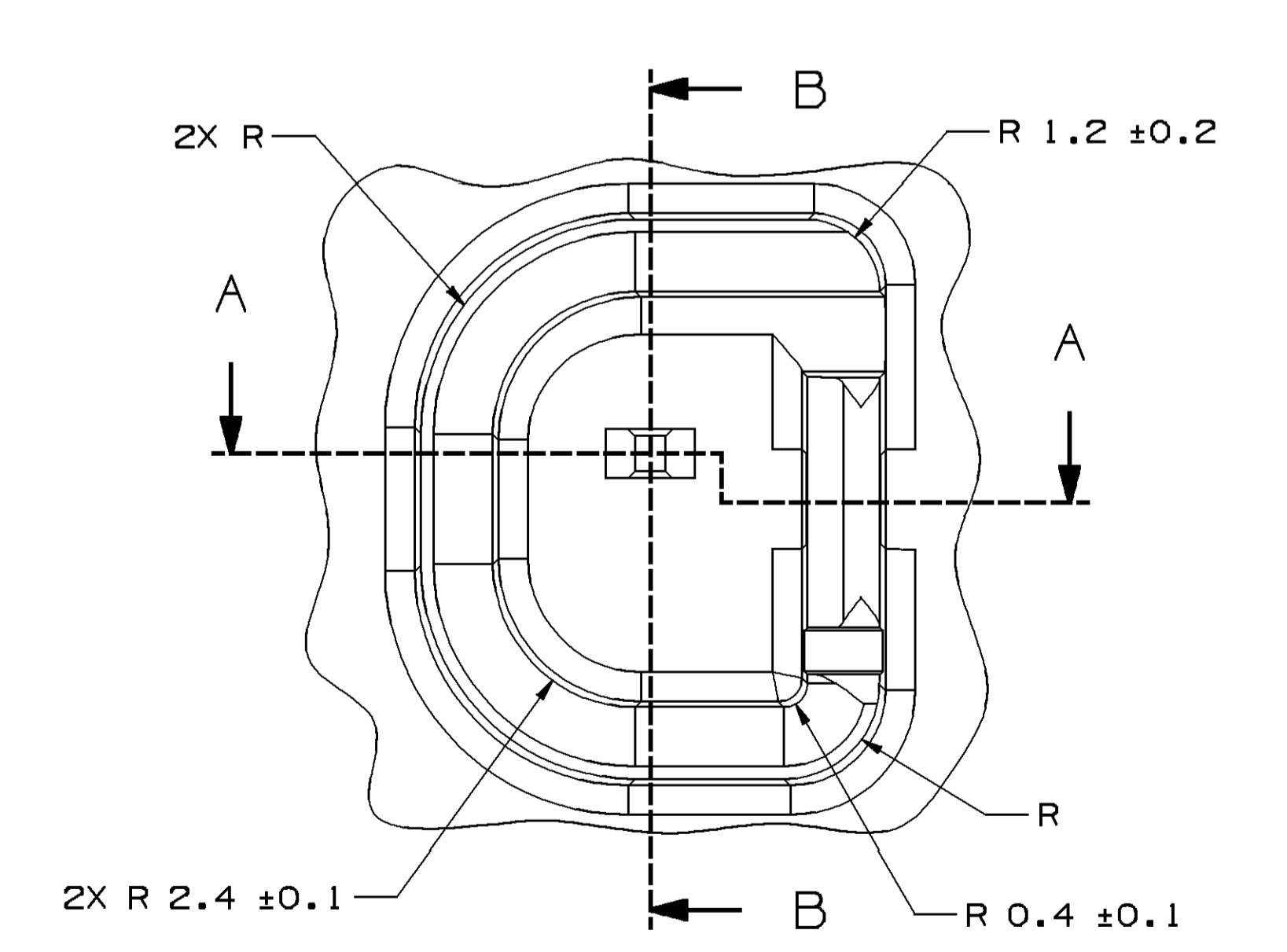
MATING TERMINAL INFORMATION
SCALE 10:1



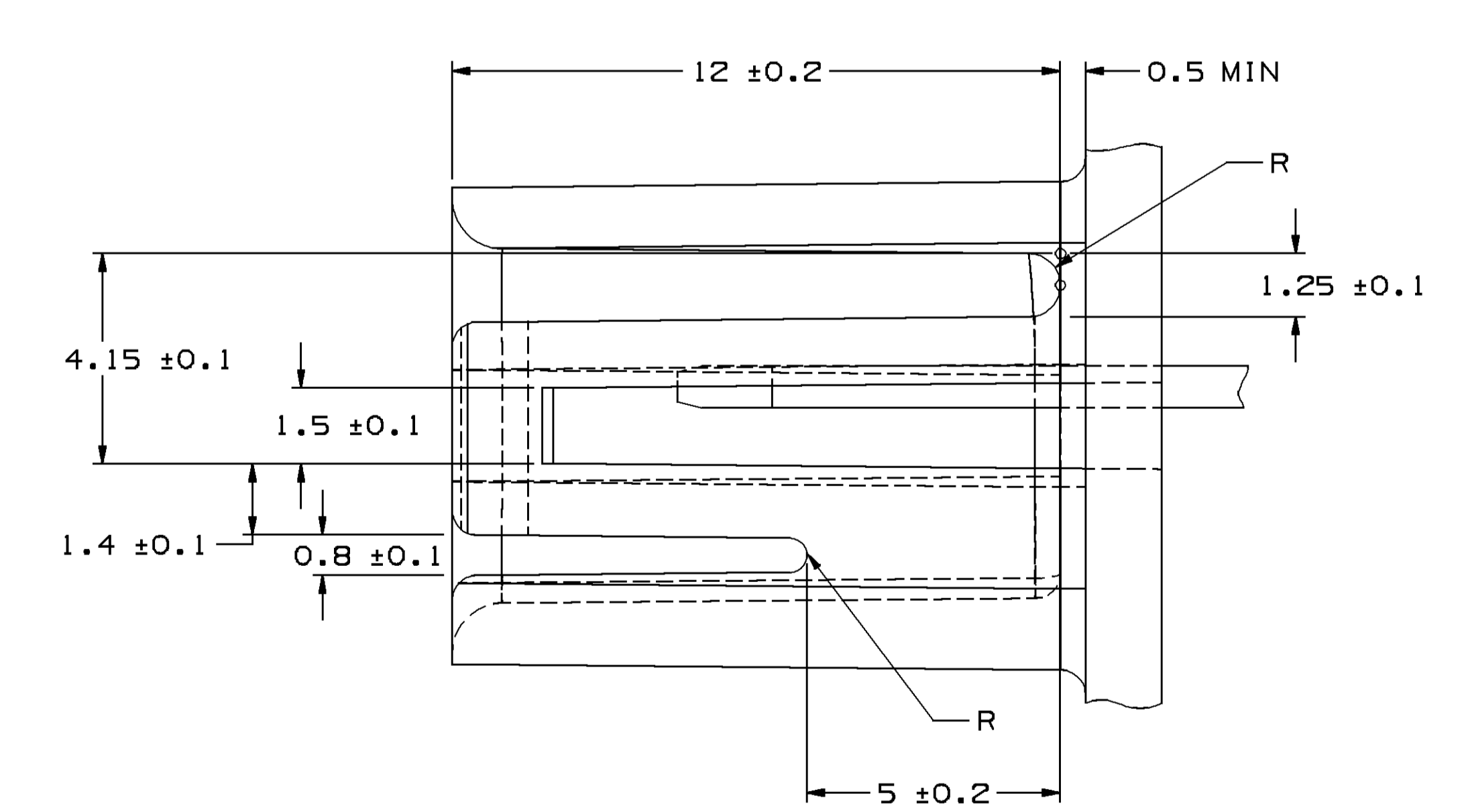
SECTION A-A



SECTION B-B

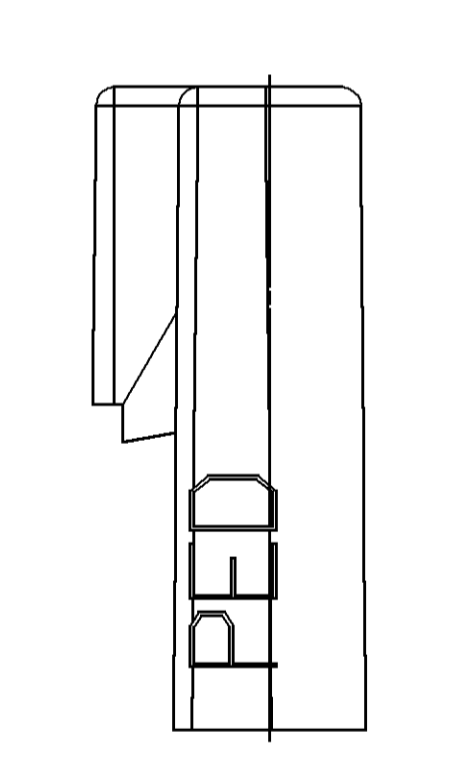
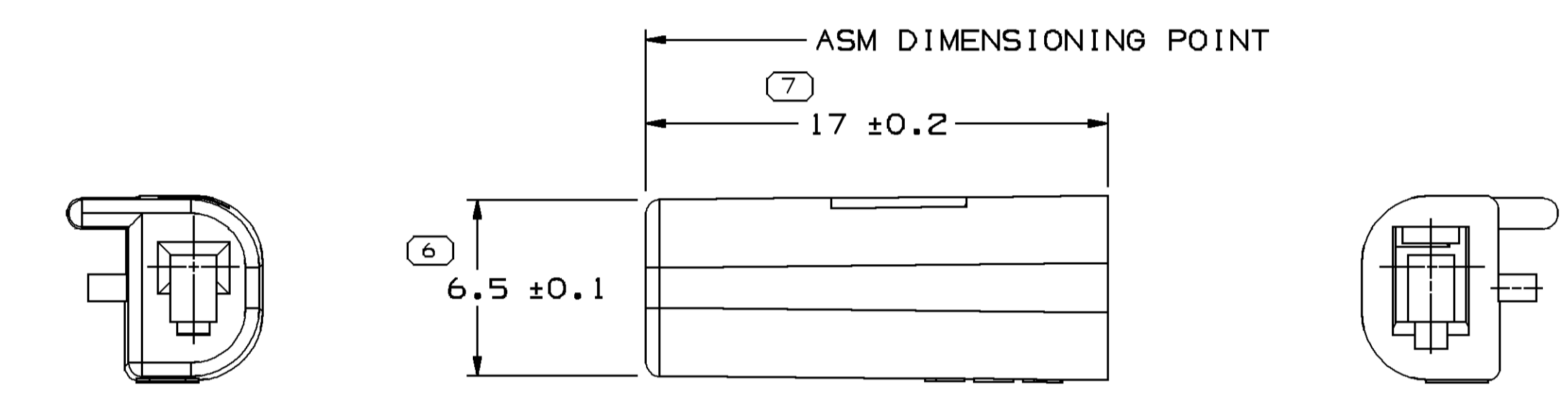
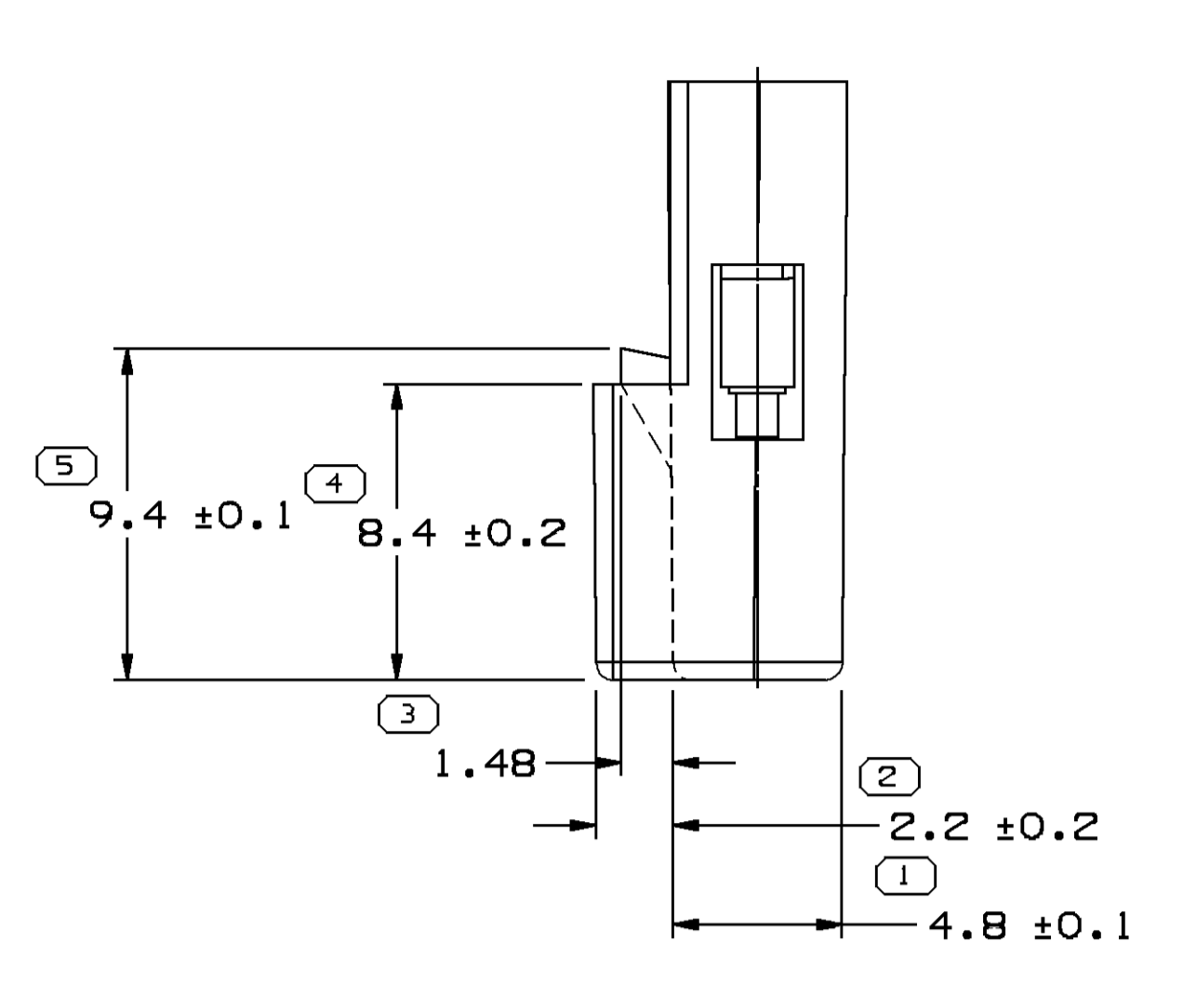


MATING CONNECTOR INFORMATION
SCALE 10:1



| SYMBOL DEFINITION | | TOTAL NO OF INSPECTIONS REQUIRED | MISSING SYMBOLS |
|-------------------|--|----------------------------------|--------------------------|
| A | DIMENSION WITHOUT AN INSPECTION REPORT SYMBOL DOES NOT REQUIRE INSPECTION. IT MAY BE CONTROLLED ON THE INDIVIDUAL COMPONENT DRAWING. | 7 | NO MISSING SYMBOL NUMBER |
| | | LAST NO. USED | 7 |

| DATE | STG | REV | N/P | CHG | ZONE | REVISION HISTORY | AUTH | DR | AP/VD |
|--------|-----|-----|-----|-----|------|---|--------|-----|-------|
| 19FE98 | R | 01 | - | - | - | 12047682 - WAS SEPERATE DWG; REV LEV REMAINS AT B | 104894 | EML | JHV |
| 19FE98 | R | 02 | - | - | - | 15336680, 15336682, 15336684, 15336686, 15336688, 15336690 & 15336692 - RELEASED TO REV A | 980005 | EML | JHV |
| 15AP03 | R | 03 | - | - | - | ALL PARTS - UPDATED MATERIAL SPEC | 239671 | HAM | HAM |
| 10MR08 | R | 04 | - | - | - | ALL PARTS - ADDED APPLICATION DATA NOTE & APPEARANCE ITEM NOTE, REMOVED MATING COMPONENTS NOTE, MAX INSULATION & CAVITIES TO ACCEPT NOTE AND REVISED MAT'L CALLOUT TO GENERIC CALLOUT | 403564 | EFS | JAA |



- NOTES
- UNLESS OTHERWISE SPECIFIED AND/OR INDICATED:
DIMENSIONS ARE TO FACE OF VIEW SHOWN AND AUTOMATICALLY ROUNDED BY COMPUTER FOR INSPECTION (SEE MATH MODEL FOR PRECISE DIMENSIONS). FOR ALL OTHER DIMENSIONS NOT SHOWN BUT REQUIRED FOR TOOL BUILD, SEE MATH MODEL FOR PRECISE TOOL PATH DATA.
 - MATERIAL RECYCLING CODE PER ISO 11469. (2.3) X (0.1) RAISED CHARACTERS AS SHOWN TO BE LOCATED ON ANY EXTERIOR SURFACE. OPTIONAL CONSTRUCTION TO BE NO MATERIAL RECYCLING CODE.
 - THIS CONNECTOR WILL PASS THRU A 9 DIA. MIN. HOLE
 - (2.3)X(0.1) RAISED DELPHI CORPORATE BRAND TO BE LOCATED ON ANY EXTERIOR SURFACE, PREFERABLY VISIBLE AT FINAL ASSEMBLY. OPTIONAL CONSTRUCTION TO BE "PED" OR NO LOGO.
 - THIS PRODUCT IS NOT CATEGORIZED AS AN APPEARANCE ITEM, MINOR IMPERFECTIONS INCLUDING, BUT NOT LIMITED TO, FLOW MARKS, COLOR BLEMISHES, GATE VESTIGE, AND SOFT FLASH THAT DO NOT AFFECT THE FIT, FORM, OR FUNCTION OF THE PART ARE PERMISSIBLE PER NAP 4.10-18.
 - FOR APPLICATION DATA SEE THE INDIVIDUAL APPLICATION DRAWINGS.

| PART NO | REV | N/P | STATUS | MATERIAL SPECIFICATION AND COLOR | VOLUME |
|----------|-----|-----|--------|----------------------------------|--------|
| 15336692 | A2 | - | - | POLYAMIDE COMPOUND BROWN | 0.363 |
| 15336690 | A2 | - | - | POLYAMIDE COMPOUND YELLOW | 0.363 |
| 15336688 | A2 | - | - | POLYAMIDE COMPOUND BLUE | 0.363 |
| 15336686 | A2 | - | - | POLYAMIDE COMPOUND GREEN | 0.363 |
| 15336684 | A2 | - | - | POLYAMIDE COMPOUND NATURAL | 0.363 |
| 15336682 | A2 | - | - | POLYAMIDE COMPOUND RED | 0.363 |
| 15336680 | A2 | - | - | POLYAMIDE COMPOUND GRAY | 0.363 |
| 12047682 | B2 | - | - | POLYAMIDE COMPOUND BLACK | 0.363 |

| DATE | STG | REV | N/P | CHG | ZONE |
|--------|-----|-----|-----|-----|------|
| 19FE98 | R | 01 | - | - | - |
| 19FE98 | R | 02 | - | - | - |
| 15AP03 | R | 03 | - | - | - |
| 10MR08 | R | 04 | - | - | - |

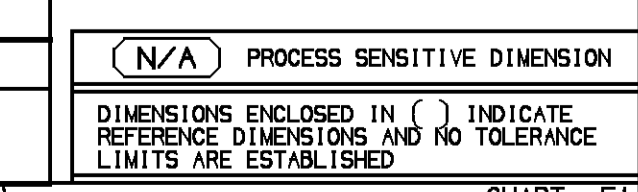
DELPHI
DELPHI PACKARD ELECTRICAL/ELECTRONIC ARCHITECTURE
NAPER, OH

DR: E. MARAVER L
AP/VD: JOSE HUERTA
DATE: 19FE98
SHEET NO: 25FE98
REV: 06MR98

DRAWING NAME: TAXI CONN F M/P 150
DRAWING NUMBER: 15336694

SIZE: A0
SCALE: 5:1
FRAME NO: 1 OF 1
SHEET NO: 1 OF 1
REV: R 04

| FROM | TO | TOLERANCE | UNIT |
|-------|-------|-----------|------|
| > 0 | > 30 | ±0.1 | MM |
| > 30 | > 70 | ±0.15 | MM |
| > 70 | > 100 | ±0.2 | MM |
| > 100 | > 150 | ±0.3 | MM |
| > 150 | > 200 | ±0.4 | MM |
| > 200 | > 250 | ±0.5 | MM |
| > 250 | > 300 | ±0.6 | MM |
| > 300 | > 400 | ±0.8 | MM |



| FRONT | TOP | LEFT SIDE | RIGHT SIDE |
|-------|-----|-----------|------------|
| 1 | 2 | 3 | 4 |