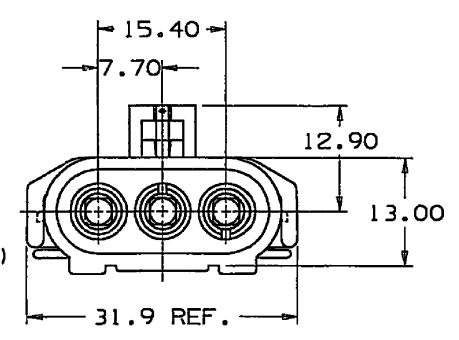
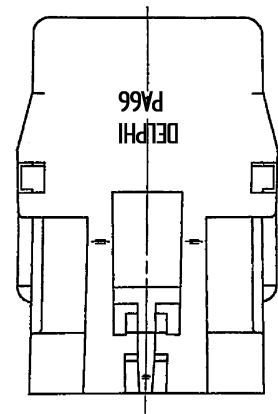
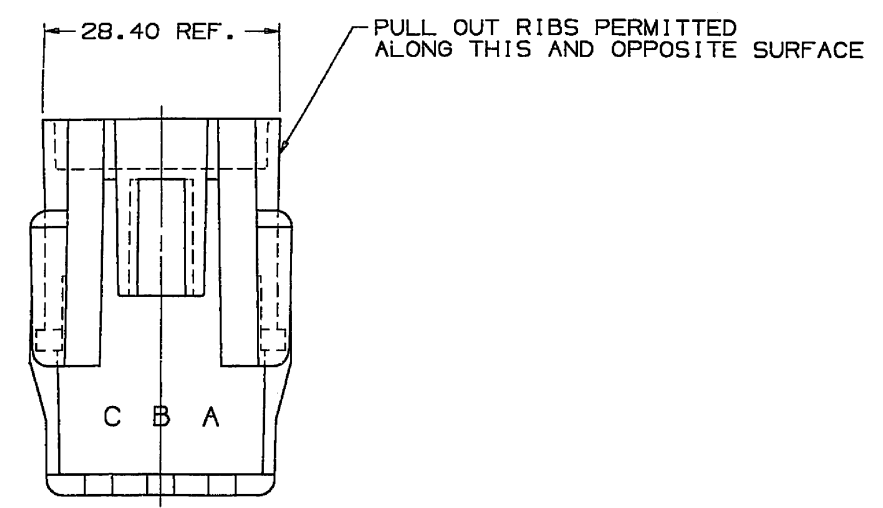
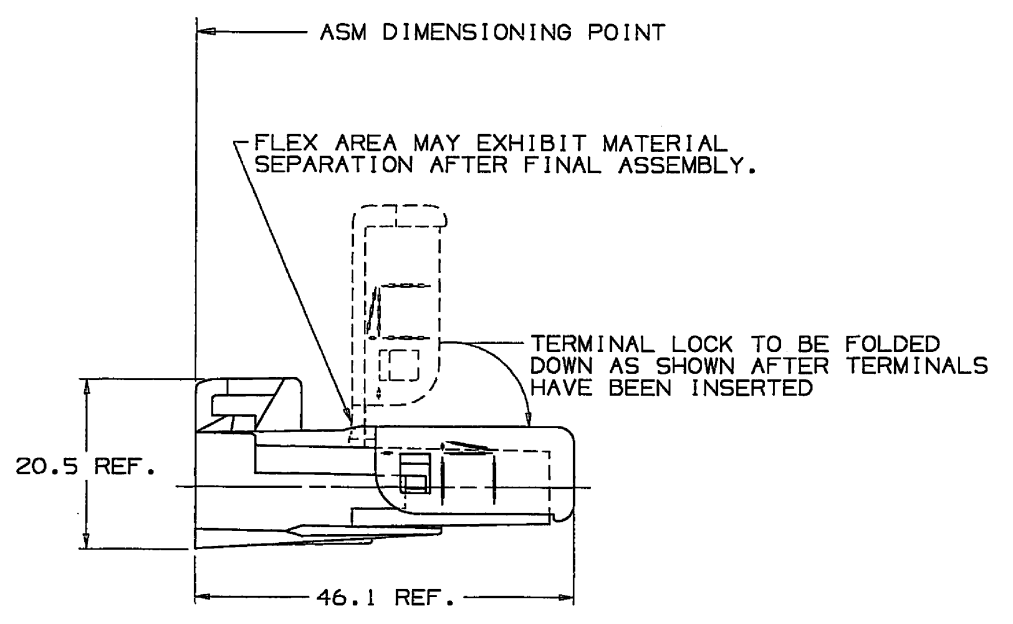


DWG STATUS				REVISION HISTORY				AUTH	
DATE	BY	W/P	CHK	NO	DESCRIPTION	DATE	BY	APP'D	REV
14MY02	R	01	-	-	ALL PARTS - CREATED PD, REVISED MATL. SPEC & ADDED LOGO & MATL. RECYCLING NOTES	223088	JGR	EDV	ET
14NO02	R	02	-	-	12020827 - MATL. SPEC WAS M3596002 PA6 BLK & 12034350 - MATL. SPEC WAS M3596003 PA6 GRAM MD	233545	JGR	EDV	ET
16MR06	R	03	-	-	12020827 - MATL. SPEC WAS M3596001	278447	GPS	JVM	GG



INDEX CODE
-013-
(ALSO SEE HANDBOOK)



- NOTES —
- USE TERMINAL 12089040 OR EQUIVALENT.
 - MATING CONNECTOR IS 12020829 OR EQUIVALENT.
 - USE 12020833 LOCK OR EQUIVALENT.
 - SEALING CODE 3.
 - USE 12015323 CABLE SEAL OR EQUIVALENT.
 - CAUTION: DO NOT ATTEMPT TO COPY THIS DRAWING WHEN DESIGNING A MATING PART TO A WEATHER PACK CONNECTOR. PLEASE REQUEST THE LATEST COPY OF DRAWING NUMBER 12020084 FROM THE PACKARD ELECTRIC DIVISION.
 - (2.3) X (0.1) RAISED DELPHI CORPORATE BRAND TO BE LOCATED ON ANY EXTERIOR SURFACE, PREFERABLY VISIBLE AT FINAL ASSEMBLY. OPTIONAL CONSTRUCTION TO BE "PED" OR NO LOGO
 - MATERIAL RECYCLING CODE >PA66< PER SAE J1344. (2.3) X (0.1) RAISED CHARACTERS AS SHOWN TO BE LOCATED ON ANY EXTERIOR SURFACE. OPTIONAL CONSTRUCTION TO BE NO MATERIAL RECYCLING CODE.

PART NO	REV	N/P	STATUS	MATERIAL SPEC & COLOR	APPLICATION	REF. TERM/GENDER	ASM.PART NUMBER
12034350	04	-		M3592025 PA66 HS IM GRA MD	IN - LINE	12089040/MALE	-
12020827	05	-		M3592024 PA66 HS IM GRM	IN - LINE	12089040/MALE	12034057

DWG TYPE: PART DRAWING

STYLE: _____

VOLUME (CM): _____

ROUTING: 6900

UNLESS OTHERWISE SPECIFIED:
THIS DRAWING IS IN ACCORDANCE WITH THE DELPHI POLICY ON THE USE OF RECYCLED MATERIALS. ALL DIMENSIONS ARE TO UNLESS OTHERWISE SPECIFIED.
DIMENSIONS ARE TO UNLESS OTHERWISE SPECIFIED.
DIMENSIONS ARE TO UNLESS OTHERWISE SPECIFIED.

DO NOT SCALE

SE SOLID EDGE

DELPHI
DELPHI PACKARD ELECTRIC SYSTEMS
WARREN, OH

DRAWING NUMBER: **12034357**

DATE: 14MY02

DR: J. GAVALDON

APPROVED: E. VAZQUEZ

APPROVED: E. TRACEY

DRAWING NAME: TAXI CONN 3M W/P SHD

SCALE: 1 OF 1

SHEET NO: 1 OF 1

REV: 03