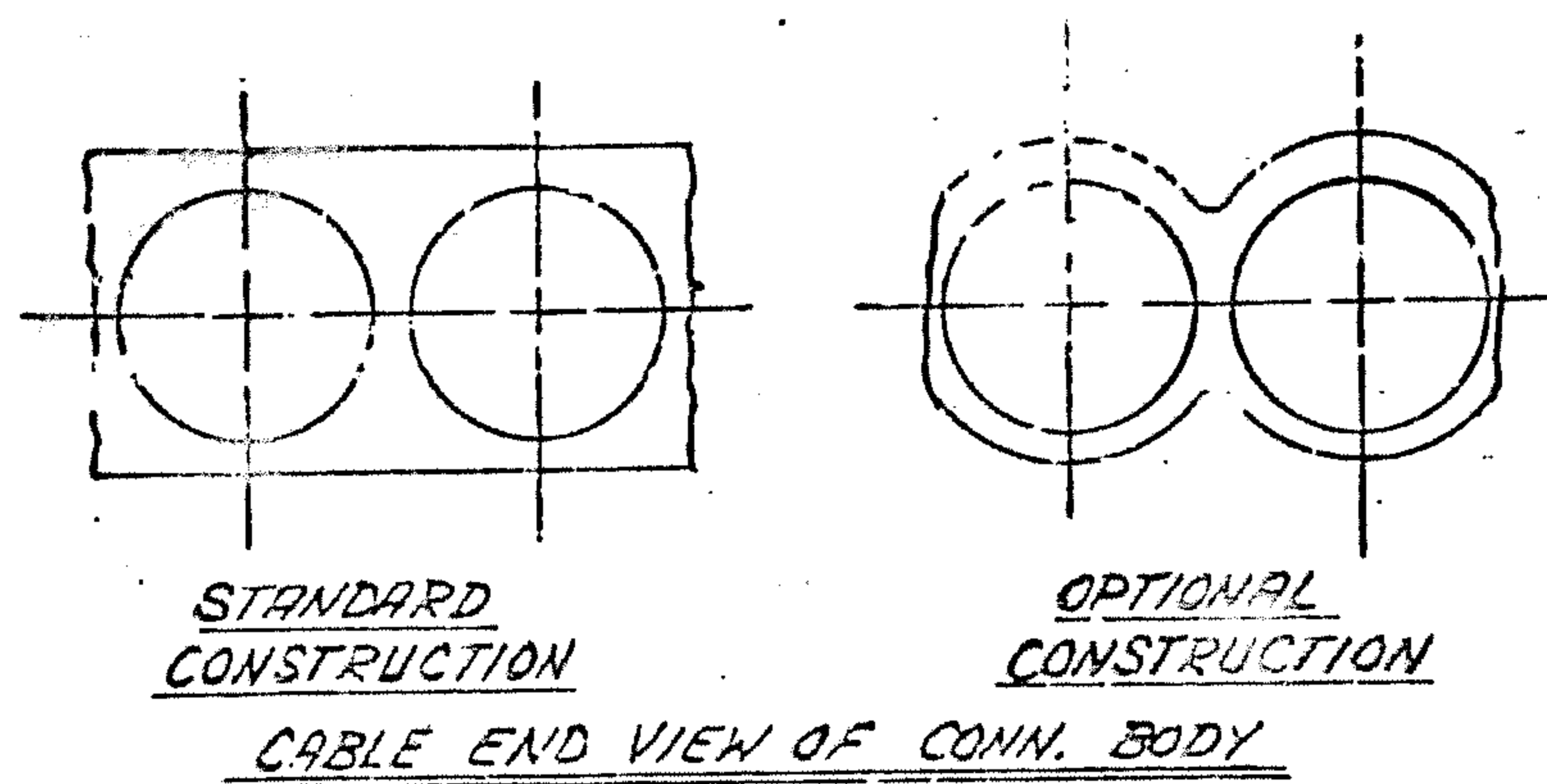
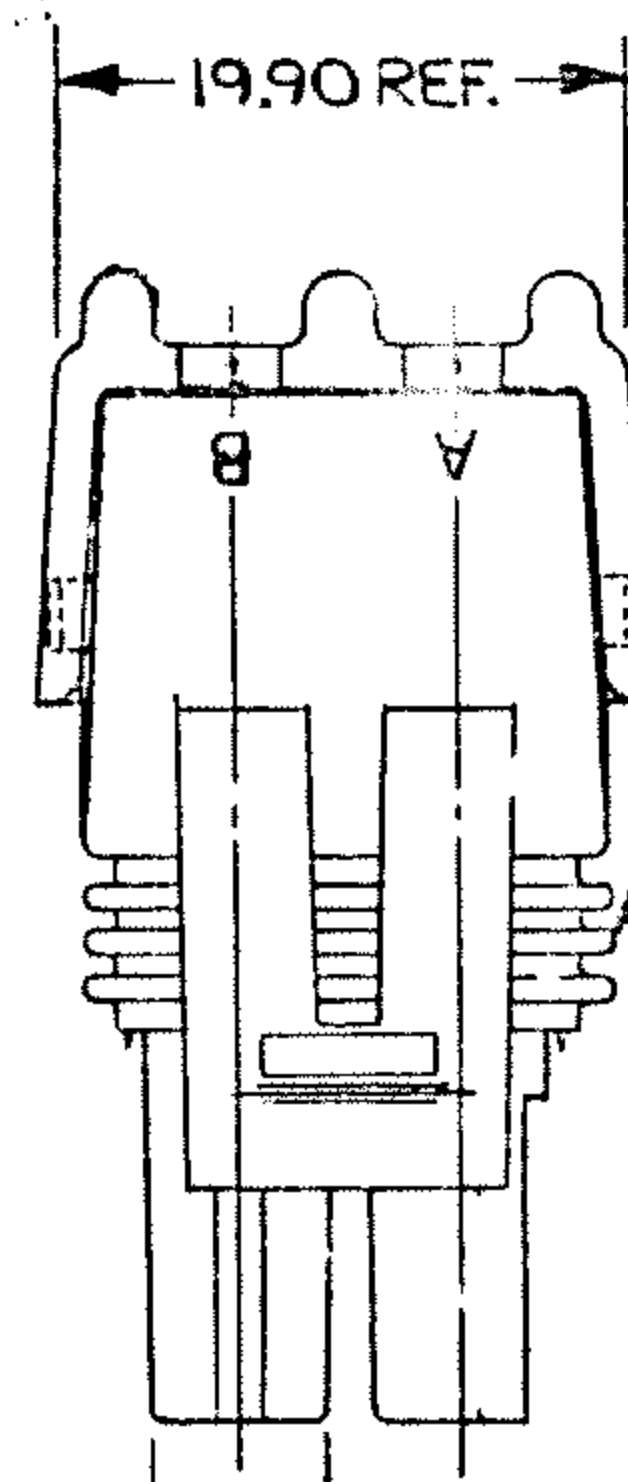
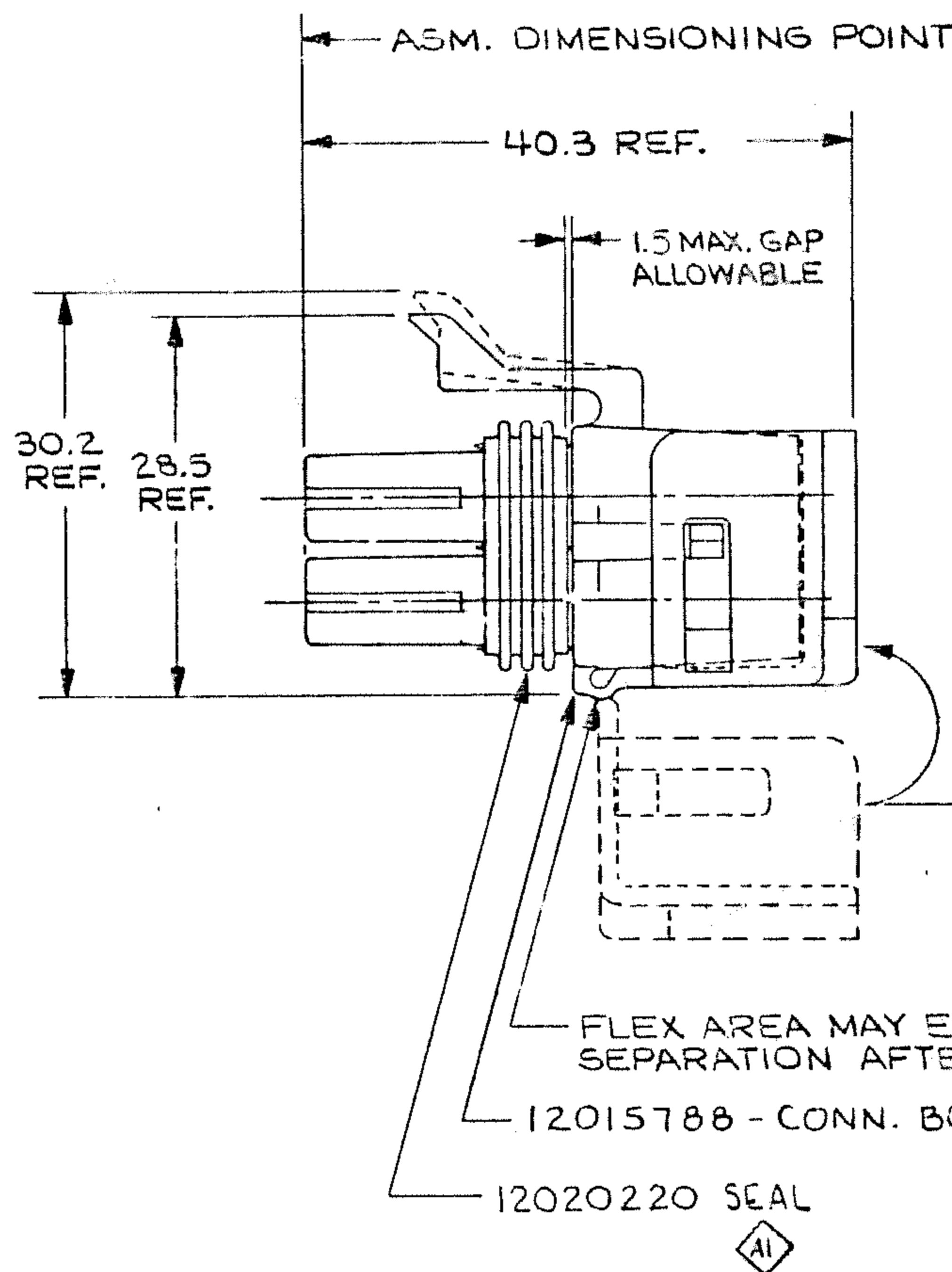
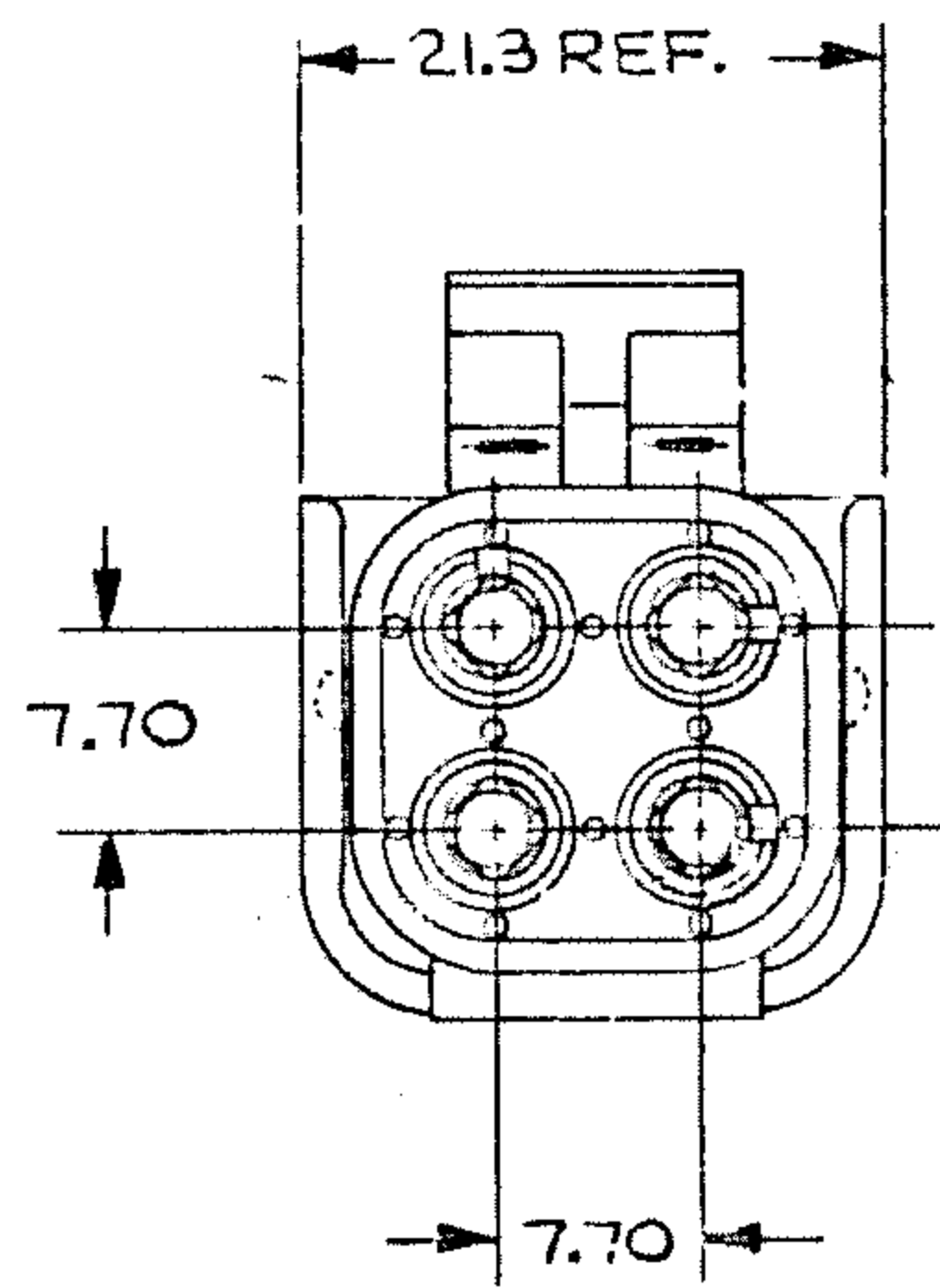


THIS DRAWING AND DESIGN HEREON CONSTITUTES A PROPRIETARY DESIGN OF PACKARD ELECTRIC DIVISION AND IS NOT TO BE REPRODUCED OR REPRODUCED WITHOUT AUTHORITY OF PACKARD ELECTRIC DIVISION.

DATE	SYM.	REVISION RECORD	AUTH	DR.	CK.
05M180	A	RELEASED	00000		
09FE81	-	ADDED STANDARD & OPTIONAL CONST. VIEWS	75211	DB	JK
07AP81	-	12020220 ADDED TO SEAL NOTE	76325	MB	SM
19JL83	-	1.5 MAX. WAS 1.0 MAX.	85923	GW	WLD
11SE81	-	REVISED NOTE #1 & ADDED NOTE #5	115623	TD	JK
21 OC 81	-	REVISED TERMINAL NOTE	116529	DM	SM
10 JN 88	AI	REMOVED 12010162 FROM SEAL NOTE	120555	CR	SM



6.15 DIA. - 4 PLCS.



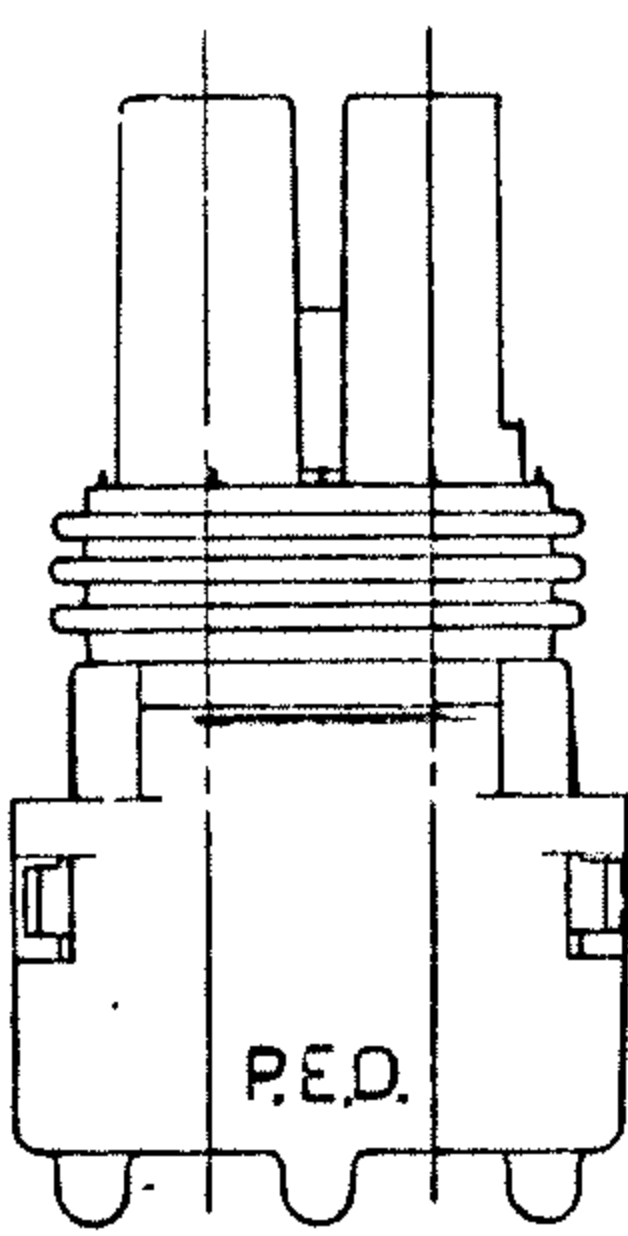
TERMINAL LOCK TO BE FOLDED DOWN AS SHOWN AFTER TERMINALS HAVE BEEN INSERTED.

FLEX AREA MAY EXHIBIT MATERIAL SEPARATION AFTER FINAL ASSEMBLY.

PART NO.
1201 5798

METRIC
DIMENSIONS ARE IN MILLIMETRES
UNLESS OTHERWISE SPECIFIED

- NOTES** — 1. USE FEMALE TERMINAL 12034051 OR EQUIVALENT FOR 'IN-LINE' APPLICATIONS. USE MALE TERMINAL 12033674 OR EQUIVALENT FOR 'PANEL MOUNT' APPLICATIONS.
2. USE CABLE SEAL 12015323 OR EQUIVALENT.
 3. MATING CONNECTOR - 12015024 OR EQUIVALENT.
 4. WHEN PARTS ARE SHIPPED, THEY MUST BE PACKED IN PLASTIC BAGS OR SHIPPING CONTAINERS MUST BE LINED WITH PLASTIC LINERS. BAGS OR LINERS MUST BE SEALED TO AVOID ENTRY OF FOREIGN MATTER.
 5. SEALING CODE 3.



P. N. C. CODE			
CODE NO. 6900	TOLERANCE UNLESS OTHERWISE SPECIFIED DECIMAL: ONE PLACE ± 0.3 TWO PLACE ± 0.15		
CC - C - 5110	SCALE NONE	DR. <i>Ray E. Nebhart</i>	DATE 05MY80
DWG. DATE 05MY80	CR. <i>J. M. Muehler</i>	DATE 06MY80	
EST. NO.	APPROVED <i>Chad W. ...</i>	DATE 07MY80	
REFERENCE NO.	DATE 07MY80		
MATERIAL SPEC. (SEE DWG)			
NAME ASM CONN 4M/F. W/P TWR			
PART NO. 1201 5798			SIZE C

