

THIS DRAWING AND DESIGN HEREON CONSTITUTE A PROPRIETARY DESIGN OF PACKARD ELECTRIC DIVISION AND IS NOT TO BE DUPLICATED OR REPRODUCED WITHOUT AUTHORITY OF PACKARD ELECTRIC DIVISION.

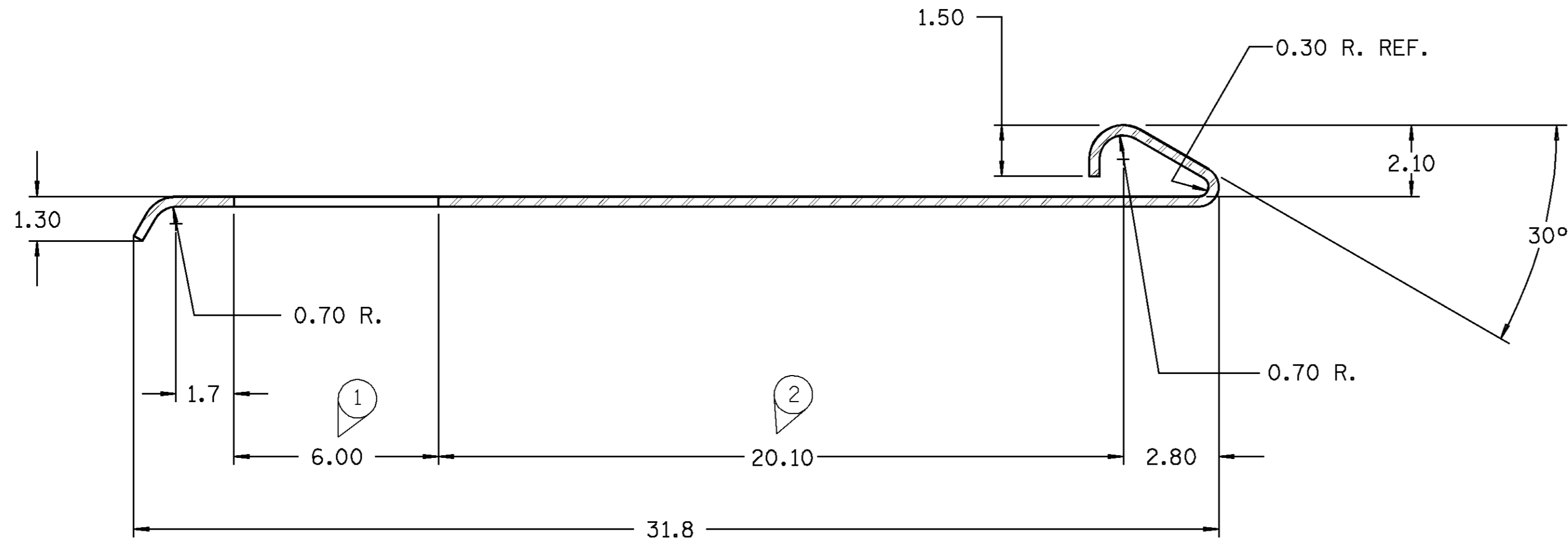
DO NOT SCALE

PART NO.
1211 0254

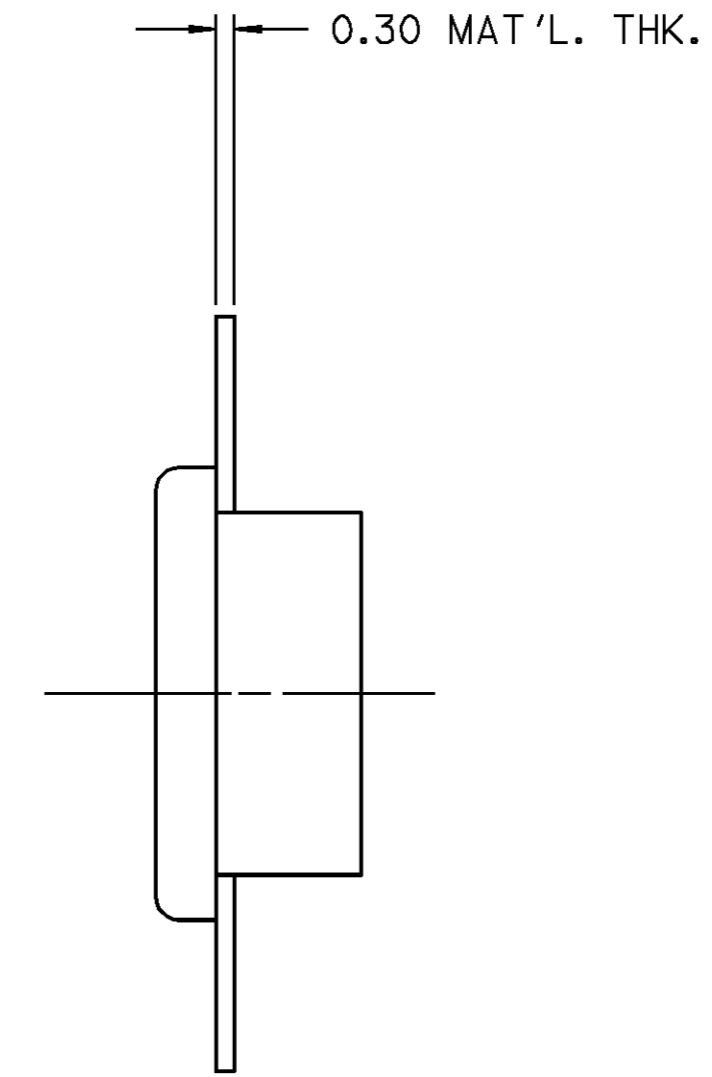
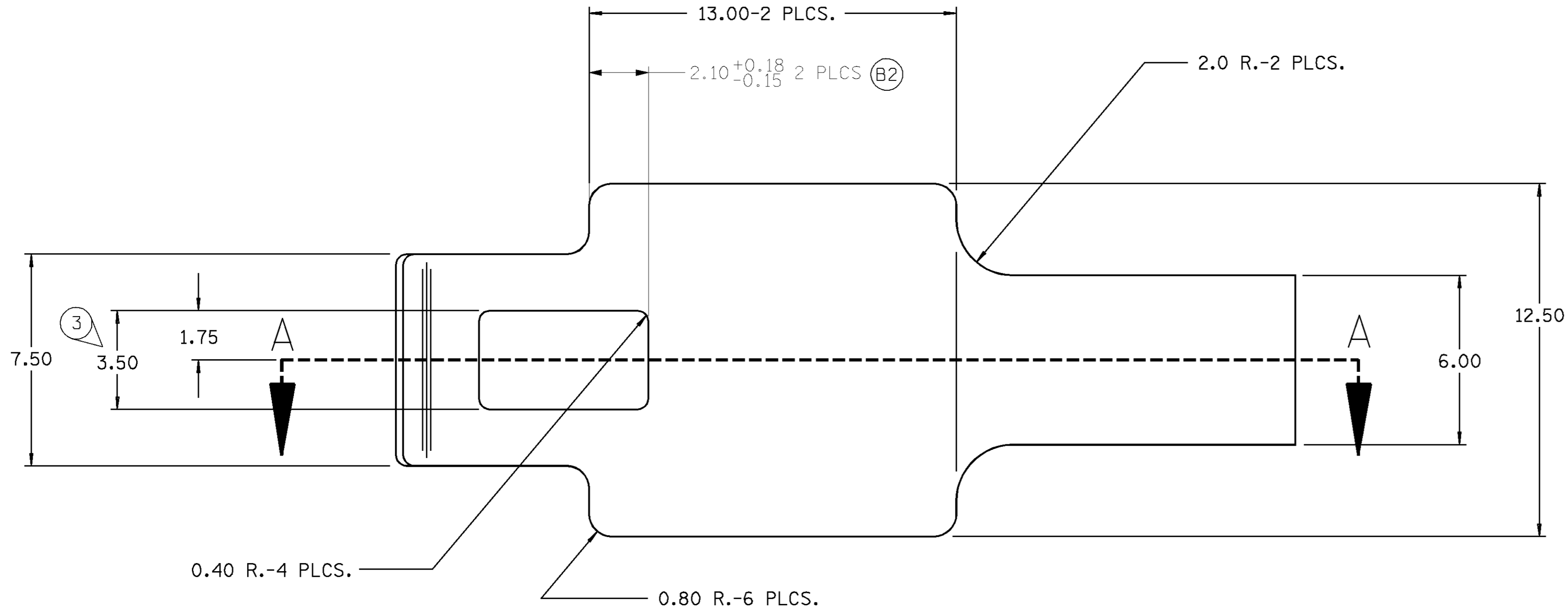
PART NO.
1211 0254

(B2)

DATE	SYM	REVISION RECORD	AUTHORITY	DR	CK
260C89	A	P.E. DWG. CREATION.	890012	R.JH	-
28N089	B	REVISED.	131649	R.JH	T.M.
25N091	B1	WAS PE019699 AND RELEASED.	910005	WHP	HH
11M993	B2	B1 WAS C IN REV RECORD & REVISED TOLERANCE TO 1 DIM	154937	BAR	BAR



SECTION A - A



- NOTES-
1. DIMENSIONS ARE TO FACE OF VIEW SHOWN, UNLESS OTHERWISE INDICATED.
 2. A 0.40 R. IS PERMISSIBLE ON ALL "SHARP" CORNERS UNLESS OTHERWISE SPECIFIED.
 3. THIS PART MATES TO CONNECTOR 1211 0252 OR EQUIVALENT.
 4. " (B2) " DENOTES DIMENSIONS AND CHARACTERISTICS THAT ARE IMPORTANT TO THE FUNCTION AND/OR PROCESSING OF THE PART. IT DOES NOT NECESSARILY INDICATE AN SPC DIMENSION. THIS DRAWING HAS 3 SNOWCONES.

PIED/INTEGRAL	FILE SPEC: ****USER**** DN#SPECIFICATION***** *****SYTIME*****
THIRD ANGLE PROJECTION	METRIC DIMENSIONS ARE IN MILLIMETERS UNLESS OTHERWISE SPECIFIED.
CODE NO. 6901	TOLERANCE UNLESS OTHERWISE SPECIFIED DECIMAL: ANGULAR ± 2° ONE PLACE ± 0.3 TWO PLACE ± 0.15
Q.C. -R-3059	DWG. DATE 260C89
SCALE 8:1	DR. R.J. HRUSOVSKY 260C89
EST. NO.	CK. T.M. NADASKY DATE 28N089
REFERENCE NO.	APPR. A. RASCHILLA DATE 29N089 APPR. R.A. PETROSKY DATE 29N089
MATERIAL SPEC. PM000921 ST STL - 301 HARD - 0.30 THK	
NAME CLIP	
PART NO. 1211 0254	SIZE D