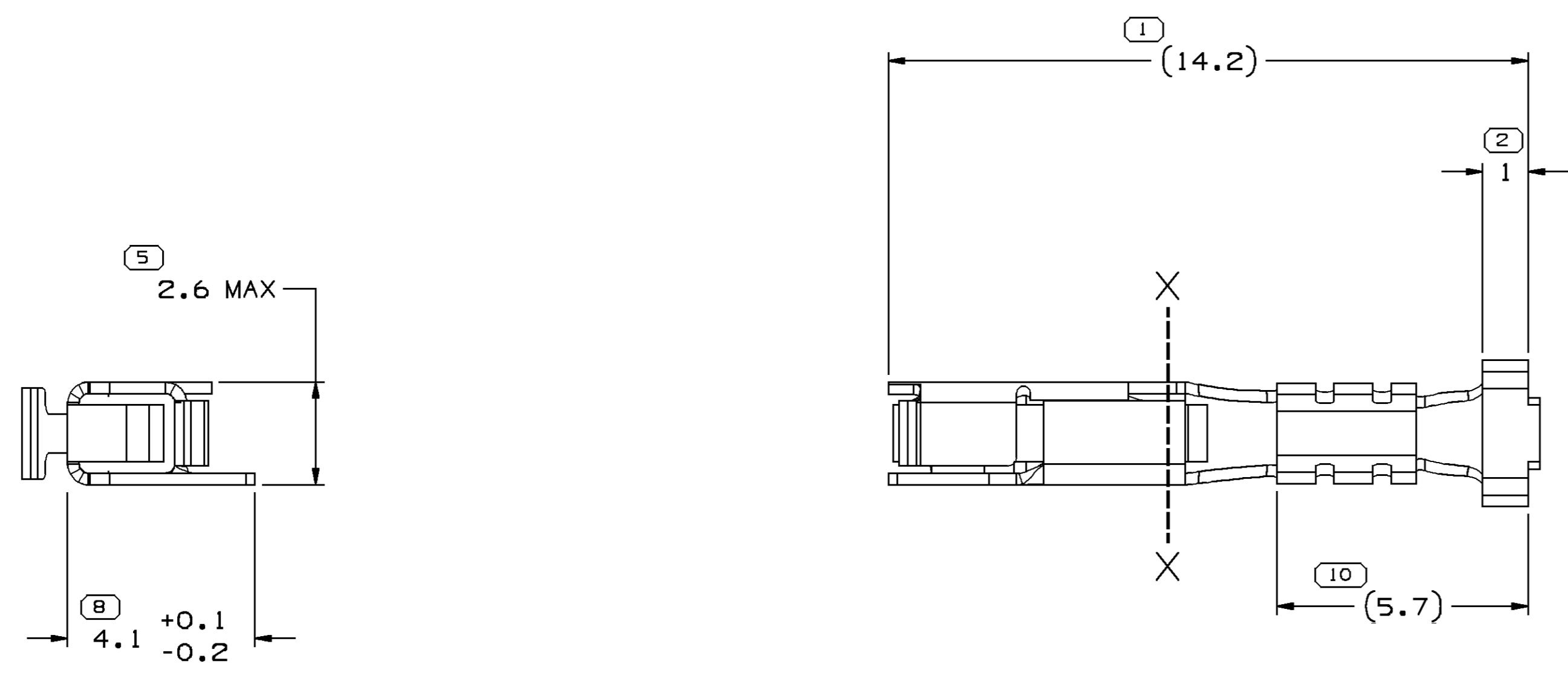
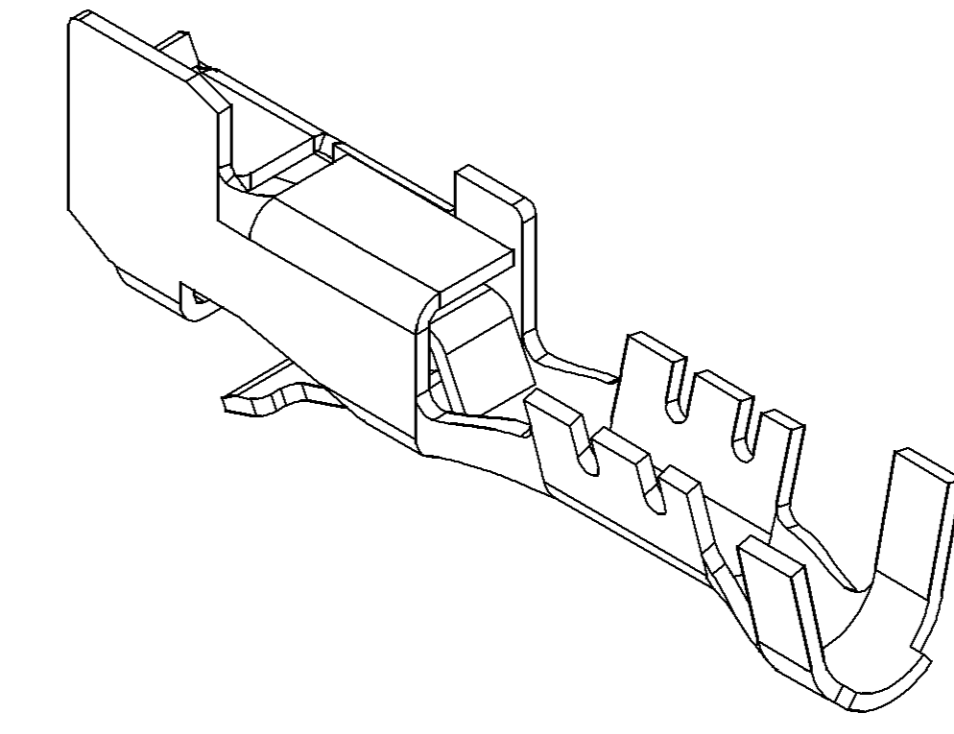
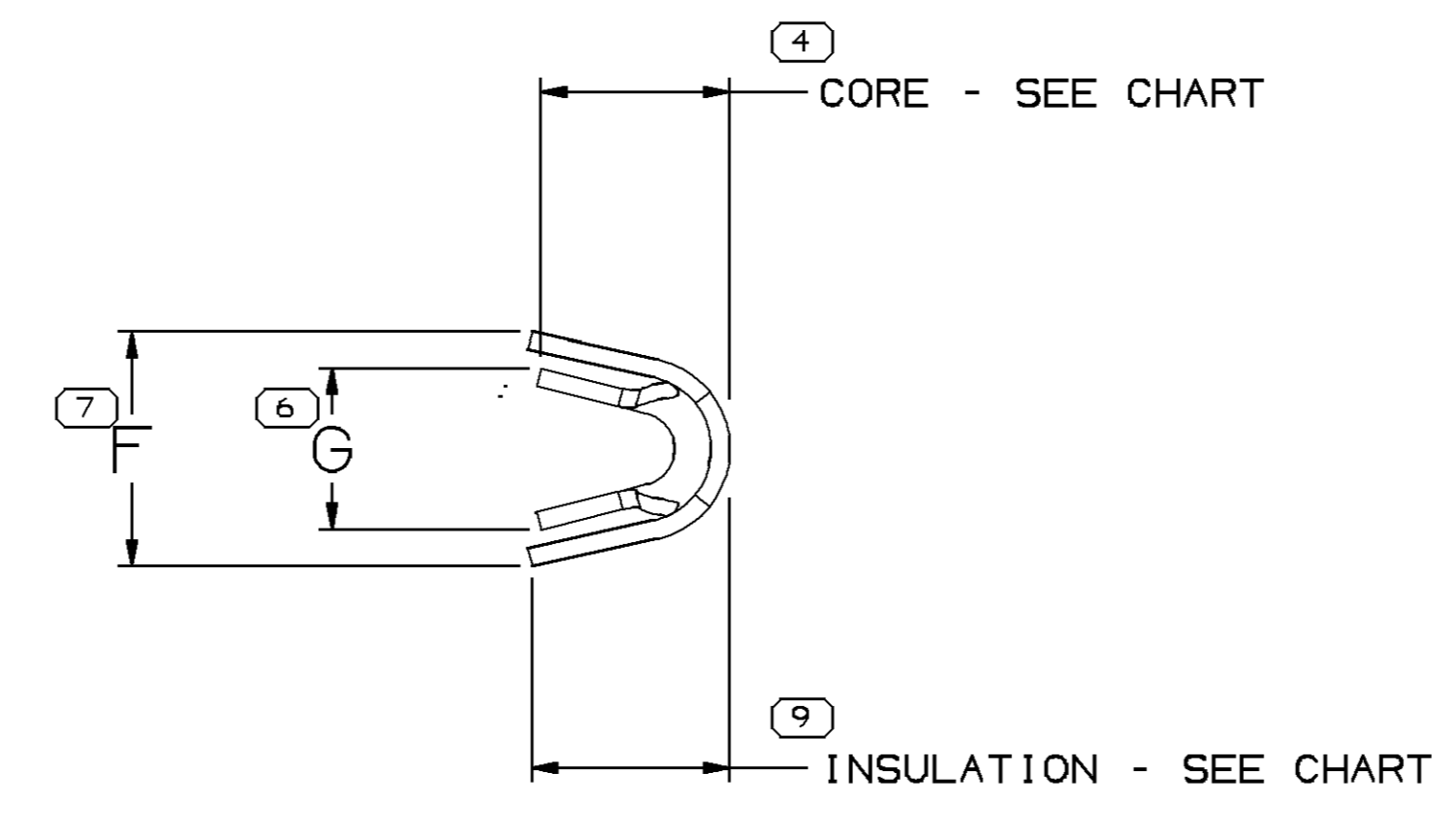


SYMBOL DEFINITION		TOTAL NO OF INSPECTIONS REQUIRED
A DIMENSION WITHOUT AN INSPECTION REPORT SYMBOL DOES NOT REQUIRE INSPECTION. IT MAY BE CONTROLLED ON THE INDIVIDUAL COMPONENT DRAWING.		17
	LAST NO. USED	17

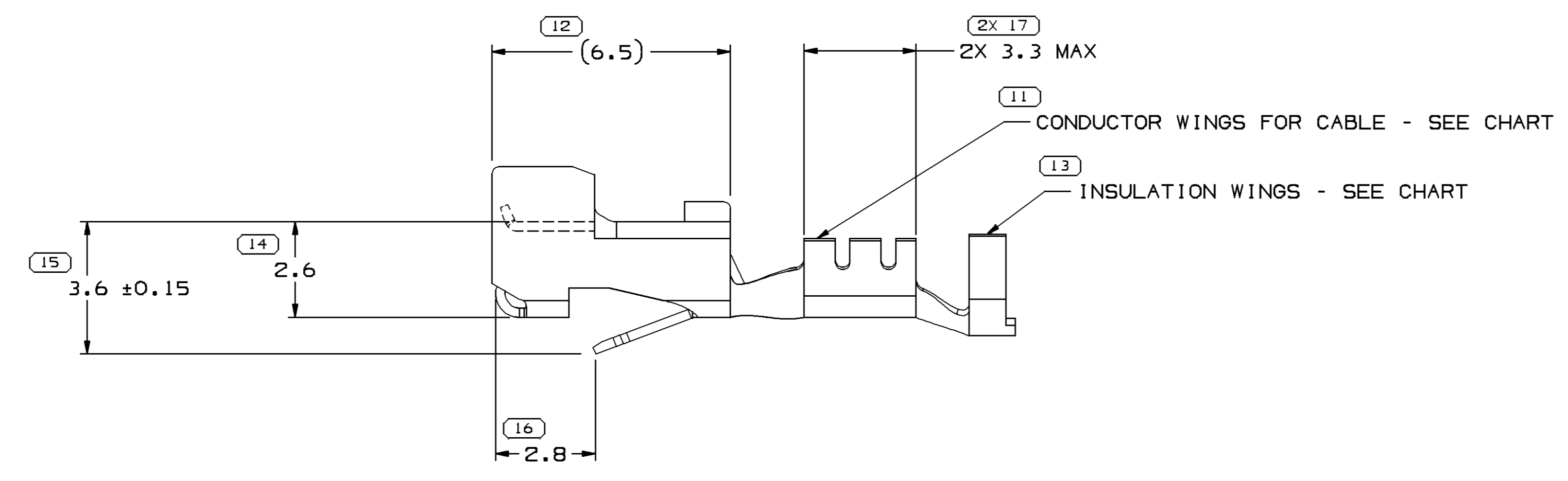
MISSING SYMBOLS				DWG STATUS		ZONE		REVISION HISTORY		AUTH	DR	AP/VD
DATE	STG	REV	N/P	CHG								
17DE01	R	13	-	-				CLEARED REV COL; ALL PARTS - REVISED TOLERANCE CRIMP WINGS	218778	AFM	EDV	6M
26FE04	R	14	-	-				ALL PARTS - CREATED SOLID MODEL	241869	RAD	EAR	B6
26FE04	R	15	-	-				ALL PARTS - UPDATED MAT'L SPEC	245025	RAD	EAR	B6
18OC05	R	16	-	-				REMOVED DIM # 3	272913	EPS	JVM	B6
02AU06	R	17	-	-				ALL PARTS - ADDED 3.3 MAX DIM	283169	TLD	TLD	B6
22JA08	R	18	-	-				ALL PARTS - UPDATED PDM ATTRIBUTES	403618	MAC	MAC	B6
04FE08	R	19	-	-				ALL PARTS - UPDATED PDM ATTRIBUTES	403722	RH	RH	B6



VIEW TO X-X



VIEW TO X-X



NOTES

- UNLESS OTHERWISE SPECIFIED AND/OR INDICATED: DIMENSIONS ARE TO FACE OF VIEW SHOWN AND AUTOMATICALLY ROUNDED BY COMPUTER FOR INSPECTION (SEE MATH MODEL FOR PRECISE DIMENSIONS). FOR ALL OTHER DIMENSIONS NOT SHOWN BUT REQUIRED FOR TOOL BUILD, SEE MATH MODEL FOR PRECISE TOOL PATH DATA.

PART NO	REV	N/P	STATUS	MAT'L SIZE	MAT'L SPEC	PART NO	REV	N/P	STATUS	MAT'L SPEC	SIZE (MM²)	DIA	ID
				0.254 X 26.97	M3606419 C65400 1/2 HD	15304790	03	AG			1-0.8	2.78-2.62	17
				0.254 X 26.97	M3635419 C17200 AM	12161184	03	AG			1-0.8	2.4-2.03	17
				0.254 X 26.97	M3606419 C65400 1/2 HD	12124076	05	AG			0.5-0.35	2.2-1.3	21
				0.254 X 26.97	M3606419 C65400 1/2 HD	12124075	05	AG			1-0.8	2.4-2.03	17

DIMENSIONS ENCLOSED IN () INDICATE REFERENCE DIMENSIONS AND NO TOLERANCE LIMITS ARE ESTABLISHED		DIMENSIONAL RANGE (MM)		CHART	D
FROM	TO	0	12	>12	
TOLERANCE UNLESS OTHERWISE SPECIFIED		±0.1	±0.2		
ANGULAR TOLERANCE 2°					

DWG TYPE		PART DRAWING	
STYLE		DISTR CODE	D
VOLUME (O/P)			

DELPHI	
DELPHI PACKARD ELECTRICAL/ELECTRONIC ARCHITECTURE	
NAPER, OH	
DR	DATE
AP/VD1 G. ALVARADO	26 JUN99
AP/VD2 J. VILLAMIL	27 JUN99
AP/VD3 J. VILLAMIL	27 JUN99
AP/VD4	
AP/VD5	
SUBSTANCES OF CONCERN AND RECYCLED CONTENT PER DELPHI 10949001	
MATERIAL SEE CHART	
DRAWING NAME	
TAXI TERM F M/P 150.2 TANG	
DRAWING NUMBER	
12124077	
SIZE	SCALE
A0	10:1
FRAME NO	SHEET NO
1 OF 1	1 OF 2
REV	N/P
19	-

THIRD ANGLE PROJECTION		DO NOT SCALE	
USE MATH DATA		NX	