


# Electronic housing - P 1-UEG - 2790224

Please be informed that the data shown in this PDF Document is generated from our Online Catalog. Please find the complete data in the user's documentation. Our General Terms of Use for Downloads are valid (<http://download.phoenixcontact.com>)

PCB for custom fitting electronic components



## Key commercial data

Packing unit	10 pc
GTIN	 4 017918 072308
Weight per Piece (excluding packing)	6.71 g
Custom tariff number	85340019
Country of origin	Germany

## Technical data

Product type	PCB
Approval	UL Recognized

## Classifications

### eCl@ss

eCl@ss 4.0	27180401
eCl@ss 4.1	27180401
eCl@ss 5.0	27180506
eCl@ss 5.1	27180506
eCl@ss 6.0	27180802
eCl@ss 7.0	27182702
eCl@ss 8.0	27182702

### ETIM

ETIM 2.0	EC001031
ETIM 3.0	EC001031
ETIM 4.0	EC001031

# Electronic housing - P 1-UEG - 2790224

## Classifications

### ETIM

ETIM 5.0	EC001031
----------	----------

### UNSPSC

UNSPSC 6.01	31261501
UNSPSC 7.0901	31261501
UNSPSC 11	31261501
UNSPSC 12.01	31261501
UNSPSC 13.2	31261501

## Approvals

### Approvals

---

Approvals

UL Recognized

---

Ex Approvals

---

Approvals submitted

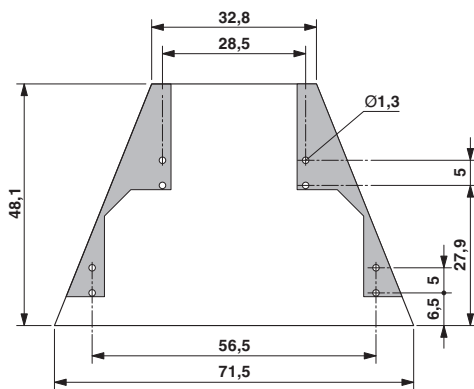
---

### Approval details

UL Recognized
---------------

## Drawings

Dimensioned drawing



Schematic diagram

