

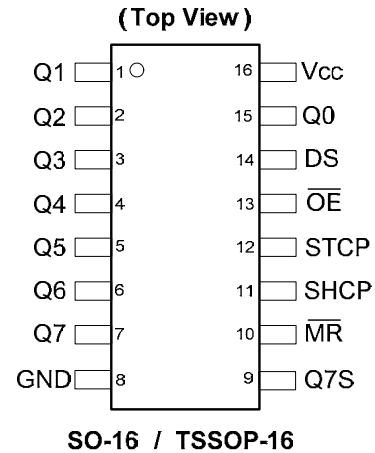
**8-BIT SHIFT REGISTER WITH 8-BIT OUTPUT REGISTER**
**Description**

The 74HC595 is an high speed CMOS device.

An eight bit shift register accpets data from the serial input (DS) on each positive transition of the shift register clock (STCP). When asserted low the reset function ( $\overline{MR}$ ) sets all shift register values to zero and is indepent of all clocks.

Data from the input serial shift register is placed in the output register with a rising pulse on the storages resister clock (SHCP). With the output enable ( $\overline{OE}$ ) asserted low the 3-state outputs Q0-Q7 become active and present th

All registers capture data on rising edge and change output on the falling edge. If both clocks are connected together the input shift register is always one clock cycle ahead of the output register.

**Pin Assignments**

**Features**

- Wide Supply Voltage Range from 2.0V to 6.0V
- Sinks or sources 8mA at  $V_{CC} = 4.5V$
- CMOS low power consumption
- Schmitt Trigger Action at All Inputs
- Inputs accept up to 6.0V
- ESD Protection Tested per JESD 22
  - Exceeds 200-V Machine Model (A115-A)
  - Exceeds 2000-V Human Body Model (A114-A)
  - Exceeds 1000-V Charged Device Model (C101C)
- Latch-Up Exceeds 250mA per JESD 78, Class II
- **Totally Lead-Free & Fully RoHS Compliant (Notes 1 & 2)**
- **Halogen and Antimony Free. "Green" Device (Note 3)**

**Applications**

- General Purpose Logic
- Serial to Parallel Data conversion
- Capture and hold data for extended periods of time.
- Allow simple serial bit streams from a microcontroller to control as many peripheral lines as needed.
- Wide array of products such as:
  - Computer peripherals
  - Appliances
  - Industrial control

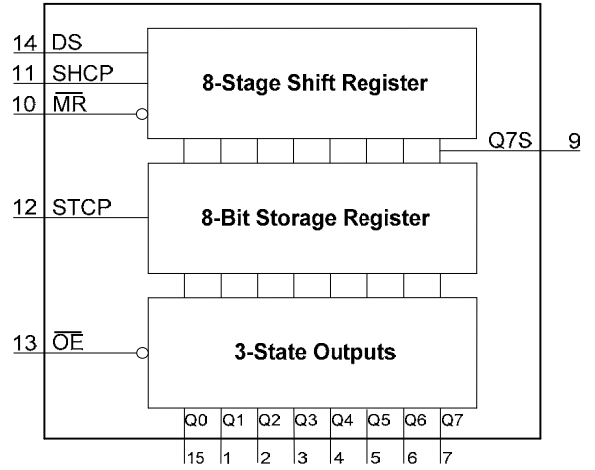
Notes: 1. No purposely added lead. Fully EU Directive 2002/95/EC (RoHS) & 2011/65/EU (RoHS 2) compliant.  
 2. See [http://www.diodes.com/quality/lead\\_free.html](http://www.diodes.com/quality/lead_free.html) for more information about Diodes Incorporated's definitions of Halogen- and Antimony-free, "Green" and Lead-free.  
 3. Halogen- and Antimony-free "Green" products are defined as those which contain <900ppm bromine, <900ppm chlorine (<1500ppm total Br + Cl) and <1000ppm antimony compounds.

[Click here for ordering information, located at the end of datasheet](#)

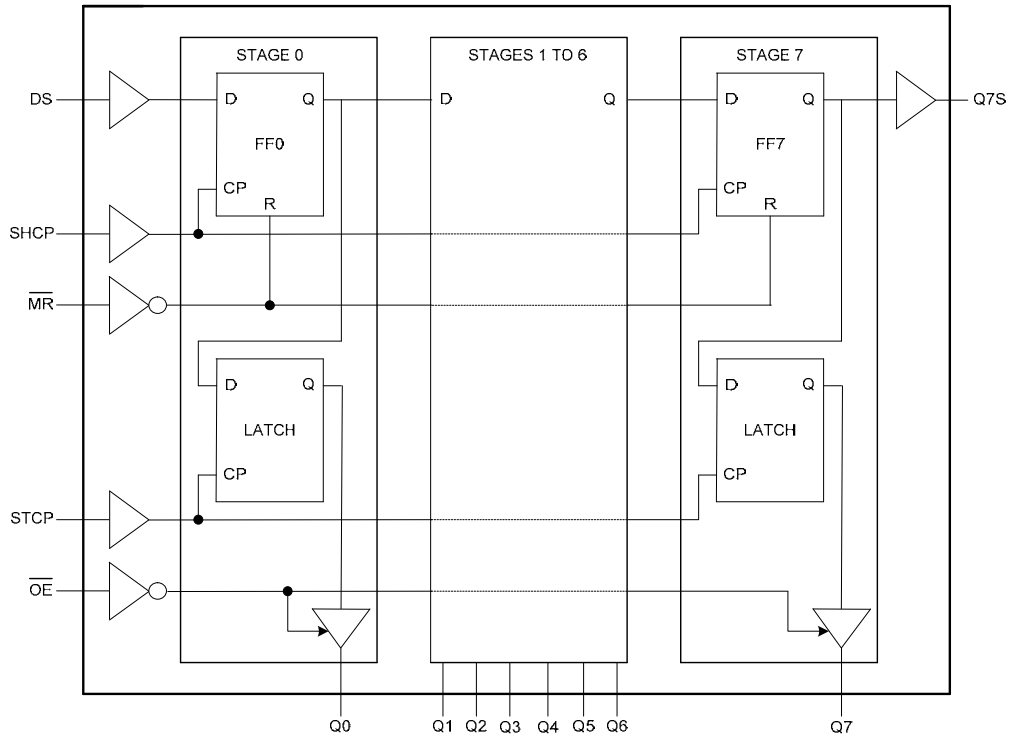
**Pin Descriptions**

| Pin Number | Pin Name        | Function                     |
|------------|-----------------|------------------------------|
| 1          | Q1              | Parallel Data Output 1       |
| 2          | Q2              | Parallel Data Output 2       |
| 3          | Q3              | Parallel Data Output 3       |
| 4          | Q4              | Parallel Data Output 4       |
| 5          | Q5              | Parallel Data Output 5       |
| 6          | Q6              | Parallel Data Output 6       |
| 7          | Q7              | Parallel Data Output 7       |
| 8          | GND             | Ground                       |
| 9          | Q7S             | Serial Data Output           |
| 10         | $\overline{MR}$ | Master Reset Input           |
| 11         | SHCP            | Shift Register Clock Input   |
| 12         | STCP            | Storage Register Clock Input |
| 13         | $\overline{OE}$ | Output Enable Input          |
| 14         | DS              | Serial Data Input            |
| 15         | Q0              | Parallel Data Output 0       |
| 16         | Vcc             | Supply Voltage               |

**Functional Diagram**



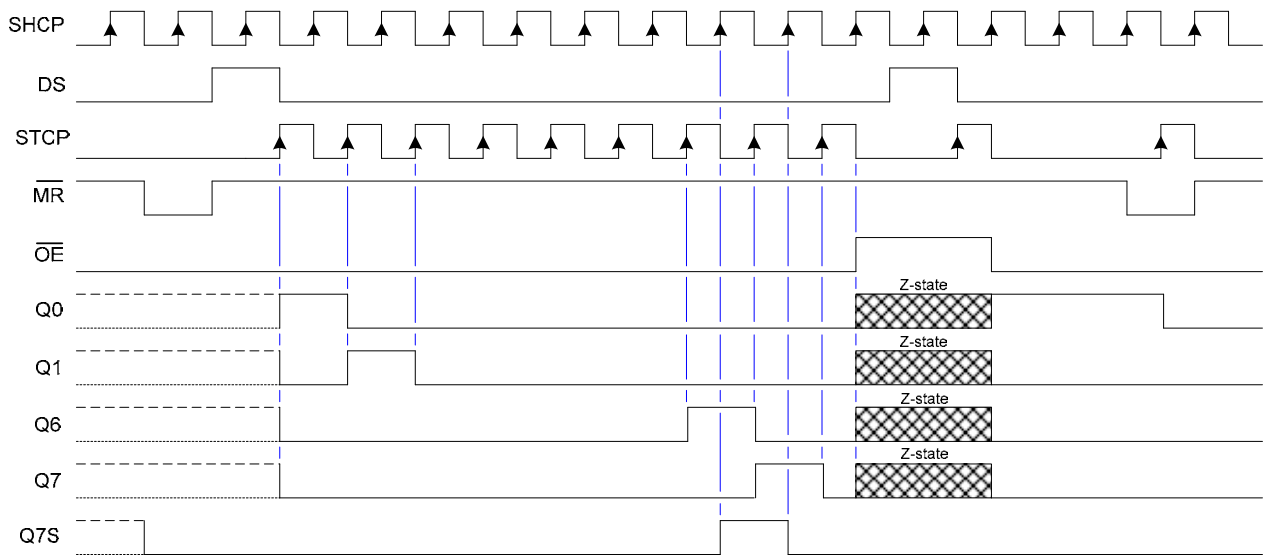
**Logic Diagram**



### Functional Description and Timing Diagram

| Control |      |                 |                 | Input | Output |     | Function  |
|---------|------|-----------------|-----------------|-------|--------|-----|---|
| SHCP    | STCP | $\overline{OE}$ | $\overline{MR}$ | DS    | Q7S    | Qn  |   |
| X       | X    | L               | L               | -     | L      | NC  | Low-level asserted on MR clears shift register.<br>Storage register is unchanged  |
| X       | ↑    | L               | L               | -     | L      | L   | Empty shift register transferred to storage register  |
| X       | X    | H               | L               | -     | L      | Z   | Shift register remains clear;: All Q ouputs in Z state.   |
| ↑       | X    | L               | H               | -     | Q6S    | NC  | HIGH is shifted into first stage of Shift Register Contents of each register shifted to next register<br>The content of Q6S has been shifted to Q7S and now appears on device pin Q7S |
| X       | ↑    | L               | H               | -     | NC     | QnS | Contents of shift register copied to storage register. With output now in active state the storage register contents appear on Q outputs.   |
| ↑       | ↑    | L               | H               | -     | Q6S    | QnS | Contents of shift register copied to output register then shift register shifted.   |

H=HIGH voltage state  
 L=LOW voltage state  
 ↑=LOW to HIGH transition  
 X= don't care – high or low (not floating)  
 NC= No change  
 Z= high-impedance state



**Absolute Maximum Ratings** (Note 4) (@T<sub>A</sub> = +25°C, unless otherwise specified.)

| Symbol           | Description   | Rating                       | Unit |    |
|------------------|---|------------------------------|------|----|
| ESD HBM          | Human Body Model ESD Protection                             | 2                            | kV   |    |
| ESD CDM          | Charged Device Model ESD Protection                         | 1                            | kV   |    |
| ESD MM           | Machine Model ESD Protection                                | 200                          | V    |    |
| V <sub>CC</sub>  | Supply Voltage Range  | -0.5 to +7.0                 | V    |    |
| V <sub>I</sub>   | Input Voltage Range   | -0.5 to +7.0                 | V    |    |
| V <sub>o</sub>   | Voltage applied to output in high or low state              | -0.3 to V <sub>CC</sub> +0.5 | V    |    |
| I <sub>IK</sub>  | Input Clamp Current V <sub>I</sub> < -0.5V                  | -20                          | mA   |    |
| I <sub>IK</sub>  | Input Clamp Current V <sub>I</sub> > V <sub>CC</sub> +0.5V  | 20                           | mA   |    |
| I <sub>OK</sub>  | Output Clamp Current V <sub>O</sub> < -0.5V                 | -20                          | mA   |    |
| I <sub>OK</sub>  | Output Clamp Current V <sub>O</sub> > V <sub>CC</sub> +0.5V | 20                           | mA   |    |
| I <sub>o</sub>   | Continuous output current                                   | Q7 standard output           | ±25  | mA |
|                  |   | Qn bus driver outputs        | ±35  | mA |
| I <sub>CC</sub>  | Continuous current through V <sub>DD</sub> or GND           | 70                           | mA   |    |
| I <sub>GND</sub> | Continuous current through V <sub>DD</sub> or GND           | -70                          | mA   |    |
| T <sub>J</sub>   | Operating Junction Temperature                              | -40 to +150                  | °C   |    |
| T <sub>STG</sub> | Storage Temperature   | -65 to +150                  | °C   |    |
| P <sub>TOT</sub> | Total Power Dissipation                                     | 500                          | mW   |    |

Note: 4. Stresses beyond the absolute maximum may result in immediate failure or reduced reliability. These are stress values and device operation should be within recommend values.

**Recommended Operating Conditions** (Note 5) (@T<sub>A</sub> = +25°C, unless otherwise specified.)

| Symbol          | Parameter                          | Conditions             | Min | Max             | Unit |
|-----------------|------------------------------------|------------------------|-----|-----------------|------|
| V <sub>CC</sub> | Supply Voltage                     | –                      | 2.0 | 6.0             | V    |
| V <sub>I</sub>  | Input Voltage                      | –                      | 0   | V <sub>CC</sub> | V    |
| V <sub>O</sub>  | Output Voltage                     | Active Mode            | 0   | V <sub>CC</sub> | V    |
| Δt/ΔV           | Input transition rise or fall rate | V <sub>CC</sub> = 2.0V | –   | 1000            | ns/V |
|                 |                                    | V <sub>CC</sub> = 4.5V | –   | 500             |      |
|                 |                                    | V <sub>CC</sub> = 6.0V | –   | 400             | –    |
| T <sub>A</sub>  | Operating free-air temperature     | –                      | -40 | +125            | °C   |

Note: 5. Unused inputs should be held at V<sub>CC</sub> or Ground.

**Electrical Characteristics** (@T<sub>A</sub> = +25°C, unless otherwise specified.)

| Symbol                   | Parameter                 | Test Conditions  | V <sub>CC</sub> | T <sub>A</sub> = +25°C |      |      | T <sub>A</sub> = -40°C to +85°C |      | T <sub>A</sub> = -40°C to +125°C |      | Unit |
|--------------------------|---------------------------|--|-----------------|------------------------|------|------|---------------------------------|------|----------------------------------|------|------|
|                          |                           |  |                 | Min                    | Typ  | Max  | Min                             | Max  | Min                              | Max  |      |
| V <sub>IH</sub>          | High-Level Input Voltage  | –  | 2.0V            | 1.5                    | 1.2  | –    | 1.5                             | –    | 1.5                              | –    | V    |
|                          |                           | –  | 4.5V            | 3.15                   | 2.4  | –    | 3.15                            | –    | 3.15                             | –    |      |
|                          |                           | –  | 6.0V            | 4.2                    | 3.2  | –    | 4.2                             | –    | 4.2                              | –    |      |
| V <sub>IL</sub>          | Low-Level Input Voltage   | –  | 2.0V            | –                      | 0.8  | 0.5  | –                               | 0.5  | –                                | 0.5  | V    |
|                          |                           | –  | 4.5V            | –                      | 2.1  | 1.35 | –                               | 1.35 | –                                | 1.35 |      |
|                          |                           | –  | 6.0V            | –                      | 2.8  | 1.8  | –                               | 1.8  | –                                | 1.8  |      |
| V <sub>OH</sub>          | High-Level Output Voltage | I <sub>OH</sub> = -20µA<br>All outputs                             | 2.0V            | 1.9                    | 2.0  | –    | 1.9                             | –    | 1.9                              | –    | V    |
|                          |                           |  | 4.5V            | 4.4                    | 4.5  | –    | 4.4                             | –    | 4.4                              | –    |      |
|                          |                           |  | 6.0V            | 5.9                    | 6.0  | –    | 5.9                             | –    | 5.9                              | –    |      |
|                          | Q7 output                 | I <sub>OH</sub> = -4.0mA   | 4.5V            | 3.84                   | 4.32 | –    | 4.32                            | –    | 3.7                              | –    |      |
|                          |                           | I <sub>OH</sub> = -5.2mA   | 6.0V            | 5.34                   | 5.81 | –    | 5.81                            | –    | 5.2                              | –    |      |
|                          | Qn Bus Outputs            | I <sub>OH</sub> = -6.0mA   | 4.5V            | 3.84                   | 4.32 | –    | 4.32                            | –    | 3.7                              | –    |      |
| I <sub>OH</sub> = -7.8mA |                           | 6.0V   | 5.34            | 5.81                   | –    | 5.81 | –                               | 5.2  | –                                |      |      |
| V <sub>OL</sub>          | Low-Level Output Voltage  | I <sub>OL</sub> = 20µA<br>All outputs                              | 2.0V            | –                      | 0    | 0.1  | –                               | 0.1  | –                                | 0.1  | V    |
|                          |                           |  | 4.5V            | –                      | 0    | 0.1  | –                               | 0.1  | –                                | 0.1  |      |
|                          |                           |  | 6.0V            | –                      | 0    | 0.1  | –                               | 0.1  | –                                | 0.1  |      |
|                          | Q7 output                 | I <sub>OL</sub> = 4.0mA  | 4.5V            | –                      | .15  | 0.33 | –                               | 0.33 | –                                | 0.4  |      |
|                          |                           | I <sub>OL</sub> = 5.2mA  | 6.0V            | –                      | .16  | 0.33 | –                               | 0.33 | –                                | 0.4  |      |
|                          | Qn Bus Outputs            | I <sub>OL</sub> = 6.0mA  | 4.5V            | –                      | .15  | 0.33 | –                               | 0.33 | –                                | 0.4  |      |
| I <sub>OL</sub> = 7.8mA  |                           | 6.0V   | –               | .16                    | 0.33 | –    | 0.33                            | –    | 0.4                              |      |      |
| I <sub>I</sub>           | Input Current             | V <sub>I</sub> = GND to 5.5V                                       | 6.0V            | –                      | –    | ±0.1 | –                               | ±1   | –                                | ±1   | µA   |
| I <sub>oz</sub>          | OFF-state output current  | Qn internal high or low<br>V <sub>O</sub> = V <sub>CC</sub> or Gnd | 6.0V            | –                      | –    | ±5   | –                               | ±5   | –                                | ±10  | µA   |
| I <sub>CC</sub>          | Supply Current            | V <sub>I</sub> = GND or V <sub>CC</sub><br>I <sub>O</sub> = 0      | 6.0V            | –                      | –    | 8.0  | –                               | 80   | –                                | 160  | µA   |
| C <sub>i</sub>           | Input Capacitance         | V <sub>i</sub> = V <sub>CC</sub> or GND                            | 6.0V            | –                      | 4    | 10   | –                               | 10   | –                                | 10   | pF   |

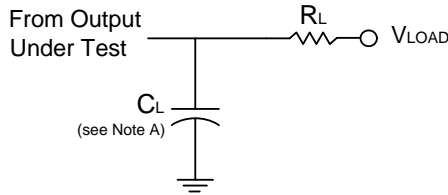
**Operating Characteristics** (@T<sub>A</sub> = +25°C, unless otherwise specified.)

| Parameter       |                               | Test Conditions                         | V <sub>CC</sub> = 5V | Unit |
|-----------------|-------------------------------|---|----------------------|------|
|                 |                               |   | Typ                  |      |
| C <sub>pd</sub> | Power dissipation capacitance | f = 1 MHz all outputs switching-no load | 43                   | pF   |

**Switching Characteristics**

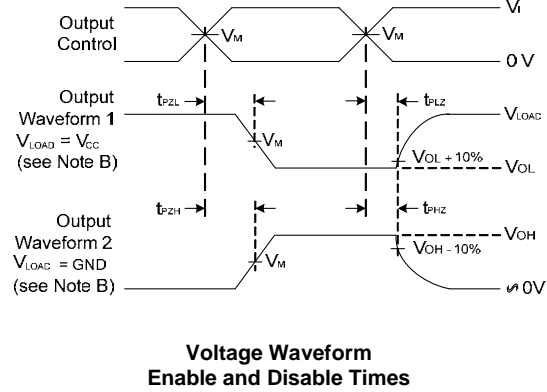
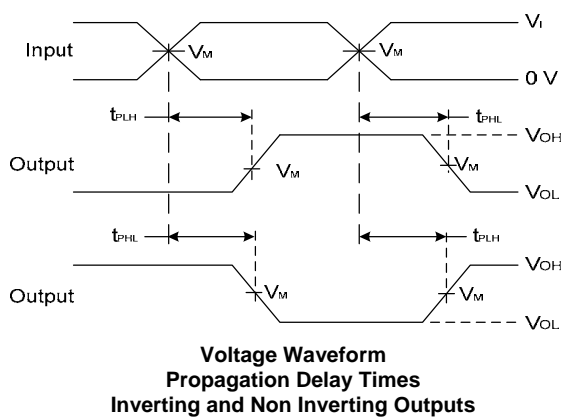
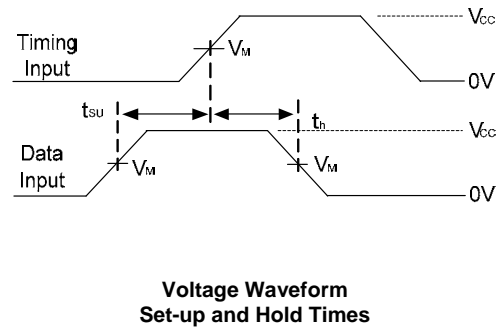
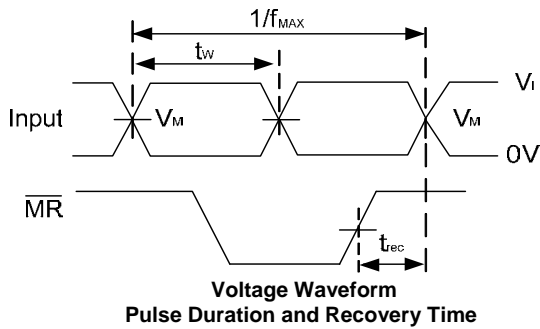
| Symbol / Parameter                    | Pins             | Test Conditions                  | V <sub>CC</sub> | T <sub>A</sub> = +25°C |     |     | -40°C to +85°C |     | -40°C to +125°C |     | Unit |
|---------------------------------------|------------------|----------------------------------|-----------------|------------------------|-----|-----|----------------|-----|-----------------|-----|------|
|                                       |                  |                                  |                 | Min                    | Typ | Max | Min            | Max | Min             | Max |      |
| f <sub>MAX</sub><br>Maximum Frequency | SHCP or STCP     | Figure 1                         | 2.0V            | 9                      | 30  | –   | 4.8            | –   | 4               | –   | MHz  |
|                                       |                  |                                  | 4.5V            | 30                     | 91  | –   | 24             | –   | 20              | –   |      |
|                                       |                  |                                  | 6.0V            | 35                     | 108 | –   | 28             | –   | 24              | –   |      |
| t <sub>w</sub><br>Pulse Width         | SHCP HIGH or LOW | Figure 1                         | 2.0V            | 75                     | 17  | –   | 95             | –   | 110             | –   | ns   |
|                                       |                  |                                  | 4.5V            | 15                     | 6   | –   | 19             | –   | 22              | –   |      |
|                                       |                  |                                  | 6.0V            | 13                     | 5   | –   | 16             | –   | 19              | –   |      |
|                                       | STCP HIGH or LOW | Figure 1                         | 2.0V            | 75                     | 11  | –   | 95             | –   | 110             | –   |      |
|                                       |                  |                                  | 4.5V            | 15                     | 4   | –   | 19             | –   | 22              | –   |      |
|                                       |                  |                                  | 6.0V            | 13                     | 3   | –   | 16             | –   | 19              | –   |      |
|                                       | MR LOW           | Figure 1                         | 2.0V            | 75                     | 17  | –   | 95             | –   | 110             | –   |      |
|                                       |                  |                                  | 4.5V            | 15                     | 6   | –   | 19             | –   | 22              | –   |      |
|                                       |                  |                                  | 6.0V            | 13                     | 5   | –   | 16             | –   | 19              | –   |      |
| t <sub>SU</sub><br>Set-up Time        | DS to SHCP       | Figure 1                         | 2.0V            | 50                     | 11  | –   | 65             | –   | 75              | –   | ns   |
|                                       |                  |                                  | 4.5V            | 10                     | 4   | –   | 13             | –   | 15              | –   |      |
|                                       |                  |                                  | 6.0V            | 9                      | 3   | –   | 11             | –   | 13              | –   |      |
|                                       | SHCP tp STCP     | Figure 1                         | 2.0V            | 75                     | 22  | –   | 95             | –   | 110             | –   | ns   |
|                                       |                  |                                  | 4.5V            | 15                     | 8   | –   | 19             | –   | 22              | –   |      |
|                                       |                  |                                  | 6.0V            | 13                     | 7   | –   | 16             | –   | 19              | –   |      |
| t <sub>H</sub><br>Hold Time           | DS to SHCP       | Figure 1                         | 2.0V            | 3                      | -6  | –   | 3              | –   | 3               | –   | ns   |
|                                       |                  |                                  | 4.5V            | 3                      | -2  | –   | 3              | –   | 3               | –   |      |
|                                       |                  |                                  | 6.0V            | 3                      | -2  | –   | 3              | –   | 3               | –   |      |
| t <sub>REC</sub><br>Recovery Time     | MR to SHCP       | Figure 1                         | 2.0V            | 50                     | -19 | –   | 65             | –   | 75              | –   | ns   |
|                                       |                  |                                  | 4.5V            | 10                     | -7  | –   | 13             | –   | 15              | –   |      |
|                                       |                  |                                  | 6.0V            | 9                      | -6  | –   | 11             | –   | 13              | –   |      |
| t <sub>PD</sub><br>Propagation Delay  | SHCP to Q7S      | Figure 1<br>C <sub>L</sub> =50pF | 2.0V            | –                      | 52  | 160 | –              | 200 | –               | 240 | ns   |
|                                       |                  |                                  | 4.5V            | –                      | 19  | 32  | –              | 40  | –               | 48  |      |
|                                       |                  |                                  | 6.0V            | –                      | 15  | 27  | –              | 34  | –               | 41  |      |
|                                       | STCP to Qn       | Figure 1<br>C <sub>L</sub> =50pF | 2.0V            | –                      | 55  | 175 | –              | 220 | –               | 265 | ns   |
|                                       |                  |                                  | 4.5V            | –                      | 20  | 35  | –              | 44  | –               | 53  |      |
|                                       |                  |                                  | 6.0V            | –                      | 16  | 30  | –              | 37  | –               | 45  |      |
| t <sub>PHL</sub><br>Propagation Delay | MR to Q7S        | Figure 1<br>C <sub>L</sub> =50pF | 2.0V            | –                      | 47  | 175 | –              | 220 | –               | 265 | ns   |
|                                       |                  |                                  | 4.5V            | –                      | 17  | 35  | –              | 44  | –               | 53  |      |
|                                       |                  |                                  | 6.0V            | –                      | 14  | 30  | –              | 37  | –               | 45  |      |
| t <sub>EN</sub><br>Enable Time        | OE to Qn         | Figure 1<br>C <sub>L</sub> =50pF | 2.0V            | –                      | 47  | 150 | –              | 190 | –               | 225 | ns   |
|                                       |                  |                                  | 4.5V            | –                      | 17  | 30  | –              | 38  | –               | 45  |      |
|                                       |                  |                                  | 6.0V            | –                      | 14  | 26  | –              | 33  | –               | 38  |      |
| t <sub>DIS</sub><br>Disable Time      | OE to Qn         | Figure 1<br>C <sub>L</sub> =50pF | 2.0V            | –                      | 41  | 150 | –              | 190 | –               | 225 | ns   |
|                                       |                  |                                  | 4.5V            | –                      | 15  | 30  | –              | 38  | –               | 45  |      |
|                                       |                  |                                  | 6.0V            | –                      | 12  | 26  | –              | 33  | –               | 38  |      |

**Parameter Measurement Information**



| TEST              | Vload    |
|-------------------|----------|
| $t_{PLH}/t_{PHL}$ | Open     |
| $t_{PLZ}/t_{PZL}$ | $V_{CC}$ |
| $t_{PHZ}/t_{PZH}$ | GND      |

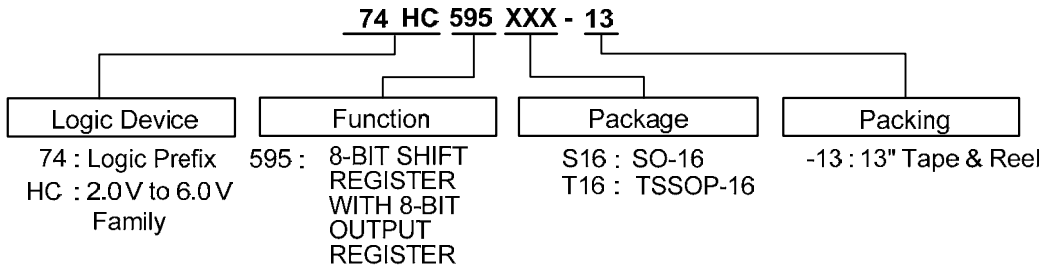
| $V_{CC}$ | Inputs   |           | $V_M$      | $C_L$ |
|----------|----------|-----------|------------|-------|
|          | $V_I$    | $t_r/t_f$ |            |       |
| 2.0V     | $V_{CC}$ | 6ns       | $V_{CC}/2$ | 50pF  |
| 4.5V     | $V_{CC}$ | 6ns       | $V_{CC}/2$ | 50pF  |
| 6.0V     | $V_{CC}$ | 6ns       | $V_{CC}/2$ | 50pF  |



- Notes:
- A. Includes test lead and test apparatus capacitance.
  - B. Output Waveform 1 depends on the internal  $Q_N$  node being low and behaves in this manner based on OE pin. Output Waveform 2 depends on the internal  $Q_N$  node being high and behaves in this manner based on OE pin.
  - C. All pulses are supplied at pulse repetition rate  $\leq 10\text{MHz}$
  - D. Inputs are measured separately one transition per measurement
  - E.  $t_{PLH}$  and  $t_{PHL}$  are the same as  $t_{PD}$

**Figure 1. Load Circuit and Voltage Waveforms**

## Ordering Information

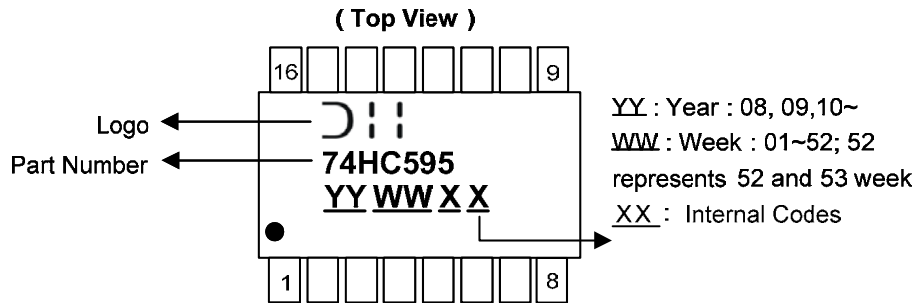


| Part Number   | Package Code | Packaging | 7" Tape and Reel (Note 6) |                    |
|---------------|--------------|-----------|---------------------------|--------------------|
|               |              |           | Quantity                  | Part Number Suffix |
| 74HC595S16-13 | S16          | SO-16     | 2500/Tape & Reel          | -13                |
| 74HC595T16-13 | T16          | TSSOP-16  | 2500/Tape & Reel          | -13                |

Note: 6. The taping orientation is located on our website at <http://www.diodes.com/datasheets/ap02007.pdf>

## Marking Information

(1) SO-16, TSSOP16



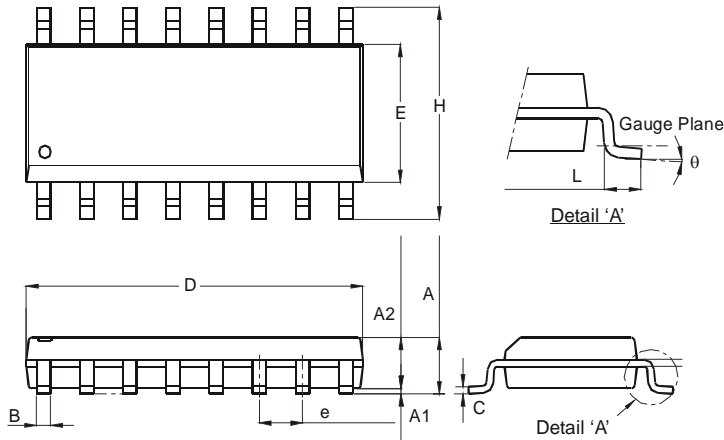
| Part Number | Package  |
|-------------|----------|
| 74HC595S16  | SO-16    |
| 74HC595T16  | TSSOP-16 |



**Package Outline Dimensions** (All dimensions in mm.)

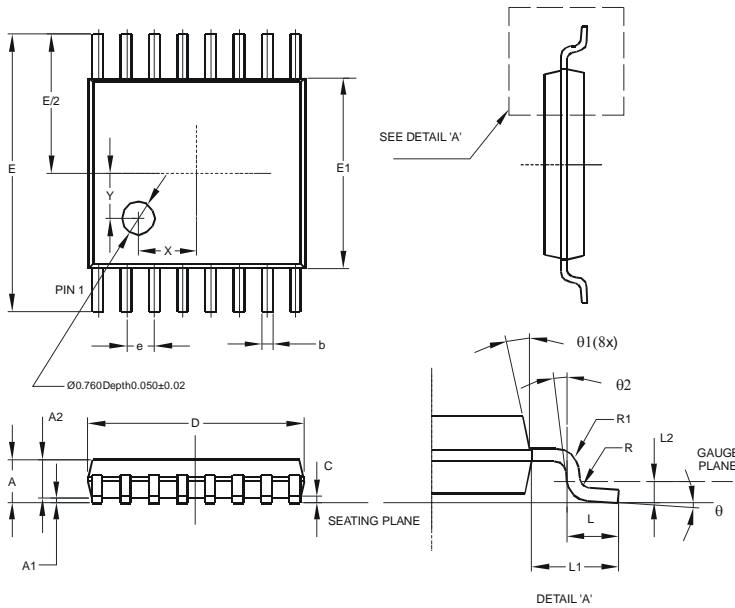
Please see AP02002 at <http://www.diodes.com/datasheets/ap02002.pdf> for latest version.

**Package Type: SO-16**



| SO-16                       |          |       |
|-----------------------------|----------|-------|
| Dim                         | Min      | Max   |
| A                           | 1.40     | 1.75  |
| A1                          | 0.10     | 0.25  |
| A2                          | 1.30     | 1.50  |
| B                           | 0.33     | 0.51  |
| C                           | 0.19     | 0.25  |
| D                           | 9.80     | 10.00 |
| E                           | 3.80     | 4.00  |
| e                           | 1.27 Typ |       |
| H                           | 5.80     | 6.20  |
| L                           | 0.38     | 1.27  |
| θ                           | 0°       | 8°    |
| <b>All Dimensions in mm</b> |          |       |

**Package Type: TSSOP-16**

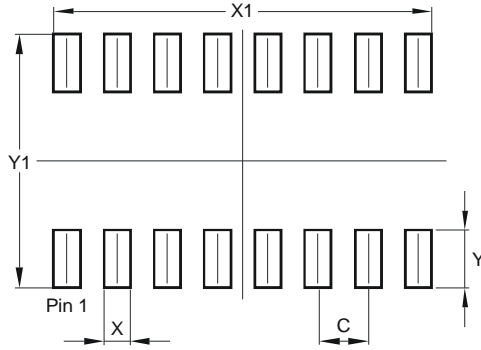


| TSSOP-16                    |          |      |       |
|-----------------------------|----------|------|-------|
| Dim                         | Min      | Max  | Typ   |
| A                           | -        | 1.08 | -     |
| A1                          | 0.05     | 0.15 | -     |
| A2                          | 0.80     | 0.93 | -     |
| b                           | 0.19     | 0.30 | -     |
| c                           | 0.09     | 0.20 | -     |
| D                           | 4.90     | 5.10 | -     |
| E                           | 6.40 BSC |      |       |
| E1                          | 4.30     | 4.50 | -     |
| e                           | 0.65 BSC |      |       |
| L                           | 0.45     | 0.75 | -     |
| L1                          | 1.00 REF |      |       |
| L2                          | 0.25 BSC |      |       |
| R                           | 0.09     | -    | -     |
| R1                          | 0.09     | -    | -     |
| X                           | -        | -    | 1.350 |
| Y                           | -        | -    | 1.050 |
| θ                           | 0°       | 8°   | -     |
| θ1                          | 5°       | 15°  | -     |
| θ2                          | 0°       | -    | -     |
| <b>All Dimensions in mm</b> |          |      |       |

**Suggested Pad Layout**

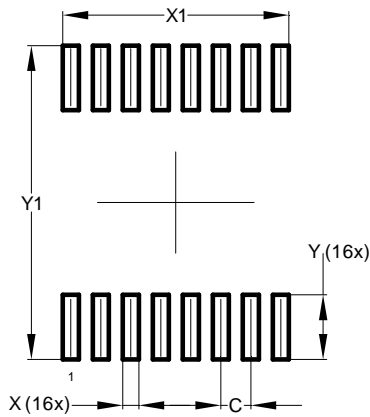
Please see AP02001 at <http://www.diodes.com/datasheets/ap02001.pdf> for the latest version.

Package Type: SO-16



| Dimensions | Value (in mm) |
|------------|---------------|
| C          | 1.270         |
| X          | 0.670         |
| X1         | 9.560         |
| Y          | 1.450         |
| Y1         | 6.400         |

Package Type: TSSOP-16



| Dimensions | Value (in mm) |
|------------|---------------|
| C          | 0.650         |
| X          | 0.350         |
| X1         | 4.900         |
| Y          | 1.400         |
| Y1         | 6.800         |

**IMPORTANT NOTICE**

DIODES INCORPORATED MAKES NO WARRANTY OF ANY KIND, EXPRESS OR IMPLIED, WITH REGARDS TO THIS DOCUMENT, INCLUDING, BUT NOT LIMITED TO, THE IMPLIED WARRANTIES OF MERCHANTABILITY AND FITNESS FOR A PARTICULAR PURPOSE (AND THEIR EQUIVALENTS UNDER THE LAWS OF ANY JURISDICTION).

Diodes Incorporated and its subsidiaries reserve the right to make modifications, enhancements, improvements, corrections or other changes without further notice to this document and any product described herein. Diodes Incorporated does not assume any liability arising out of the application or use of this document or any product described herein; neither does Diodes Incorporated convey any license under its patent or trademark rights, nor the rights of others. Any Customer or user of this document or products described herein in such applications shall assume all risks of such use and will agree to hold Diodes Incorporated and all the companies whose products are represented on Diodes Incorporated website, harmless against all damages.

Diodes Incorporated does not warrant or accept any liability whatsoever in respect of any products purchased through unauthorized sales channel.

Should Customers purchase or use Diodes Incorporated products for any unintended or unauthorized application, Customers shall indemnify and hold Diodes Incorporated and its representatives harmless against all claims, damages, expenses, and attorney fees arising out of, directly or indirectly, any claim of personal injury or death associated with such unintended or unauthorized application.

Products described herein may be covered by one or more United States, international or foreign patents pending. Product names and markings noted herein may also be covered by one or more United States, international or foreign trademarks.

This document is written in English but may be translated into multiple languages for reference. Only the English version of this document is the final and determinative format released by Diodes Incorporated.

**LIFE SUPPORT**

Diodes Incorporated products are specifically not authorized for use as critical components in life support devices or systems without the express written approval of the Chief Executive Officer of Diodes Incorporated. As used herein:

A. Life support devices or systems are devices or systems which:

1. are intended to implant into the body, or
2. support or sustain life and whose failure to perform when properly used in accordance with instructions for use provided in the labeling can be reasonably expected to result in significant injury to the user.

B. A critical component is any component in a life support device or system whose failure to perform can be reasonably expected to cause the failure of the life support device or to affect its safety or effectiveness.

Customers represent that they have all necessary expertise in the safety and regulatory ramifications of their life support devices or systems, and acknowledge and agree that they are solely responsible for all legal, regulatory and safety-related requirements concerning their products and any use of Diodes Incorporated products in such safety-critical, life support devices or systems, notwithstanding any devices- or systems-related information or support that may be provided by Diodes Incorporated. Further, Customers must fully indemnify Diodes Incorporated and its representatives against any damages arising out of the use of Diodes Incorporated products in such safety-critical, life support devices or systems.

Copyright © 2013, Diodes Incorporated

[www.diodes.com](http://www.diodes.com)