

PLEASE CHECK WWW.MOLEX.COM FOR LATEST PART INFORMATION

Part Number: [39-03-6060](#)
Status: **Active**
Overview: Standard .093" Pin and Socket Connectors
Description: 2.36mm Diameter Standard .093" Pin and Socket Plug Housing with Positive Latch, UL 94V-2, with Panel Mount, 6 Circuits

Documents:

[3D Model](#) [Packaging Specification SPK-3191-001 \(PDF\)](#)
[Drawing \(PDF\)](#) [RoHS Certificate of Compliance \(PDF\)](#)
[Product Specification PS-3191-001 \(PDF\)](#)

Agency Certification

CSA LR19980
 UL E29179

General

Product Family Crimp Housings
 Series [3191](#)
 Application Power, Wire-to-Board, Wire-to-Wire
 Comments Polarized to Mating Part
 Overview [Standard .093" Pin and Socket Connectors](#)
 Product Name Standard .093"
 UPC 800753756885

Physical

Breakaway No
 Circuits (maximum) 6
 Circuits Detail 2x3
 Color - Resin Natural
 Flammability 94V-2
 Gender Plug
 Glow-Wire Compliant No
 Keying to Mating Part None
 Lock to Mating Part Yes
 Material - Resin Nylon
 Net Weight 7382.000/mg
 Number of Rows 2
 Packaging Type Bag
 Panel Mount Yes
 Pitch - Mating Interface 6.70mm
 Polarized to Mating Part Yes
 Stackable No
 Temperature Range - Operating -40°C to +105°C

Electrical

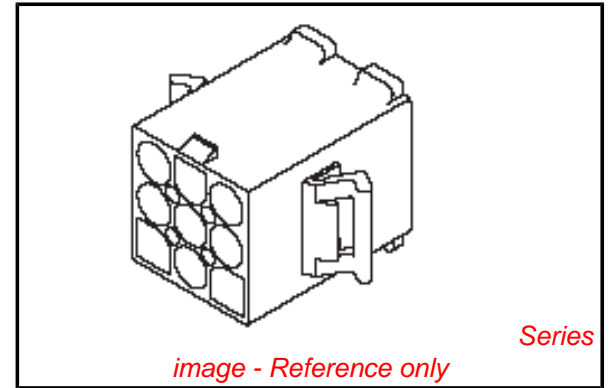
Current - Maximum per Contact 9A

Material Info

Old Part Number 3191-06P

Reference - Drawing Numbers

Packaging Specification SPK-3191-001
 Product Specification PS-3191-001
 Sales Drawing SD-3191-015



EU RoHS

**ELV and RoHS
 Compliant**

REACH SVHC

**Contains SVHC: No
 Low-Halogen Status
 Low-Halogen**

China RoHS



**Need more information on product
 environmental compliance?**

Email productcompliance@molex.com
 For a multiple part number RoHS Certificate of
 Compliance, [click here](#)

Please visit the [Contact Us](#) section for any
 non-product compliance questions.

Search Parts in this Series

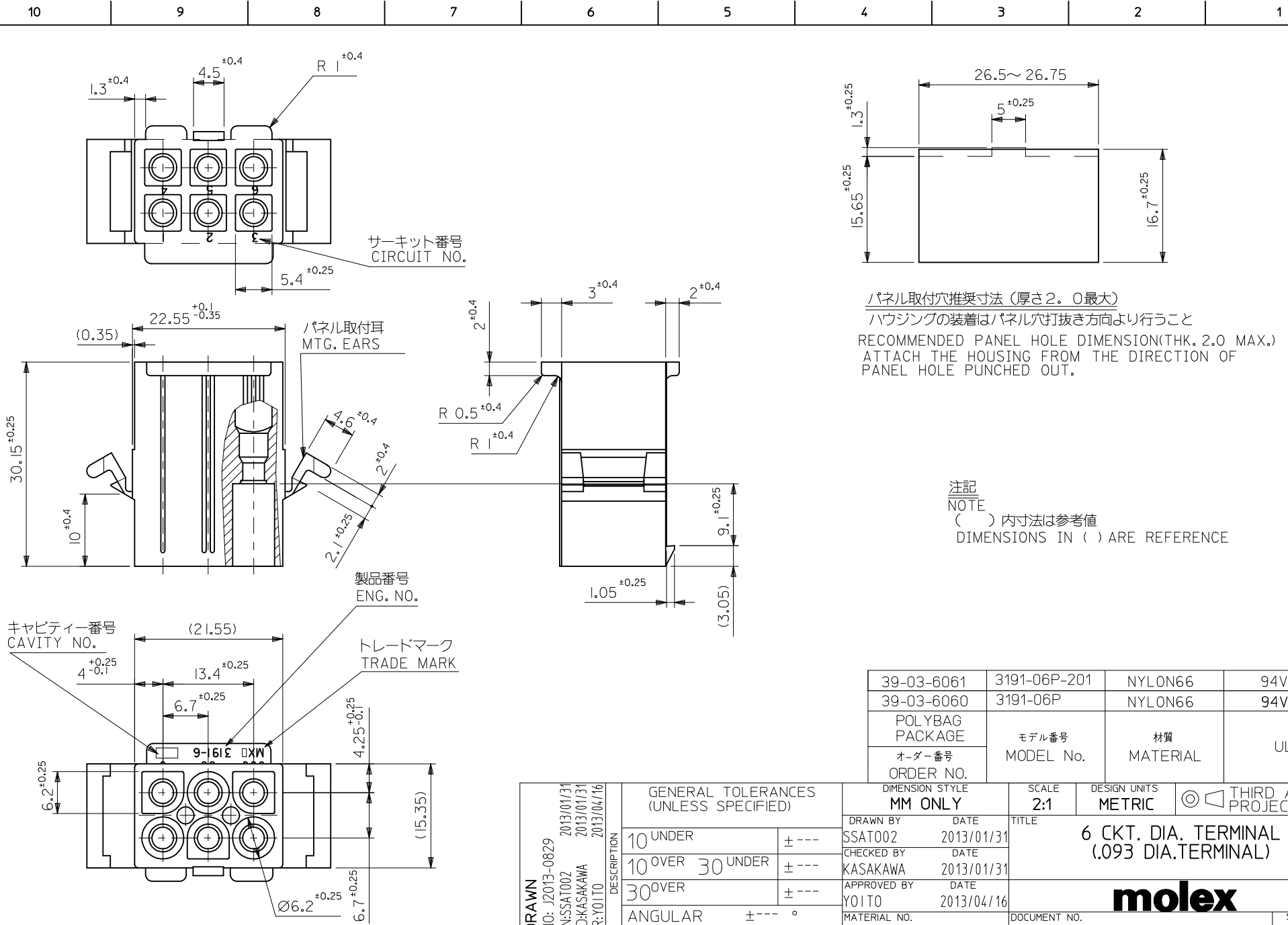
[3191Series](#)

Mates With

[39-03-6064](#) , [5219](#)

Use With

[1189](#) Crimp Terminals, [1190](#) Crimp
 Terminals, [1380](#) Male Crimp Terminals,
[1381](#) Female Crimp Terminals, [1433](#) Crimp
 Terminals, [1434](#) Male Crimp Terminals,
[2605](#) , [2606](#) , [1973](#) , [2151](#) , [2273](#) , [2870](#) ,
[2871](#) , [4272](#)



パネル取付穴推奨寸法 (厚さ2.0最大)
 ハウジングの装着はパネル穴打抜き方向より行うこと
 RECOMMENDED PANEL HOLE DIMENSION (THK. 2.0 MAX.)
 ATTACH THE HOUSING FROM THE DIRECTION OF
 PANEL HOLE PUNCHED OUT.

注記
 NOTE
 () 内寸法は参考値
 DIMENSIONS IN () ARE REFERENCE

39-03-6061	3191-06P-201	NYLON66	94V-0
39-03-6060	3191-06P	NYLON66	94V-2
POLYBAG PACKAGE	モデル番号 MODEL No.	材質 MATERIAL	UL
オーダー番号 ORDER NO.			

REDRAWN EC NO.: J2013-0829 DRWN: SSAT002 2013/01/31 CHKD: KASAKAWA 2013/01/31 APPR: YOITO 2013/04/16	DESCRIPTION GENERAL TOLERANCES (UNLESS SPECIFIED) 10 UNDER ± --- 10 OVER 30 UNDER ± --- 30 OVER ± --- ANGULAR ± --- ° DRAFT WHERE APPLICABLE MUST REMAIN WITHIN DIMENSIONS	DIMENSION STYLE MM ONLY		SCALE 2:1	DESIGN UNITS METRIC	THIRD ANGLE PROJECTION	
		DRAWN BY SSAT002	DATE 2013/01/31	TITLE 6 CKT. DIA. TERMINAL (.093 DIA. TERMINAL)			
		CHECKED BY KASAKAWA	DATE 2013/01/31				
		APPROVED BY YOITO	DATE 2013/04/16	MATERIAL NO. SEE CHART	DOCUMENT NO. SD-3191-015	SHEET NO. 1 OF 1	