

TECHNICAL CHARACTERISTICS

MATERIAL  
 INSULATOR: PA 66  
 FLAMABILITY RATING: UL94-V0  
 COLOR: GREEN  
 METAL HOUSING: BRASS (CuZn)  
 CONTACT: PhBz TIN PLATED  
 WIRE GUARD: STAINLESS STEEL

ENVIRONMENTAL  
 OPERATING TEMPERATURE: -40 UP TO 105°C  
 COMPLIANCE: LEAD FREE AND ROHS

ELECTRICAL  
 CURRENT RATING: 10A  
 WORKING VOLTAGE: 300VAC  
 WITHSTANDING VOLTAGE: 1.6KV  
 CONTACT RESISTANCE: 20 mOhm MAX

MECHANICAL  
 SOLID WIRE: 26-12 AWG / 0.13-3.0MM<sup>2</sup>  
 STRANDED WIRE: 26-12 AWG / 0.13-3.0MM<sup>2</sup>

WIRE STRIPE LENGTH: 6-7MM  
 PITCH: 5.08MM

PACKAGING  
 BOX

SERIE 353

CERTIFICATION



A

B

C

RoHS Compliant			
G			
F			
E			
D			
C	29-OCT-08	CHARACTERISTICS	JP
B	19-MAR-08	PAGE 2	CH
A	31-OCT-07	PDF	EC
REV	DATE	FILE	BY

PROJECTION:	
APPROVAL: RJ	

GENERAL TOLERANCE	.X = +/- 0.2
	.XX = +/- 0.15

UNIT: MM	
SCALE:	
SHEET: 1/2	
DRAW: MARVIN	

DESCRIPTION: SERIE 353 - 5.08MM SCREWLESS VERTICAL CABLE ENTRY PLUG 3.0MM <sup>2</sup> WIRES WR-TBL	SIZE <b>A4</b>
WERI PART NO: 691 353 500 0xx	

D

1

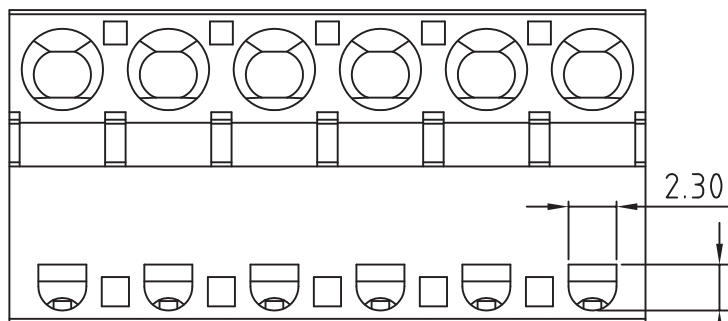
2

3

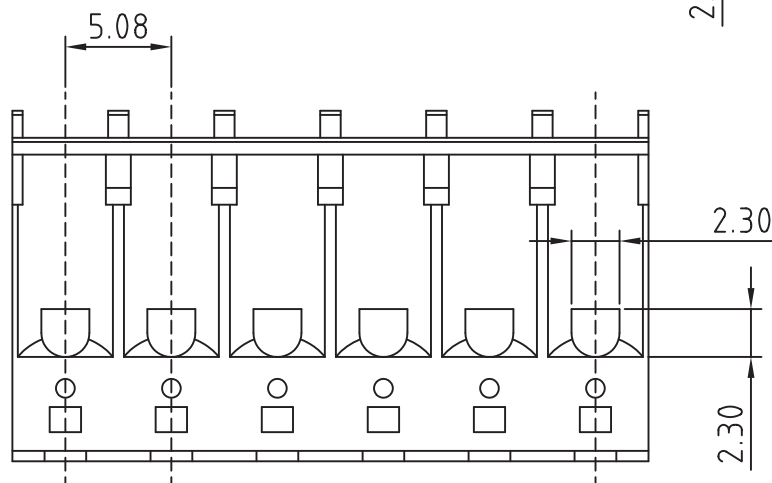
4

5

## TEST POINT DETAILS:

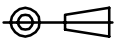



FRONT TEST POINT



TOP TEST POINT

RoHS Compliant

G				PROJECTION: 	GENERAL TOLERANCE .X = $\pm 0.2$ .XX = $\pm 0.15$		DESCRIPTION: SERIE 353 - 5.08MM SCREWLESS VERTICAL CABLE ENTRY PLUG 3.0MM <sup>2</sup> WIRES WR-TBL	SIZE <b>A4</b>	
F									
E									
D									
C	29-OCT-08	CHARACTERISTICS	JP	APPROVAL: RJ	UNIT: MM	WERI PART NO: 691 353 500 0xx			
B	19-MAR-08	PAGE 2	CH		SCALE:				
A	31-OCT-07	PDF	EC		SHEET: 1/2				
REV	DATE	FILE	BY		DRAW: MARVIN				

A

B

C

D