

## X80-04 MULTI-VOLTAGE MAINS XENON BEACON

### LOW VOLTAGE AND EMC DIRECTIVES

This beacon is CE-marked to show compliance with the Low Voltage Directive 2006/95/EC and the EMC Directive 2004/104/EC. To maintain compliance with these directives it is necessary that good installation practice is followed and a qualified electrician should be consulted.

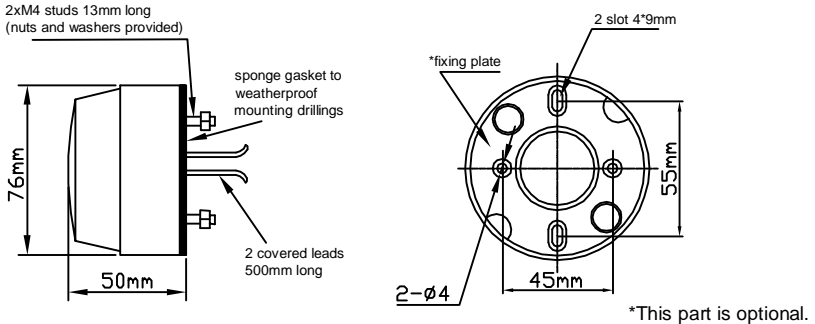
1. This beacon is designed to comply with IP67 when correctly installed. To ensure a weatherproof installation the beacon must be fitted with the foam gasket and mounted on a flat panel or surface. The panel or surface should be drilled to accept the wires and M4 studs as shown.(see below)

**Access to the power supply wires must be prevented either by fitting a suitable sleeve or by means of a barrier.**

2. Connect 2 wires to a suitable power source (115/230Vac)  
( 85-265Vac)

Ensure that the Brown wire is connected to the Live terminal & the Blue wire is connected to the Neutral terminal.

### X80-04 BEACON



### X80-04 BEACON RANGE INSTALLATION

