

Panel Pushbuttons

Pushbutton switch assembly to be used with miniature (V3 style) snap action microswitch.



Description

Pushbutton switch assembly kit to be used in conjunction with miniature (V3 size) snap action microswitches. Kits are supplied in bags of 5 and are available with one of three different button & bezel combinations: 1. large button with chrome plated bezel, 2. large button with black bezel, or 3. small button with chrome-plated bezel. The assembly is simple (clip fit) and the buttons are available in five colours: red, green, black, white or yellow.

Part Numbers

RS Part Number	CHERRY Part Number	Button Size	Bezel Type	Button Colour
8126501	D4PB-SCA-PK5	Small	Chrome-plated	Assorted
8126510	D4PB-SCB-PK5	Small	Chrome-plated	Black
8126513	D4PB-SCG-PK5	Small	Chrome-plated	Green
8126517	D4PB-SCR-PK5	Small	Chrome-plated	Red
8126526	D4PB-SCW-PK5	Small	Chrome-plated	White
8126529	D4PB-SCY-PK5	Small	Chrome-plated	Yellow
8126523	D4PB-LBA-PK5	Large	Black	Assorted
8126532	D4PB-LBB-PK5	Large	Black	Black
8126535	D4PB-LBG-PK5	Large	Black	Green
8126539	D4PB-LBR-PK5	Large	Black	Red
8126548	D4PB-LBW-PK5	Large	Black	White
8126541	D4PB-LBY-PK5	Large	Black	Yellow
8126545	D4PB-LCA-PK5	Large	Chrome-plated	Assorted
8126554	D4PB-LCB-PK5	Large	Chrome-plated	Black
8126557	D4PB-LCG-PK5	Large	Chrome-plated	Green
8126551	D4PB-LCR-PK5	Large	Chrome-plated	Red
8126560	D4PB-LCW-PK5	Large	Chrome-plated	White
8126563	D4PB-LCY-PK5	Large	Chrome-plated	Yellow

Microswitch Selection

The microswitch is not included with the kit. Any one of a number of CHERRY D4-series microswitches can be used, although for better tactile feedback the operating force of the switch should be no less than 150cN.

The suggested CHERRY microswitches are available with varying electrical ratings, ranging from 0.1A to 21A, all of which are ENEC and UL approved.

Example suitable D4-series part numbers:
D413-V3AA, D443-V3AA, D453-B8AA,
D453-V1AA, D489-V1AA, D489-V3AA

Specifications

- Momentary OFF-(ON) switch function
- Environmental protection IP40
- The temperature range -40 to +85°C

Kit Contents Large Button*



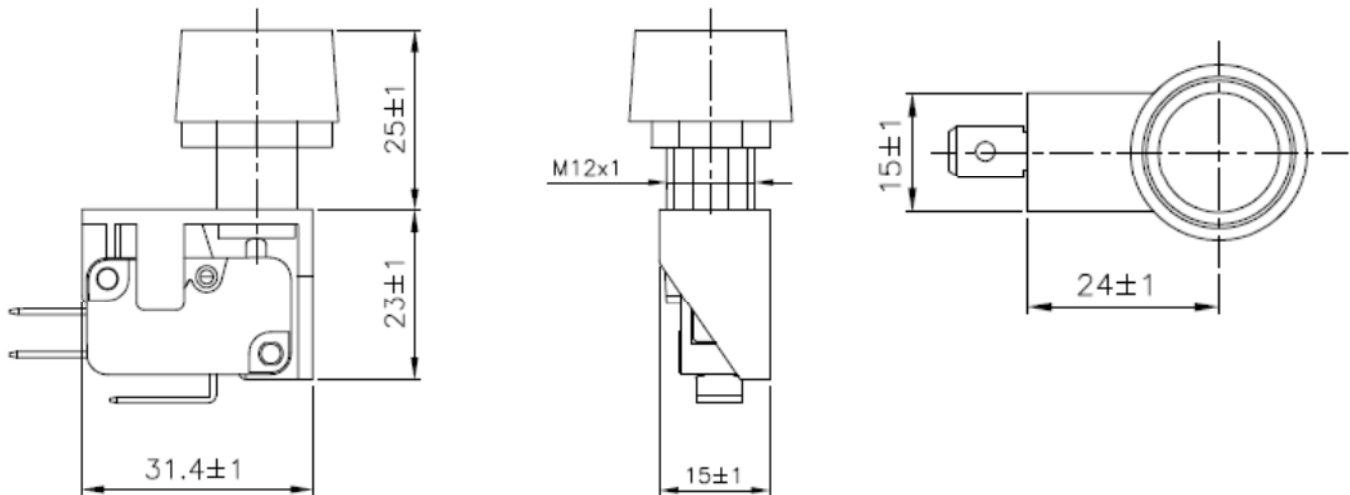
*example: part number 8126551

Kit Contents Small Button*



*example: part number 8126517

Dimensions – Large Button



Dimensions – Small Button

