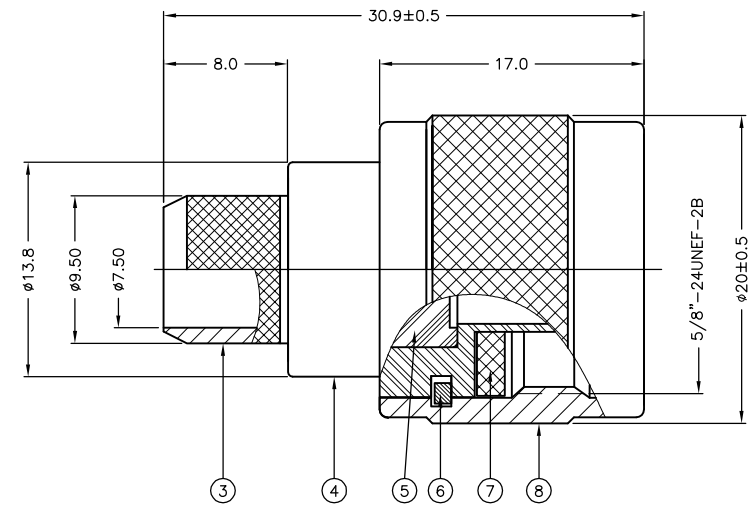
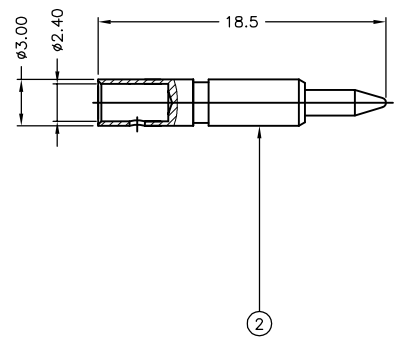
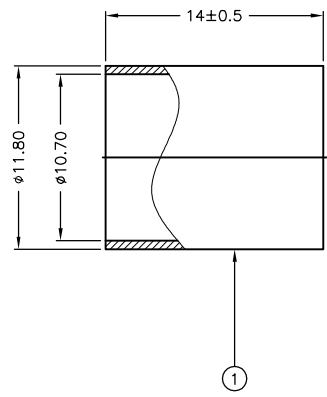


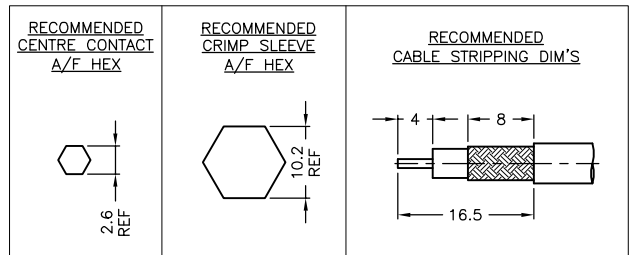
THIS DRAWING IS UNPUBLISHED. RELEASED FOR PUBLICATION SEP ,2005.
 ALL RIGHTS RESERVED.

LOC	DIST	REVISIONS					
E	B	P	LTR	DESCRIPTION	DATE	DWN	APVD
		D		ECR-14-019316	31DEC2014	RZ	MY

NOT RELEASED



- NOTES:**
- 1 PACKAGE ONE COMPLETE CONNECTOR IN HEAT SEALED, LABELED BAG/ 250 PCS PER SHIPPING BOX. LABELED PER TEC-107-115.
 - 2 100 TRAY PACK IN ACCORDANCE WITH AMP SPEC 107-3275
 - 3 Ag PLATING
 - 4 PASSIVATION
 - 5 THIS ITEM MUST BE WHITE
- 6 HAND TOOL: 9-1478239-0
- 7 **ELECTRICAL CHARACTERISTICS**
- | | |
|-------------------------------|-----------------------------|
| FREQUENCY RANGE: | DC - 11 GHz |
| NOMINAL IMPEDANCE: | 50 Ohm |
| INSULATION RESISTANCE: | 5000 MOhm |
| WORKING VOLTAGE: | 1000 Volts RMS at Sea Level |
| DIELECTRIC WITHSTAND VOLTAGE: | 2500 Volts RMS Max |
| CONTACT RESISTANCE: | |
| CENTER CONTACT: | 1.00 mOhm Max |
| OUTER CONTACT: | 1.00 mOhm Max |
| VSWR @ 4GHz: | 1.30:1 Max |
| INSERTION LOSS dB @ x 4 GHz: | 0.30 Max |
- 8 **MECHANICAL CHARACTERISTICS**
- | | |
|-------------------------------|----------------|
| COUPLING NUT RETENTION FORCE: | 445N Min |
| CABLE RETENTION FORCE: | 350N Min |
| DURABILITY: | 500 Cycles Min |
- 9 **ENVIRONMENTAL CHARACTERISTICS**
- | | |
|------------------------|------------------|
| OPERATING TEMPERATURE: | -65 to +165 DegC |
|------------------------|------------------|



QUANTITY	PER ASSY	MATERIAL	DESCRIPTION	ITEM
1	1	BRASS	SHELL	8
1	1	SILICON RUBBER	GASKET	7
1	1	STAINLESS STEEL	CIRCLIP	6
1	1	PTFE	INSULATION	5
1	1	BRASS	BODY	4
1	1	BRASS	OUTER CONTACT	3
1	1	BRASS	CONTACT	2
1	1	BRASS	FERRULE	1
6-0	1-0			
		MATERIAL	DESCRIPTION	ITEM

THIS DRAWING IS A CONTROLLED DOCUMENT.		DWN J.SANDWELL 21SEP05													
		CHK S.PARLOW 21SEP05													
		APVD F.WHEELER-KING 21SEP05	NAME												
DIMENSIONS: mm		PRODUCT SPEC		TYPE-N STRAIGHT PLUG CRIMP 50 OHM PSF 1/4, RG8A/U, 213/U, URM67, KX4											
TOLERANCES UNLESS OTHERWISE SPECIFIED:		APPLICATION SPEC													
<table border="0"> <tr><td>0 PLC</td><td>± -</td></tr> <tr><td>1 PLC</td><td>± 0.2</td></tr> <tr><td>2 PLC</td><td>± 0.1</td></tr> <tr><td>3 PLC</td><td>± -</td></tr> <tr><td>4 PLC</td><td>± -</td></tr> <tr><td>ANGLES</td><td>± -</td></tr> </table>		0 PLC	± -	1 PLC	± 0.2	2 PLC	± 0.1	3 PLC	± -	4 PLC	± -	ANGLES	± -	108-112000	
0 PLC	± -														
1 PLC	± 0.2														
2 PLC	± 0.1														
3 PLC	± -														
4 PLC	± -														
ANGLES	± -														
MATERIAL SEE TABLE		411-3247													
FINISH SEE TABLE		WEIGHT -													
		CUSTOMER DRAWING													
		SIZE A3	CAGE CODE 00779	DRAWING NO C-1337410											
		RESTRICTED TO -													
		SCALE NTS	SHEET 1 OF 1	REV D											