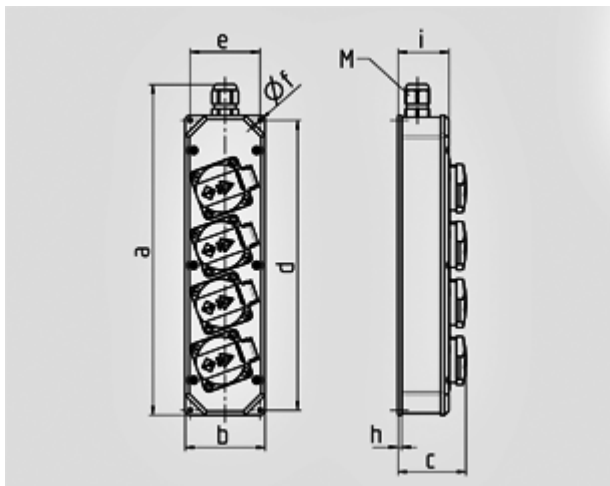


Receptacle strip - Part no. 88678


- pre-wired for installation
- enclosure grey RAL 7035
- Enclosure and insert made of AMAPLAST.
- hanging clip enclosed

Protection type IP 44
 Fitted with 4 SCHUKO® 16A, 230V
 insert tilted through 30°
 Connection/feeder cable for 1 cable up to 3 x 2.5 mm²
 Enclosure size 330 x 80 mm (H x W)



| Drawing 1 MB 446 | | |
|---------------------|---|-----|
| Dim. in mm | | |
| | a | 330 |
| | b | 80 |
| | c | 68 |
| | d | 290 |
| | e | 70 |
| | f | 4,3 |
| | h | 3,8 |
| | i | 51 |
| | M | 20 |