

918D SERIES 25mm SINGLE RATIO METAL GEARBOX (RE280 MOTOR/RE 280/1 MOTOR)



WITH 2mm OUTPUT SHAFT (15:1 ONLY)



WITH 4mm OUTPUT SHAFT (ALL RATIOS)

RATIOS NOW AVAILABLE AS EX-STOCK ITEMS.

918D151 (1.5v - 3v) WITH RE 280 MOTOR (RATIO 15:1). 2mm SHAFT
 918D151/1 (1.5v - 3v) WITH RE 280 MOTOR (RATIO 15:1). 4mm SHAFT
 918D301/1 (1.5v - 3v) WITH RE 280 MOTOR (RATIO 30:1). 4mm SHAFT
 918D1001/1 (1.5v - 3v) WITH RE 280 MOTOR (RATIO 100:1). 4mm SHAFT
 918D2501/1 (1.5v - 3v) WITH RE 280 MOTOR (RATIO 250:1). 4mm SHAFT
 918D3601/1 (1.5v - 3v) WITH RE280/3 MOTOR (RATIO 360:1). 4mm SHAFT
 918D5001/1 (1.5v - 3v) WITH RE280 MOTOR (RATIO 500:1). 4mm SHAFT

918D15112 (12v - 24v) WITH RE 280/1 MOTOR (RATIO 15:1). 2mm SHAFT
 918D15112/1 (12v - 24v) WITH RE 280/1 MOTOR (RATIO 15:1). 4mm SHAFT
 918D30112/1 (12v - 24v) WITH RE 280/1 MOTOR (RATIO 30:1). 4mm SHAFT
 918D100112/1 (12v - 24v) WITH RE 280/1 MOTOR (RATIO 100:1). 4mm SHAFT
 918D250112/1 (12v - 24v) WITH RE280/1 MOTOR (RATIO 250:1). 4mm SHAFT
 918D360112/1 (12v - 24v) WITH RE280/4 MOTOR (RATIO 360:1). 4mm SHAFT
 918D500112/1 (12v - 24v) WITH RE280 MOTOR (RATIO 500:1). 4mm SHAFT
 918D10241/1 (12v - 24v) WITH RE280/1 MOTOR (RATIO 1024:1). 4mm SHAFT

This miniature gearbox is of steel and brass construction with brass gears and is mounted on a 1mm thickness steel bracket. It incorporates a high quality three pole motor with sleeved bearings. The design and construction of the unit make it suitable for a host of model and light industrial applications.

MOTOR DATA. (RE-280 & RE-280/1)

MODEL	VOLTAGE		NO LOAD		AT MAXIMUM EFFICIENCY						STALL TORQUE	
	OPERATING RANGE	NOMINAL	SPEED	CURRENT	SPEED	CURRENT	TORQUE		OUTPUT	EFF	STALL TORQUE	
			R.P.M.	A	R.P.M.	A	oz - in	g - cm	W	%	oz - in	g - cm
RE - 280	1.5 - 3.0	1.5v CONSTANT	4600	0.120	3750	0.53	0.160	11.53	0.44	56.2	0.86	62.0
RE - 280	1.5 - 3.0	3.0v CONSTANT	9200	0.155	7800	0.85	0.278	20.00	1.60	62.3	1.81	130.0
RE - 280/1	12 - 24	12v CONSTANT	8400	0.10	6300	0.30	0.347	25.0	1.62	44.87	1.389	100
RE - 280/3	1.5 - 3	3v CONSTANT	8800	0.24	7200	1.06		23.2	1.71	53.8		126
RE - 280/4	12 - 24	12v CONSTANT	8224	0.046	6636	0.194		19.2		56.1		99.3

Stall Current RE280 at 1.5v = 2.41A

REDUCTION TABLE. R.P.M.

SUPPLY VOLTAGE	1.5v	3.0v	6v	12v	18v	24v
918D61	730	1409				
918D6112			476	1158	1974	2684
918D151	319	604				
918D15112			193	472	778	1086
918D301	159	296				
918D30112			96	238	405	543
918D1001	43	87				
918D100112			30	74	124	166
918D2501	18	34				
918D250112			12	29	50	67
918D3601	11	23				
918D360112			10	23	35	48
918D5001	8	15				
918D500112			7.5	16	25	33
918D10241	4.5	8.75				
918D1024112			2.8	7.25	12	16.75

WEIGHT	
918D61	75g
918D6112	75g
918D151	75g
918D15112	72g
918D301	75g
918D30112	75g
918D1001	77g
918D100112	77g
918D2501	78g
918D250112	78g
918D3601	87g
918D360112	87g
918D5001	g
918D500112	g
918D10241	89g
918D1024112	89g

GEARBOX RATINGS

RATED TORQUE (g.cm)	TOLERANCE	MAX. MOMENTARY TOLERANCE TORQUE
6:1	300	900
15:1	400	1200
30:1	600	1800
100:1	1000	3000
250:1	1200	3600
360:1	1200	3600
500:1	1200	3600
1024:1	1500	4500

Note: Motor speeds may vary by (+) or (-) 12.5%

IMPORTANT NOTICE

At very low ratios the torque produced by this geared motor combination may exceed the maximum permissible torque of the gearbox. In this situation the unit must not be allowed to stall as this may damage the gears. Please refer to the table of the gearbox ratings to ascertain the appropriate geared motor combination.

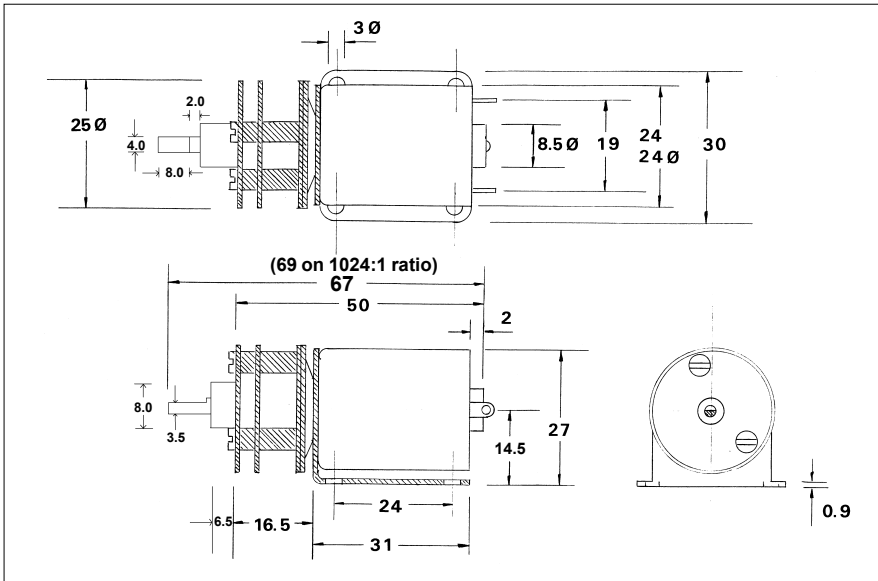
IMPORTANT NOTICE

Due to the wide range of applications for this product it is the users responsibility to establish the products suitability for their individual purpose(s).

NOTE: To establish Torque Rating in nM, divide g.cm by 10,197.0

918D SERIES 25mm SINGLE RATIO METAL GEARBOX

GEARBOX DIMENSIONS.



Part No. 1071. Anti vibration mount. M3



Part No. 918D8. Stainless Steel Shaft. 4mm OD x 150mm



Part No. 918D10. Bearing Blocks. 4mm I.D. (20 x 20 x 12.5mm)



Part No. 1105/61 Universal Coupling. 4mm - 4mm

ACCESSORIES FOR 918D SERIES GEARBOX.



Part No. 917D9. Voltage Regulator.

(6-15v DC Input, 3v, 1.5amp output)

Part No. 917D10. Voltage Regulator.

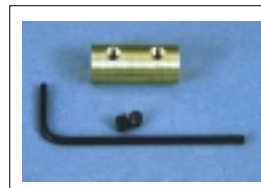
(6-15v DC Input. 1.5v, 1.5amp output)

Part No. 917D11. Voltage Regulator.

(6-15v DC Input. 4.5v, 1.5amp output) (Above for 280 motor only)



Part No. 918D7. Nylon Bevel Gears (1:1). O.D. 17.2mm. 4mm I.D.



Part No. 918D1. In-Line Coupling. 2mm - 3mm. (Dia. 8mm x 18.4mm)



Part No. 918D4. Gear Adapter. 2mm I.D. Shaft Dia 6mm.

Part No. 918D4/1 Gear Adapter. 4mm I.D. Shaft Dia 6mm.

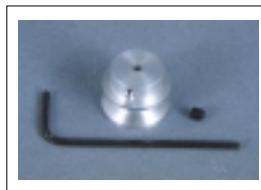


Part No. 917D2458. Pinions (Plastic) 12 tooth. 1.9mm I.D.



Part No. 918D2. Pulley. 2mm I.D. (25mm dia. x 14.75mm) (Aluminium)

Part No. 918D2/1. Pulley 4mm I.D. (25mm dia. x 14.75mm) (Aluminium)



Part No. 918D3. Pulley. 2mm I.D. (16mm dia. x 13.6mm) (Aluminium)

Part No. 918D3/1. Pulley 4mm I.D. (16mm dia x 13.6mm) (Aluminium)



Part No. 917D2515. "O" Ring 70mm x 5mm Dia.

Subject to minimum order quantities of 250 units, the following ratios are also available with a six week lead-time.

The physical dimensions of these other gearboxes may vary from the data as illustrated above. Details of individual gearboxes are available upon request.

- GEARBOX 6:1 with RE280 motor (1.5v - 3v)
- GEARBOX 10:1 with RE280 motor (1.5v - 3v)
- GEARBOX 21:1 with RE280 motor (1.5v - 3v)
- GEARBOX 44:1 with RE280 motor (1.5v - 3v)
- GEARBOX 60:1 with RE280 motor (1.5v - 3v)
- GEARBOX 77:1 with RE280 motor (1.5v - 3v)
- GEARBOX 112:1 with RE280 motor (1.5v - 3v)
- GEARBOX 150:1 with RE280 motor (1.5v - 3v)
- GEARBOX 170:1 with RE280 motor (1.5v - 3v)
- GEARBOX 200:1 with RE280 motor (1.5v - 3v)
- GEARBOX 250:1 with RE280 motor (1.5v - 3v)
- GEARBOX 320:1 with RE280 motor (1.5v - 3v)
- GEARBOX 360:1 with RE280 motor (1.5v - 3v)
- GEARBOX 400:1 with RE280 motor (1.5v - 3v)
- GEARBOX 500:1 with RE280 motor (1.5v - 3v)
- GEARBOX 700:1 with RE280 motor (1.5v - 3v)
- GEARBOX 800:1 with RE280 motor (1.5v - 3v)
- GEARBOX 900:1 with RE280 motor (1.5v - 3v)
- GEARBOX 1153:1 with RE280 motor (1.5v - 3v)

- GEARBOX 6:1 with RE280/1 motor (12v - 24v)
- GEARBOX 10:1 with RE280/1 motor (12v - 24v)
- GEARBOX 21:1 with RE280/1 motor (12v - 24v)
- GEARBOX 44:1 with RE280/1 motor (12v - 24v)
- GEARBOX 60:1 with RE280/1 motor (12v - 24v)
- GEARBOX 77:1 with RE280/1 motor (12v - 24v)
- GEARBOX 112:1 with RE280/1 motor (12v - 24v)
- GEARBOX 150:1 with RE280/1 motor (12v - 24v)
- GEARBOX 170:1 with RE280/1 motor (12v - 24v)
- GEARBOX 200:1 with RE280/1 motor (12v - 24v)
- GEARBOX 250:1 with RE280/1 motor (12v - 24v)
- GEARBOX 320:1 with RE280/1 motor (12v - 24v)
- GEARBOX 360:1 with RE280/1 motor (12v - 24v)
- GEARBOX 400:1 with RE280/1 motor (12v - 24v)
- GEARBOX 500:1 with RE280/1 motor (12v - 24v)
- GEARBOX 700:1 with RE280/1 motor (12v - 24v)
- GEARBOX 800:1 with RE280/1 motor (12v - 24v)
- GEARBOX 900:1 with RE280/1 motor (12v - 24v)
- GEARBOX 1153:1 with RE280/1 motor (12v - 24v)

with RE280/1 motor (12v - 24v)