



Main

Range of product	Magelis GTU
Product or component type	Advanced touchscreen panel
Terminal type	Touchscreen display

Complementary

[Us] rated supply voltage	12...24 V DC power supply
Supply voltage limits	10.8...28.8 V
Power consumption	11.5 W
Display size	12.1 inch
Display type	Colour TFT LCD
Display resolution	1280 x 800 pixels WVGA
Display colour	262144 colors
Backlight lifespan	50000 hours
Touch panel	Single touch analogue resistive
Type of installation	Indoor installation
Type of cooling	Natural convection
Inrush current	30 A
Cut-out dimensions	295 (+ 1/- 0) x 217 (+ 1/- 0) mm
Width	308.5 mm
Height	230.5 mm
Depth	67 mm
Product weight	3 kg

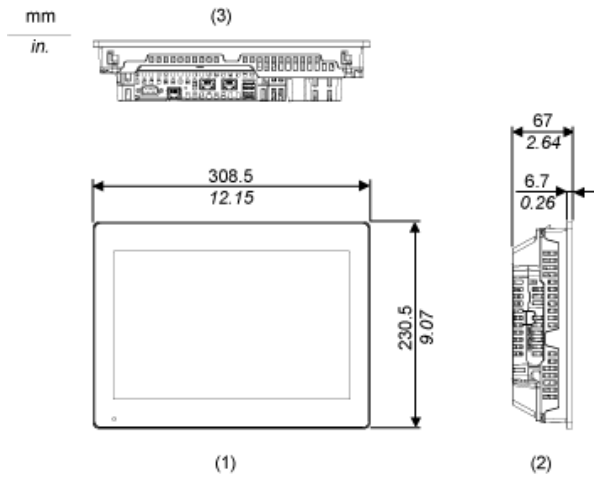
Environment

IP degree of protection	IP67 (front panel) IP66 (front panel)
NEMA degree of protection	NEMA 4X (front panel)
Standards	IEC 61132-2 CSA C22.2 No 142 CSA C22.2 No 213 class I division 2 ANSI/ISA 12-12-01 UL 508
Product certifications	CE CULus RCM KC
Ambient air temperature for operation	0...60 °C
Ambient air temperature for storage	-20...60 °C
Pollution degree	2
Relative humidity	10...90 % (non-condensing)
Operating altitude	2000 m

Vibration resistance	9.8 m/s ² (f = 9...150 Hz) conforming to EN/IEC 61131-2 3.5 mm constant amplitude (f = 5...9 Hz) conforming to EN/IEC 61131-2
Shock resistance	147 m/s ² conforming to EN/IEC 61131-2
Electromagnetic compatibility	Electrostatic discharge immunity test conforming to EN/IEC 61000-4-2 level 3

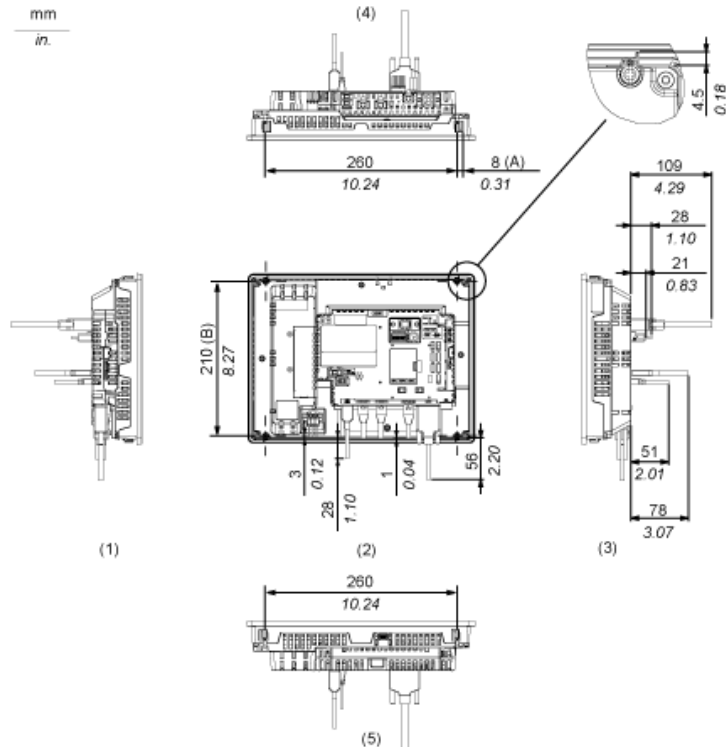
External Dimensions

Display Unit with Box Module



- 1 Front
- 2 Left
- 3 Bottom

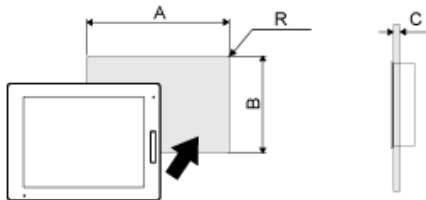
Installation with Installation Fasteners and Dimensions with Cables



- (A) Rotation area of the fastener
- (B) Pitch of the center of installation fastener screws
- 1 Right
- 2 Front
- 3 Left
- 4 Bottom
- 5 Top

Mounting

Panel Cut Dimensions



Dimensions in mm

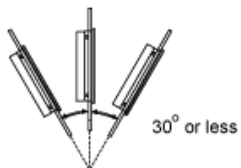
A	B	C	R
295 (+1/-0)	217 (+1/-0)	1.6...5	3 max.

Dimensions in in.

A	B	C	R
11.61 (+0.04/-0)	8.54 (+0.04/-0)	0.06...0.2	0.12 max.

Installation Requirements

Mounting Angle



When installing this product in a slanted position with an incline more than 30°, the ambient temperature must not exceed 40 °C (104 °F). You may need to use forced air cooling (fan, A/C) to ensure the ambient operating temperature is 40 °C or less (104 °F or less).

Clearance

