

6000 Series Buccaneer®



Robust, instant connections for harsh environments

6000 Series Buccaneer - circular connectors that combine the ease of use of a push/pull coupling mechanism with proven environmental sealing. Available with metal or plastic bodies, the range supports Ethernet and USB data interfaces.

Designed and independently tested to IP66, IP68 & IP69K standards, they are ideal for applications where ingress of dust and water must be avoided and where ease of connection, space and appearance are important considerations.

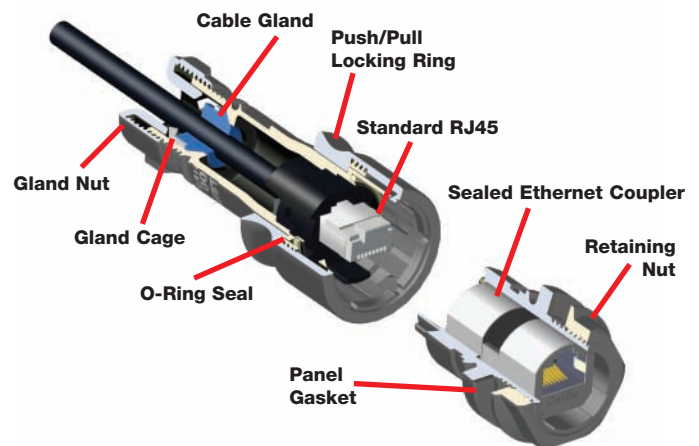
IP66

IP68

IP69K

For Data — Ethernet

THERMO-PLASTIC & METAL VERSIONS



● Push-pull latching system*	Secure, instant latching. Quick connector mating and release
● 30° twist locking*	Prevents accidental un-mating
● IP66, IP68 and IP69K when mated	Suitable for a wide range of dust and water borne environments
● Independent sealing tests	IP Ratings independently verified
● Cat 5e compliant	Data rate up to 100MHz
● PUR jacket on cable	Good chemical resistance, flame retardant
● Shielded system	High noise immunity and EMI protection
● Cat 5e shielded coupler	Maintains shielding
● Visual mating indication	Alignment indicator reduces risk of damage during mating
● Rewireable flex connector	Ability to 'field' terminate
● Earth lead version of panel adaptor on plastic connector	Continuous screening of panel mount connector
● Metal connector grounded to cable screen	Continuous screening of panel mount connector
● Sealed through panel Ethernet	Prevent water ingress into equipment

*patent applied for

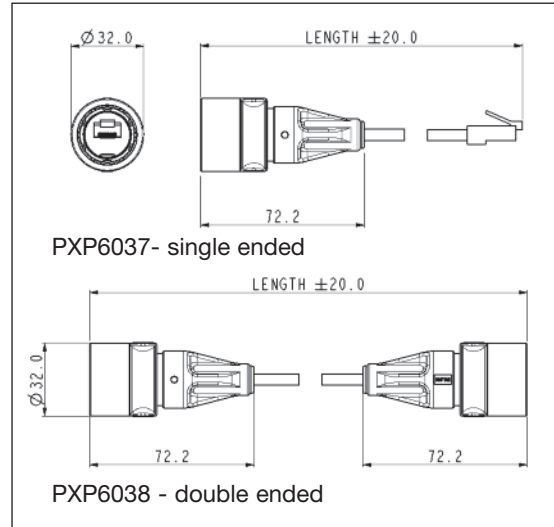
Ethernet – Thermo-plastic version

PATCH CORD FLEX CONNECTOR - PUR JACKET CABLE



PXP6037

- Mates with PXP6033TP type panel mounting connectors
- 30° twist locking
- Overmoulded patchcords with IP rated connector
- Supplied with shielded RJ45 plug
- Single or double end terminated
- Standard lengths: 2m, 3m & 5m
- S-FTP cable construction
- PUR jacket cable
- Wiring configuration to 568-B
- Exceeds EIA/TIA Cat 5e



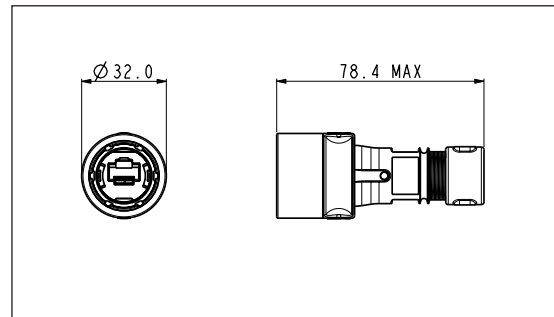
Part no.	Type	Length	Description
PXP6037/2M00	Single ended	2m	IP RJ Buccaneer to Shielded RJ45
PXP6037/3M00	Single ended	3m	IP RJ Buccaneer to Shielded RJ45
PXP6037/5M00	Single ended	5m	IP RJ Buccaneer to Shielded RJ45
PXP6038/2M00	Double ended	2m	IP RJ Buccaneer to IP68 RJ Buccaneer
PXP6038/3M00	Double ended	3m	IP RJ Buccaneer to IP68 RJ Buccaneer
PXP6038/5M00	Double ended	5m	IP RJ Buccaneer to IP68 RJ Buccaneer

RE-WIREABLE FLEX CONNECTOR



PXP6034

- Mates with PXP6033TP type panel mounting connectors
- 30° twist locking
- Supplied with shielded RJ45 plug
- Two versions:
for PUR jacket cable (Cat 5e)
for other cable sizes from 3.5 to 8mm dia.



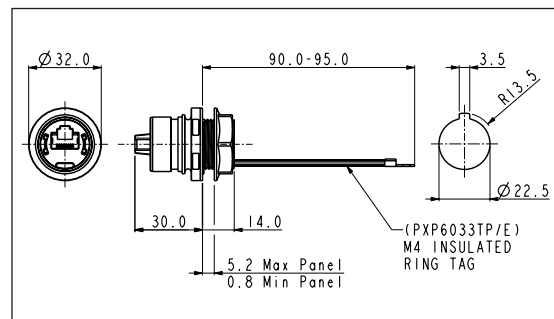
Part no.	Description
PXP6034/A	Cable glands optimised for PUR jacket cable to maintain Cat 5e performance
PXP6034/B	Suitable for use with cables from 4.0 to 7.0mm diameter

FRONT PANEL MOUNTING CONNECTOR



PXP6033TP

- Sealed through panel
- Cat 5e shielded coupler
- Mates with all plastic flex connectors
- Standard RJ45 patchcord can be plugged into rear
- Version with earth wire available
- Single hole fixing
- Complete with panel sealing gasket



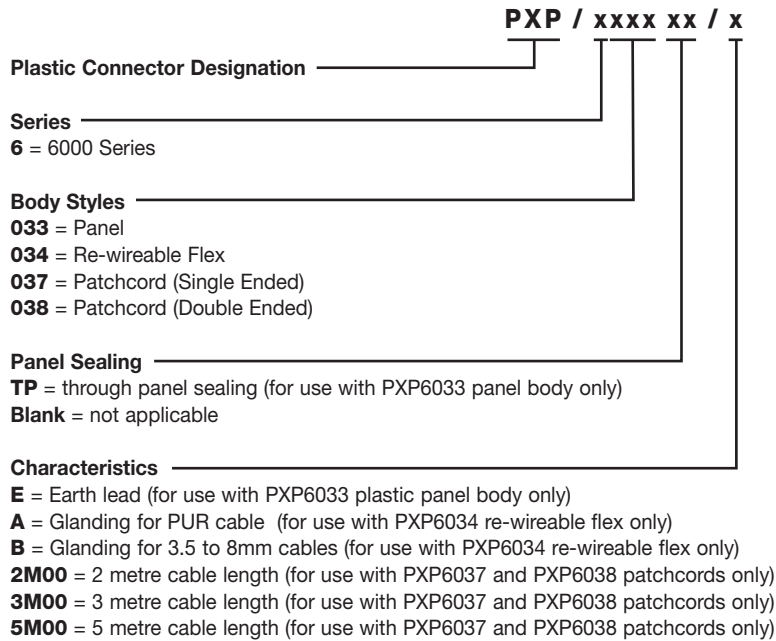
Part no.	Description	Fixing
PXP6033TP	Cat 5e coupler	Front panel mounted - sealed through panel
PXP6033TP/E	Cat 5e coupler + earth wire	Front panel mounted - sealed through panel

6000 Series Buccaneer®



Ethernet – Thermo-plastic version

PART NO SYSTEM



Examples:

PXP6033TP/E= Panel mounted coupler, sealed through panel with earth lead

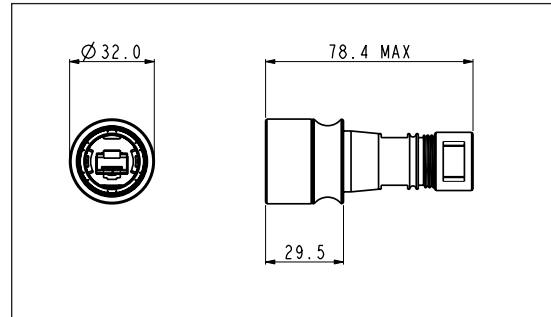
PXP6037/2M00= Patchcord with one sealed end, 2 metres long

Ethernet – Metal version

RE-WIREABLE FLEX CONNECTOR



- Mates with PXM6033TP type panel mounting connectors
- 30° twist locking
- Supplied with shielded RJ45 plug
- Two versions:
for PUR jacket cable (Cat 5e)
for other cable sizes from 3.5 to 8mm dia.

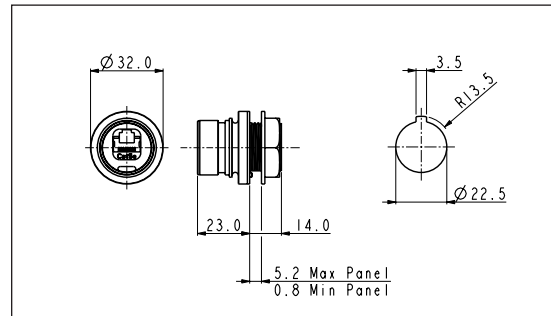


Part no.	Description
PXM6034/A PXM6034/B	Cable glands optimised for PUR jacket cable to maintain Cat 5e performance Suitable for use with cables from 4.0 to 7.0mm diameter

FRONT PANEL MOUNTING CONNECTOR



- Sealed through panel
- Cat 5e shielded coupler
- Mates with PXM6034 type flex connectors
- Standard RJ45 patchcord can be plugged into rear
- Connector shell ground to cable screen
- Single hole fixing
- Complete with panel sealing gasket



Part no.	Description	Fixing
PXM6033TP	Cat 5e coupler	Front panel mounted - sealed through panel

ACCESSORIES FOR ETHERNET CONNECTORS



- Sealing caps to maintain IP rating when connectors are not in use

Plastic connectors

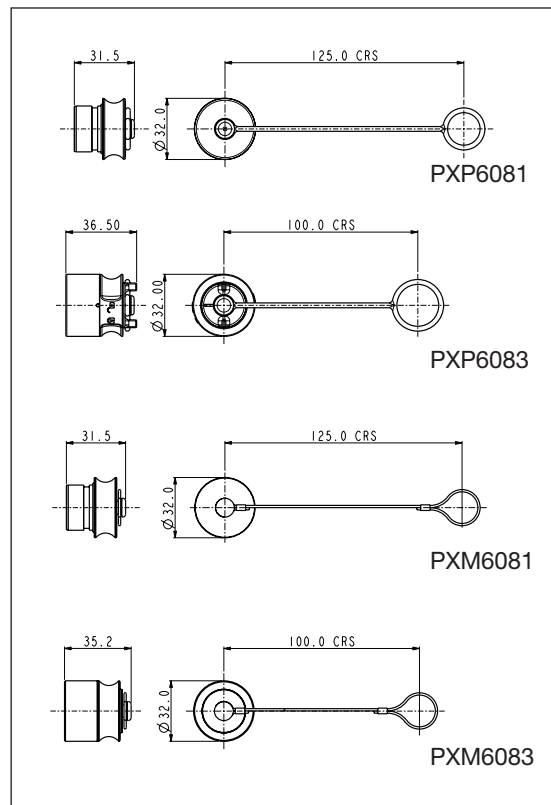
- PXP6081 for cable connectors PXP6034, PXP6037 & PXP6038
- PXP6083 for front panel mount connectors PXP6033, with 30° twist lock

Metal connectors

- PXM6081 for cable connectors PXM6034
- PXM6083 for front panel mount connectors



Part No.	Description
PXP6081	Sealing Cap for plastic Flex cable connectors
PXP6083	Sealing Cap for plastic front panel mounting connector
PXM6081	Sealing Cap for metal Flex cable connectors
PXM6083	Sealing Cap for metal front panel mounting connector
14151	Hand crimp tooling + die set
14199	PUR Jacket cable - 50m reel
14150	Replacement shielded RJ45

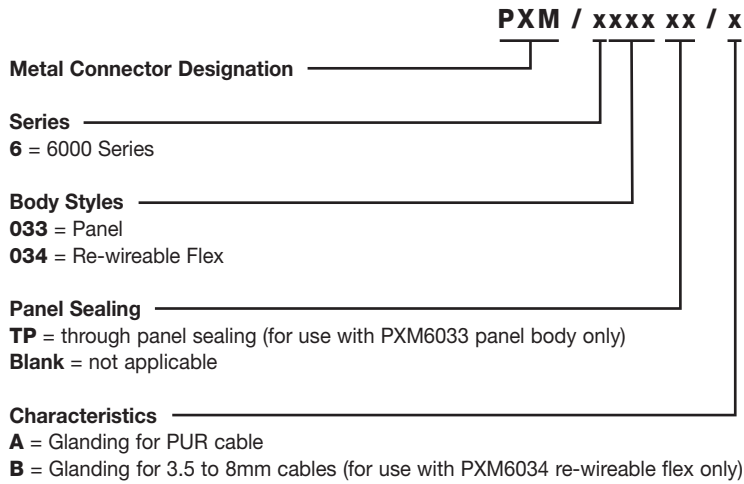


6000 Series Buccaneer®



Ethernet – Metal version

PART NO SYSTEM



Examples:

PXM6034/A = Flex re-wireable connector for use with PUR cable

PXM6033TP = Panel mounted coupler, through panel sealed

6000 Series Buccaneer®



Ethernet – Metal and Thermo-plastic versions

SPECIFICATION

Connectors

Mechanical

Sealing	IP69K, DIN40050-9 IP68, EN60529 IP66, EN60529
Operating Temperature	
Re-wireable and Metal	-20°C to +70°C
Overmoulded patchcords	0°C to +70°C

Materials - Overmoulded

Overmould material	PVC (black)
Flammability rating	UL94V-0

Materials - Re-wireable and Panel Connectors

Plastic	PC/PBT
Metal	Machined Brass, Nickel Plated
Flammability rating	UL94V-0
'O' rings	Silicon
Panel Gasket - round	Silicon
Panel Gasket - flange	Silicon
Approvals (pending)	UL
RoHS	Compliant

RJ45 Plug

Materials

Moulding	Polycarbonate
Flammability	UL94V-0
Contact material	Phosphor Bronze
Contact plating	50 micron gold
Storage Temperature	-40°C to +70°C
Mating cycles	1,000 cycles
RoHS	Compliant

Electrical

No. Conductors	8
Conductor types	24-28AWG, solid or multi-stranded
Current rating	1.5A
Voltage rating	30V ac, 42V dc
Contact resistance	10mΩ max.
Performance	Cat 5e
RoHS	Compliant

Stranded S-FTP Patch cord cable - PUR Jacket

Polyurethane (PUR) jacket cable with internal construction exceeding Cat 5e performance levels. The PUR jacket has excellent abrasion, chemical and ozone resistance, low smoke, low halogen flame retardant construction suitable for internal and external industrial environments.

Cable

Conductors	24AWG (7/0.20mm) bare copper
Insulation	HD-PE
Pair	2 of the above cores twisted
Core	4 of the above cores
Tape	1 lap mylar tape
Screen	1 layer mylar and aluminium tape, 0.12mm tinned copper braid
Sheath	PUR Jacket Black
Op Temperature	-25°C to +85°C
Min. bend radius	10 x o/d (installation)
Min. bend radius	6 x o/d (installed)
Diameter	6.1mm nominal

Electrical @ 20°C

Characteristic Impedance	100Ω ±15Ω @ 100MHz
Capacitance	330pF/km
Conductor Loop resistance	29Ω/100m maximum
Skew	45 nsec/100m @ 100MHz
TIA/EIA Rating	Cat 5e

RJ45 Coupler

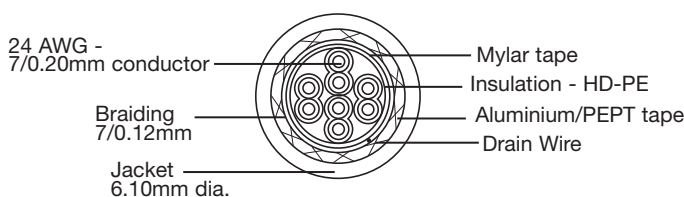
Materials

Coupler Shell	Copper Alloy
Coupler Plating	Nickel
Moulding	ABS
Flammability	UL94V-0
Contact material	Phosphor Bronze
Contact plating	50 micron gold
Storage Temperature	-40°C to +70°C
Mating cycles	1,000 cycles

Electrical

No. Conductors	8
Current rating	1.5A
Voltage rating	30V ac, 42V dc
Contact resistance	10mΩ max.
Performance	Cat 5e

Cable construction - PXP6037, PXP6038 and 14199



Polyurethane (PUR) Jacket