

SIEMENS

Product data sheet

3SB3610-2TA11

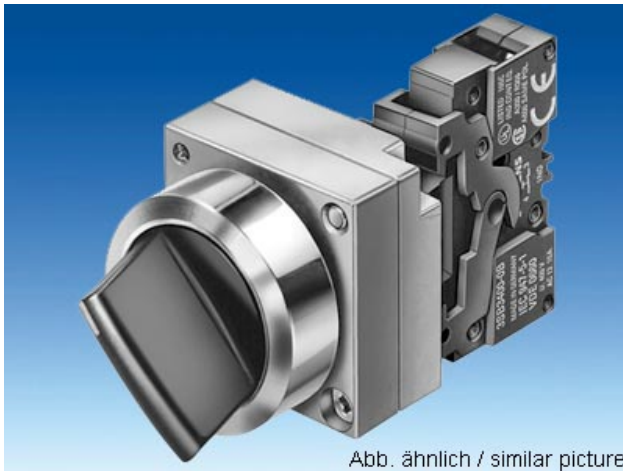


Abb. ähnlich / similar picture

COMPLETE UNIT, ROUND KNOB I-O-II,
MOM.CONT. HVY DUTY SWITCHING ANGLE 2X50
DEGREES BLACK,
1NO,1NO WITH HOLDER, METAL

Actuator:

Design of the operating mechanism selector switch heavy-duty version

Manner of function / of the activation element

- arresting lock No
- tentative Yes

Button:

Color / of the button black

Front ring:

Material / of the front ring metal

Color / of the front ring silver

Enclosure:

Shape / of the housing front round

General technical details:

Design of the product selector switch heavy-duty version

Type of voltage

- of the operating voltage AC/DC

Operating voltage / rated value

- minimum 5 V
- maximum 400 V

Number of NC contacts	0
Number of NO contacts	2
Number of change-over switches	0
Number of switching positions	3
Mechanical design:	
Design of the electrical connection	screw-type terminals
Product extension / optional / Fluorescent materials	No
Mounting diameter	22 mm
Ambient conditions:	
Protection class IP	IP67
last change:	10/31/2006

Technical Assistance:	Telephone: +49 (0) 911-895-5900 (8°° - 17°° CET)
	Fax: +49 (0) 911-895-5907
	E-Mail: technical-assistance@siemens.com
	Internet: www.siemens.de/lowvoltage/technical-assistance