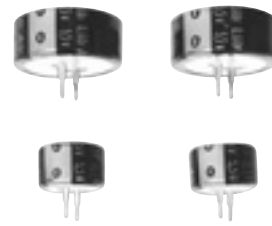


### Stacked Coin Type

Series: **F**



#### ■ Features

- Endurance : +85 °C 1000 h
- RoHS directive compliant

#### ■ Recommended Applications

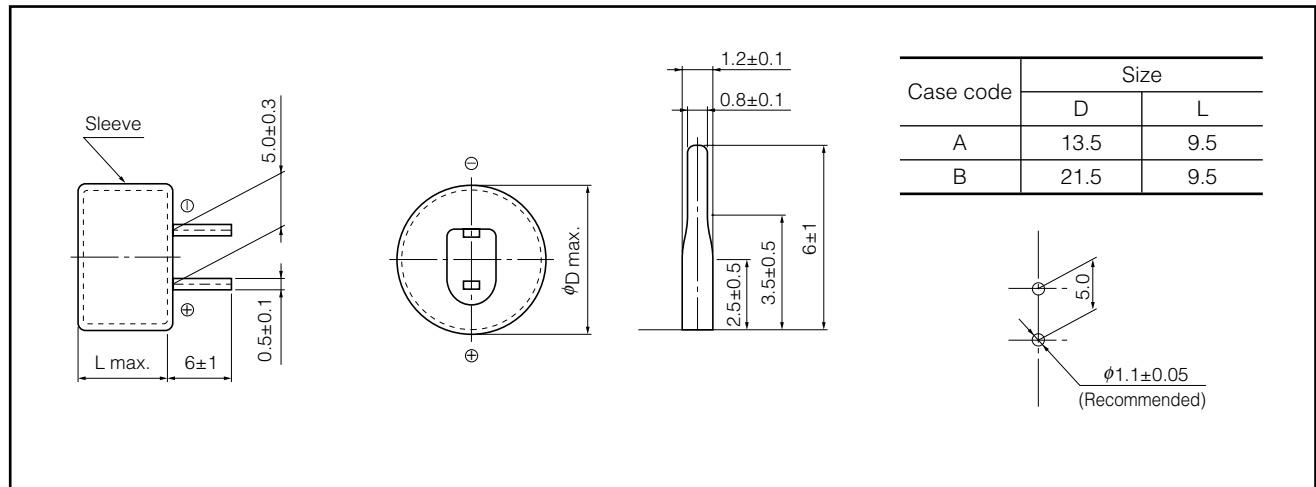
- Backup of data/RTC of base station, electronic meter, and industrial equipment

#### ■ Specifications

Category Temp. Range	-25 °C to +85 °C	
Maximum Operating Voltage	5.5 V.DC	
Nominal Cap.Range	0.1 F to 1.0 F	
Characteristics at Low Temperature	Capacitance change	±30 % of initial measured value at +20 °C (at -25 °C)
	Internal resistance	≤5 times of initial measured value at +20 °C (at -25 °C)
Endurance	After 1000 hours application of 5.5 V. DC at +85 °C, the capacitor shall meet the following limits.	
	Capacitance change	±30 % of initial measured value
	Internal resistance	≤4 times of initial specified value
Shelf Life	After 1000 hours storage at +85 °C without load, the capacitor shall meet the specified limits for Endurance.	

#### ■ Dimensions in mm(not to scale)

(Unit : mm)



#### ■ Standard Products

\* : Shaded part numbers have been discontinued since September 30, 2014 and we recommend alternate products for new design. Please consider more than 0.1 F.

Maximum Operating Voltage (V.DC)	Capacitance (F)	Capacitance tolerance (F)	Internal resistance (Initial specified value) (Ω) at 1 kHz	Recommended discharge current	Parts number	Case code	Mass (Reference value) (g)	Min. Packaging Q'ty (pcs)	
5.5	*	0.033	0.0264 to 0.0594	≤ 150	200 μA or less	EECF5R5H333	A	-	200
	*	0.047	0.0376 to 0.0846	≤ 120	200 μA or less	EECF5R5H473	A	-	200
		0.10	0.080 to 0.180	≤ 100	300 μA or less	EECF5R5H104	A	3.3	200
		0.47	0.376 to 0.846	≤ 75	1 mA or less	EECF5R5H474	B	10.0	100
		0.68	0.544 to 1.224	≤ 50	1 mA or less	EECF5R5H684	B	10.0	100
		1.00	0.80 to 1.80	≤ 50	1 mA or less	EECF5R5H105	B	10.0	100

Note : Do not use reflow soldering. (IR, Atmosphere heating methods, etc.)  
Please refer to the page of "Application Guidelines".

Design and specifications are each subject to change without notice. Ask factory for the current technical specifications before purchase and/or use.  
Should a safety concern arise regarding this product, please be sure to contact us immediately.