

50 ohm nominal input / conjugate match balun to nRF51822-CEAA and nRF51422-CEAA

Datasheet – production data

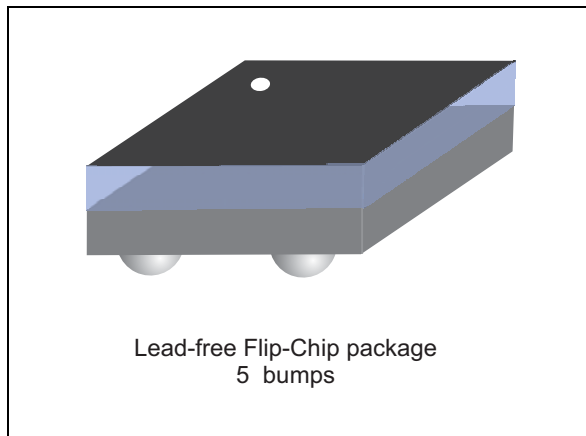
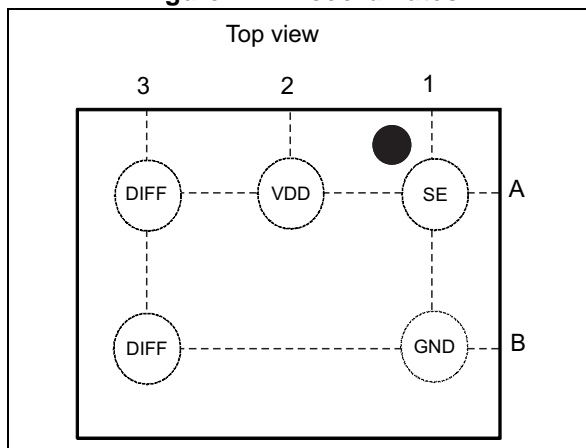


Figure 1. Pin coordinates



Features

- 50 Ω nominal input / conjugate match to Nordic Semiconductor chips nRF51422-CEAA and nRF51822-CEAA.
- Low insertion loss
- Low amplitude imbalance
- Low phase imbalance
- Small footprint: < 1.2 mm²

Benefits

- Very low profile: < 560 μ m after reflow
- High RF performance
- RF BOM and area reduction

Applications

- 2.45 GHz impedance matched balun filter
- Optimized for Nordic's chip set nRF51422-CEAA, nRF51822-CEAA.

Description

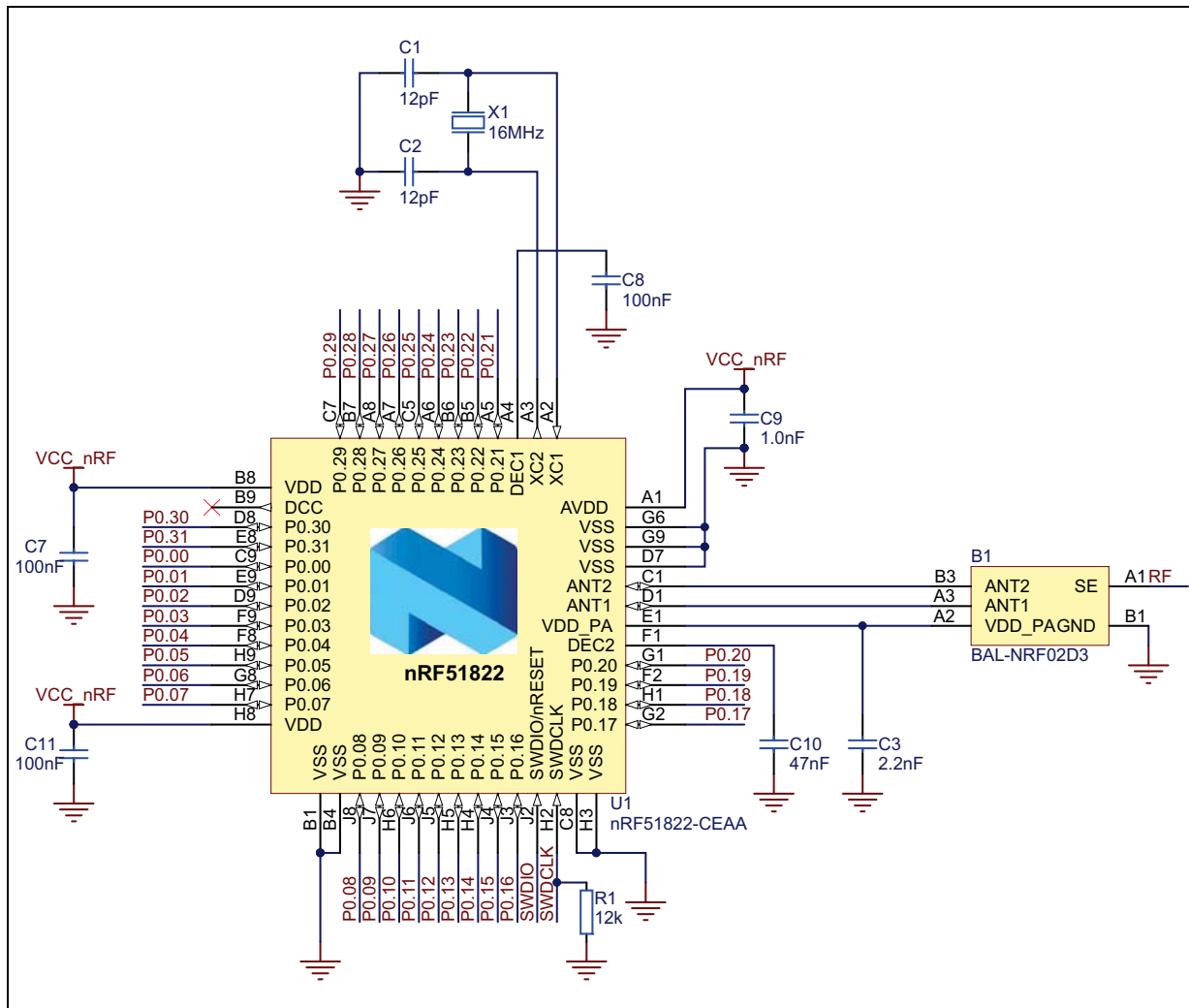
STMicroelectronics BAL-NRF02D3 is an ultraminiature balun. The BAL-NRF02D3 integrates matching network and harmonics filter. Matching impedance has been customized for the following Nordic Semiconductor circuits: nRF51422-CEAA and nRF51822-CEAA.

The BAL-NRF02D3 uses STMicroelectronics IPD technology on non-conductive glass substrate which optimize RF performances.

The BAL-NRF02D3 has been tested and approved by Nordic Semiconductor in the nRFgo modules.

1 Application

Figure 2. Application schematic



2 Characteristics

Table 1. Absolute maximum ratings (limiting values)

Symbol	Parameter	Value			Unit
		Min.	Typ.	Max.	
P_{IN}	Input Power RFIN			20	dBm
V_{ESD}	ESD ratings human body model (JESD22-A114-C), all I/O one at a time while others connected to GND	2000			V
	ESD ratings charge device model (JESD22-C101-C)	500			
	ESD ratings machine model, all I/O	200			
T_{OP}	Operating temperature (JESD22-A115-C), all I/O	-40		+85	°C

Table 2. Impedances ($T_{amb} = 25\text{ °C}$)

Symbol	Parameter	Value			Unit
		Min.	Typ.	Max.	
Z_{OUT}	Nominal differential output impedance		matched		Ω
Z_{IN}	Nominal input impedance		50		Ω

Table 3. RF performance ($T_{amb} = 25\text{ °C}$)

Symbol	Parameter	Test condition	Value			Unit
			Min.	Typ.	Max.	
F	Frequency range (bandwidth)		2400		2540	MHz
I_L	Insertion loss in bandwidth			1.9		dB
R_L	Return loss in bandwidth			12		dB
ϕ_{imb}	Phase imbalance			6		°
Aimb	Amplitude imbalance			0.15		dB
2f0	2nd harmonic S21 attenuation	4880 MHz		10		dB
3f0	3rd harmonic S21 attenuation	7320 MHz		20		dB

2.1 On-board measurements

Figure 3. Transmission ($T_{amb} = 25\text{ °C}$)

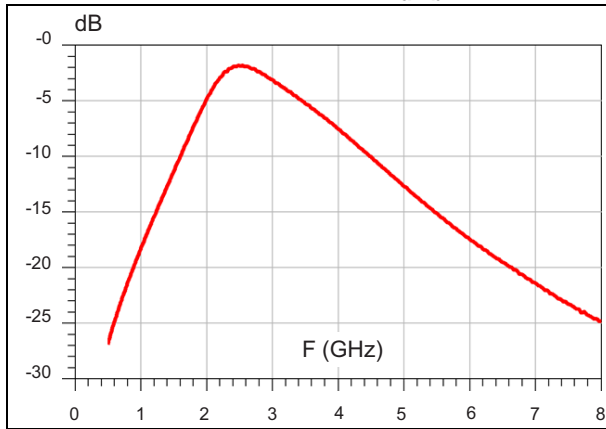


Figure 4. Insertion loss ($T_{amb} = 25\text{ °C}$)

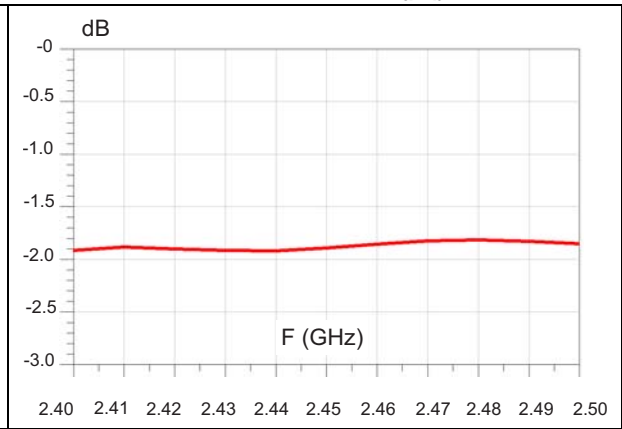


Figure 5. Return loss on SE port ($T_{amb} = 25\text{ °C}$)

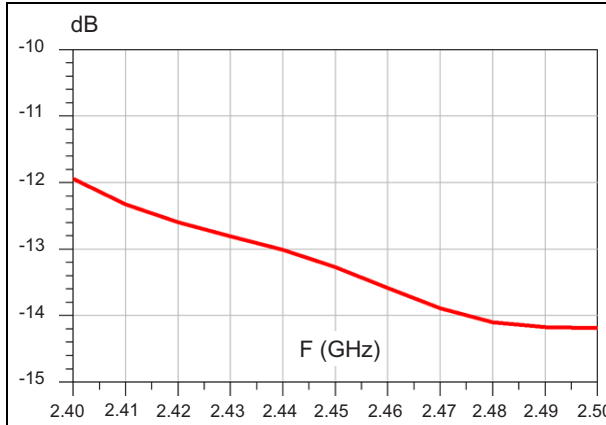


Figure 6. Return loss on DIFF port ($T_{amb} = 25\text{ °C}$)

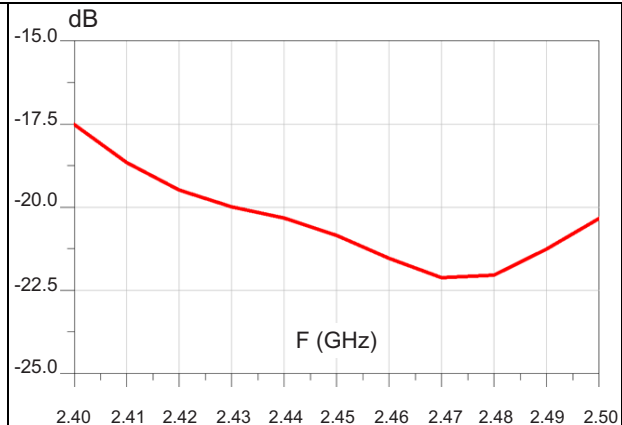


Figure 7. Amplitude imbalance ($T_{amb} = 25\text{ °C}$)

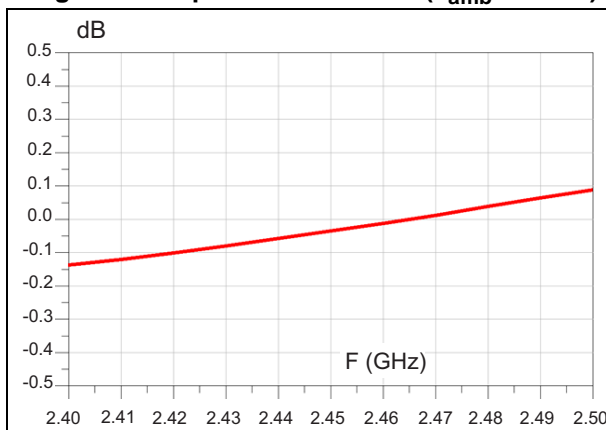
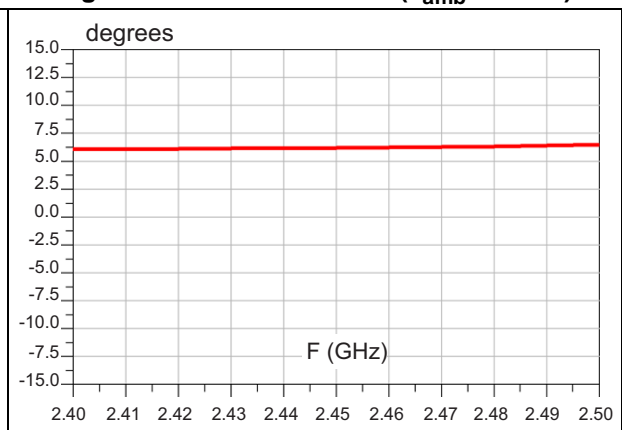


Figure 8. Phase imbalance ($T_{amb} = 25\text{ °C}$)



3 Package information

- Epoxy meets UL94, V0
- Lead-free package

In order to meet environmental requirements, ST offers these devices in different grades of ECOPACK® packages, depending on their level of environmental compliance. ECOPACK® specifications, grade definitions and product status are available at: www.st.com. ECOPACK® is an ST trademark.

Figure 9. Package dimensions

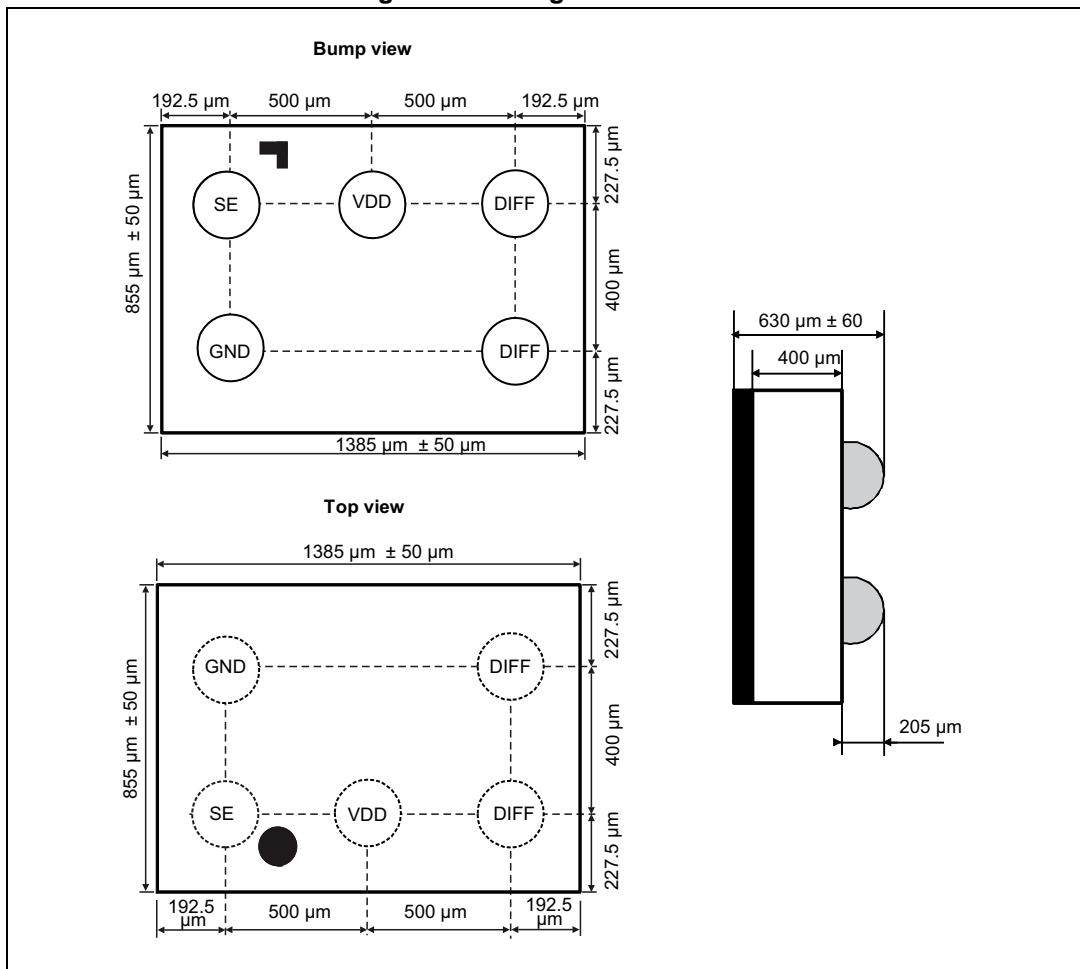


Figure 10. Recommended land pattern

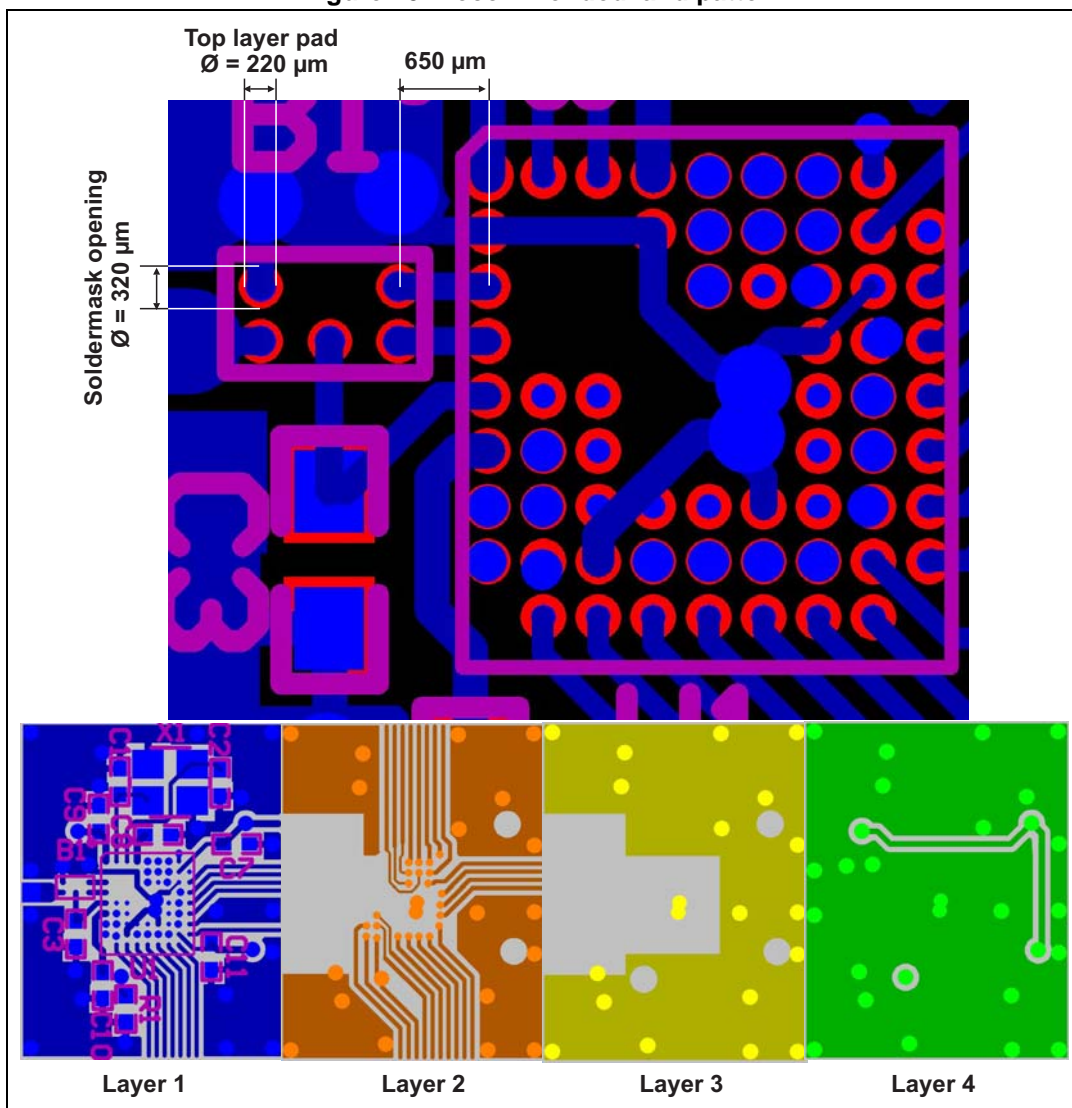


Figure 11. PCB stack-up recommendation

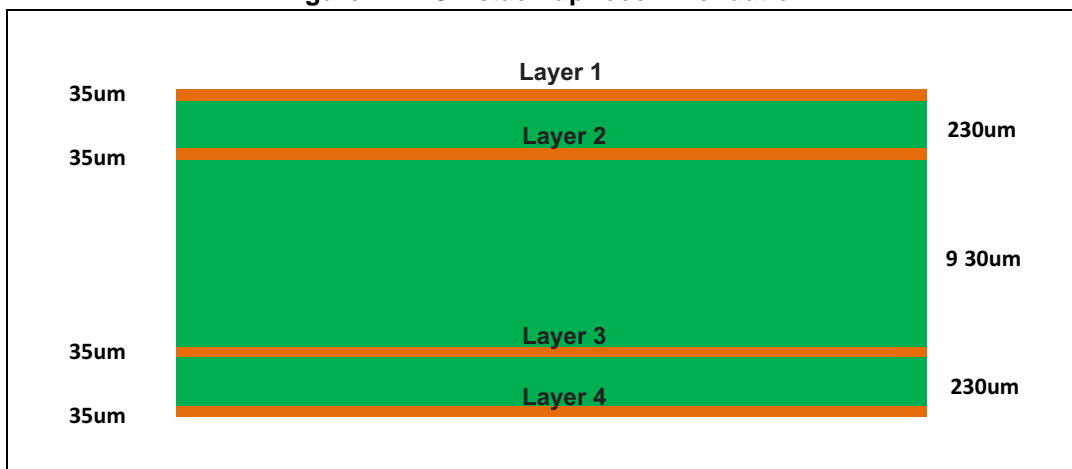


Figure 12. Footprint - non solder mask defined

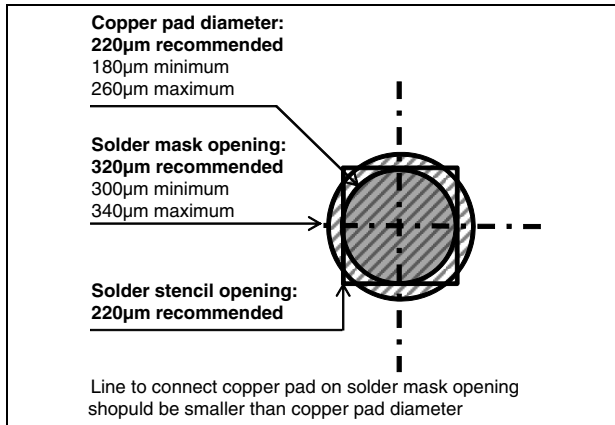


Figure 13. Footprint - solder mask defined

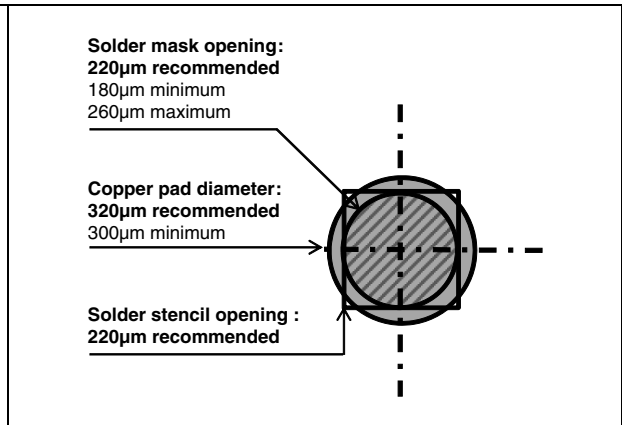


Figure 14. Marking

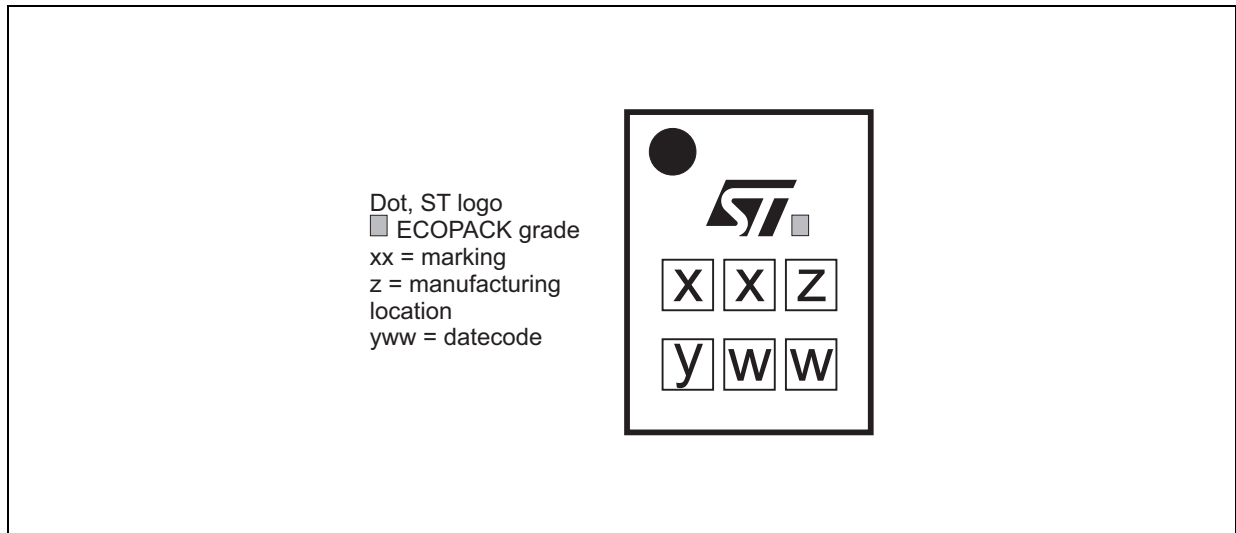
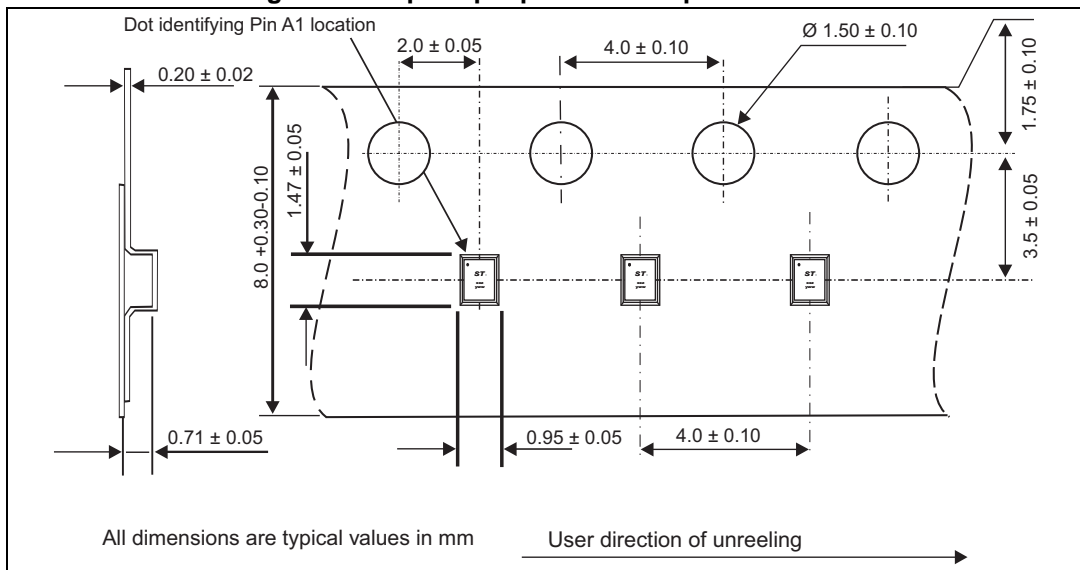


Figure 15. Flip Chip tape and reel specifications



Note: More information is available in the STMicroelectronics Application notes:
 AN2348 Flip-Chip: "Package description and recommendations for use"
 AN4315: "BAL-NRF02D3 matched balun with integrated harmonics filter for Nordic Semiconductor ultralow power transceivers"

4 Ordering information

Table 4. Ordering information

Order code	Marking	Weight	Base Qty	Delivery mode
BAL-NRF02D3	SK	1.58 mg	5000	Tape and Reel

5 Revision history

Table 5. Document revision history

Date	Revision	Changes
02-Jul-2013	1	Initial release
30-Aug-2013	2	Updated Table 1 .
13-Oct-2014	3	Updated Figure 9 .

IMPORTANT NOTICE – PLEASE READ CAREFULLY

STMicroelectronics NV and its subsidiaries ("ST") reserve the right to make changes, corrections, enhancements, modifications, and improvements to ST products and/or to this document at any time without notice. Purchasers should obtain the latest relevant information on ST products before placing orders. ST products are sold pursuant to ST's terms and conditions of sale in place at the time of order acknowledgement.

Purchasers are solely responsible for the choice, selection, and use of ST products and ST assumes no liability for application assistance or the design of Purchasers' products.

No license, express or implied, to any intellectual property right is granted by ST herein.

Resale of ST products with provisions different from the information set forth herein shall void any warranty granted by ST for such product.

ST and the ST logo are trademarks of ST. All other product or service names are the property of their respective owners.

Information in this document supersedes and replaces information previously supplied in any prior versions of this document.

© 2014 STMicroelectronics – All rights reserved