

# Solius/Solius ecodomo

Extensive heating surface with integrated presence sensor  
for energy savings



## COMFORT

- Extensive-heat panel with black painted extruded aluminium heating element & digital display
- Extruded aluminium heating element with wide radiating surface area
- Front electric air outlet

## SAVINGS

- Up to 30% energy savings\* thanks to integrated presence detector for the Solius ecodomo version
- Models starting at 300 W for low-energy consumption homes
- Presence /absence detection functions<sup>(1)</sup>
- Consumption indicator for responsible, informed use of the equipment<sup>(1)</sup>
- Control with multi-tariff digital thermostat<sup>(2)</sup>
- 6-command pilot wire: Comfort, Comfort - 1 °C, Comfort - 2 °C, Eco, Frost-free, Off
- Mode switch: Comfort, Eco, Frost-free, Off, Programme

## USER-FRIENDLINESS

- Control locking device
- ASP (Anti-Staining Process) to reduce staining on wall and on equipment

## DESIGN

- Light indicator for heating
- Colour shade: white (RAL 9016)





Solius Ecodomo



Solius

## EASY TO INSTALL

 <p>A B C D</p> <p>Model available**</p>	<p>EXTENSIVE HEAT PANEL HEATER</p> <p><b>300 TO 2 000 W</b></p> <p>Output</p>	<p>UP TO <b>+30%</b> ENERGY SAVINGS<sup>(1)</sup></p> <p>UP TO <b>+15%</b> ENERGY SAVINGS<sup>(2)</sup></p> <p>Energy saving</p>
 <p>Controls</p>	<p>ecodomo</p> <p>Technology</p>	<p><b>ALUMINIUM</b> HEATING ELEMENT</p> <p>Heating element type</p>

\* Compared to a mechanical convector

\*\* Model types : A : Vertical wall mounted / B : Horizontal wall mounted / C : Vertical Floor standing / D : Plinth

(1) For Solius Ecodomo only - (2) For Solius only



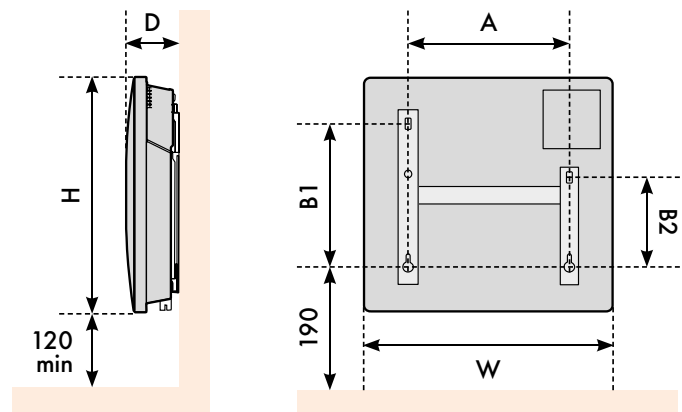
- 1 Digital controls
- 2 Over-heating safety device
- 3 Perforated frontal air outlet
- 4 Extruded aluminium heating element
- 5 Room temperature sensor
- 6 Anti fall-down system

- 1 Display
- 2 Anti-frost mode
- 3 Economy mode
- 4 Comfort mode
- 5 Programming
- 6 Heating light indicator
- 7 Temperature settings
- 8 ON-OFF Timer

Presence / absence detection functions  
Combined with Window open/closed detection

UP TO  
**+30%**  
ENERGY SAVINGS\*

### INSTALLATION DIMENSIONS (in mm)



## SOLIUS

### TECHNICAL DATA

OUTPUT (W)	DIMENSIONS (mm)						NET WEIGHT (kg)
	Width (W)	Height (H)	Depth (D)	A	B1	B2	
<b>Solius Ecodomo</b>							
300	443	451	120	195	256	158	4.8
500	443	451	120	195	256	158	4.8
750	517	451	120	269	256	158	5.4
1 000	517	451	120	343	256	158	6.2
1 250	739	451	120	491	256	158	7.4
1 500	813	451	120	565	256	158	7.9
2 000	1 035	451	120	787	256	158	9.8
<b>Solius</b>							
750	520	450	98	269	256	158	5.3
1 000	595	450	98	343	256	158	6
1 250	740	450	98	491	256	158	7.4
1 500	815	450	98	565	256	158	8.1
2 000	1 035	450	98	787	256	158	10.2