

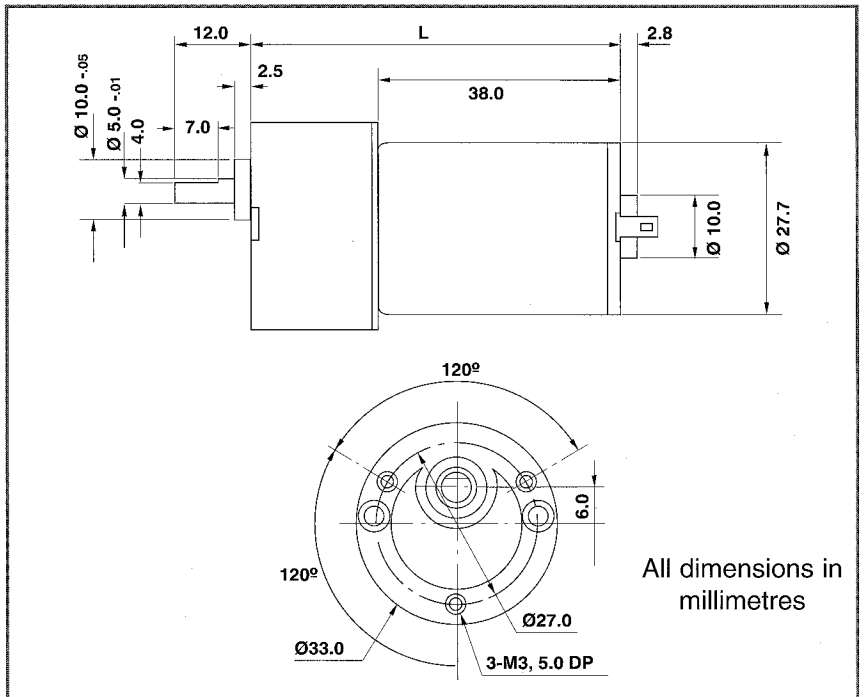
IG33 low cost DC Motor Gearhead

The Igarashi IG33 range is designed for low cost, high volume applications such as vending machines, magnetic card readers, printer mechanisms, actuators and all types of coin control systems.

The IG33 is fitted with an all metal gearhead with sintered iron gears running on hardened steel shafts. The output shaft runs in sintered bronze bearings.

The permanent magnet motors are wound for different speeds for each voltage to give a wide choice of final speeds when matched to the seven gearheads.

- Weight 115 - 140 gms according to ratio
- Max. radial load: 50N (8mm from mounting face)
- Max. axial load: 33N (at shaft centre)
- Max. radial play: 0.08mm
- Max. axial play: 0.50mm



All dimensions in millimetres

| Type | Voltage(V) | Ratio | *Output Rotation | Length (L) (mm) | Maximum Torque (mNm) | Nominal No load speed rev/min | Nominal No load current mA |
|-----------|------------|--------|------------------|-----------------|----------------------|-------------------------------|----------------------------|
| 0132-0008 | 12 | 8:1 | CCW | 57.8 | 50 | 700 | 70 |
| 0196-0008 | 12 | | | | | 460 | 50 |
| 0267-0008 | 24 | | | | | 680 | 50 |
| 0380-0008 | 24 | | | | | 475 | 30 |
| 0132-0020 | 12 | 20:1 | CW | 57.8 | 100 | 280 | 70 |
| 0196-0020 | 12 | | | | | 180 | 50 |
| 0267-0020 | 24 | | | | | 270 | 50 |
| 0380-0020 | 24 | | | | | 190 | 30 |
| 0132-0050 | 12 | 50:1 | CCW | 57.8 | 200 | 110 | 70 |
| 0196-0050 | 12 | | | | | 70 | 50 |
| 0267-0050 | 24 | | | | | 105 | 50 |
| 0380-0050 | 24 | | | | | 75 | 30 |
| 0132-0125 | 12 | 125:1 | CW | 62.3 | 300 | 44 | 70 |
| 0196-0125 | 12 | | | | | 29 | 50 |
| 0267-0125 | 24 | | | | | 43 | 50 |
| 0380-0125 | 24 | | | | | 30 | 30 |
| 0132-0312 | 12 | 312:1 | CCW | 62.3 | 300 | 18 | 70 |
| 0196-0312 | 12 | | | | | 11 | 50 |
| 0267-0312 | 24 | | | | | 17 | 50 |
| 0380-0312 | 24 | | | | | 12 | 30 |
| 0132-0781 | 12 | 781:1 | CW | 66.8 | 300 | 7 | 70 |
| 0196-0781 | 12 | | | | | 5 | 50 |
| 0267-0781 | 24 | | | | | 7 | 50 |
| 0380-0781 | 24 | | | | | 5 | 30 |
| 0132-1953 | 12 | 1953:1 | CCW | 66.8 | 300 | 3 | 70 |
| 0196-1953 | 12 | | | | | 2 | 50 |
| 0267-1953 | 24 | | | | | 3 | 50 |
| 0380-1953 | 24 | | | | | 2 | 30 |

* The motors are bidirectional; the rotation listed is achieved with positive supply connected to +ve terminal on motor.