

Digital Angle Measurement:

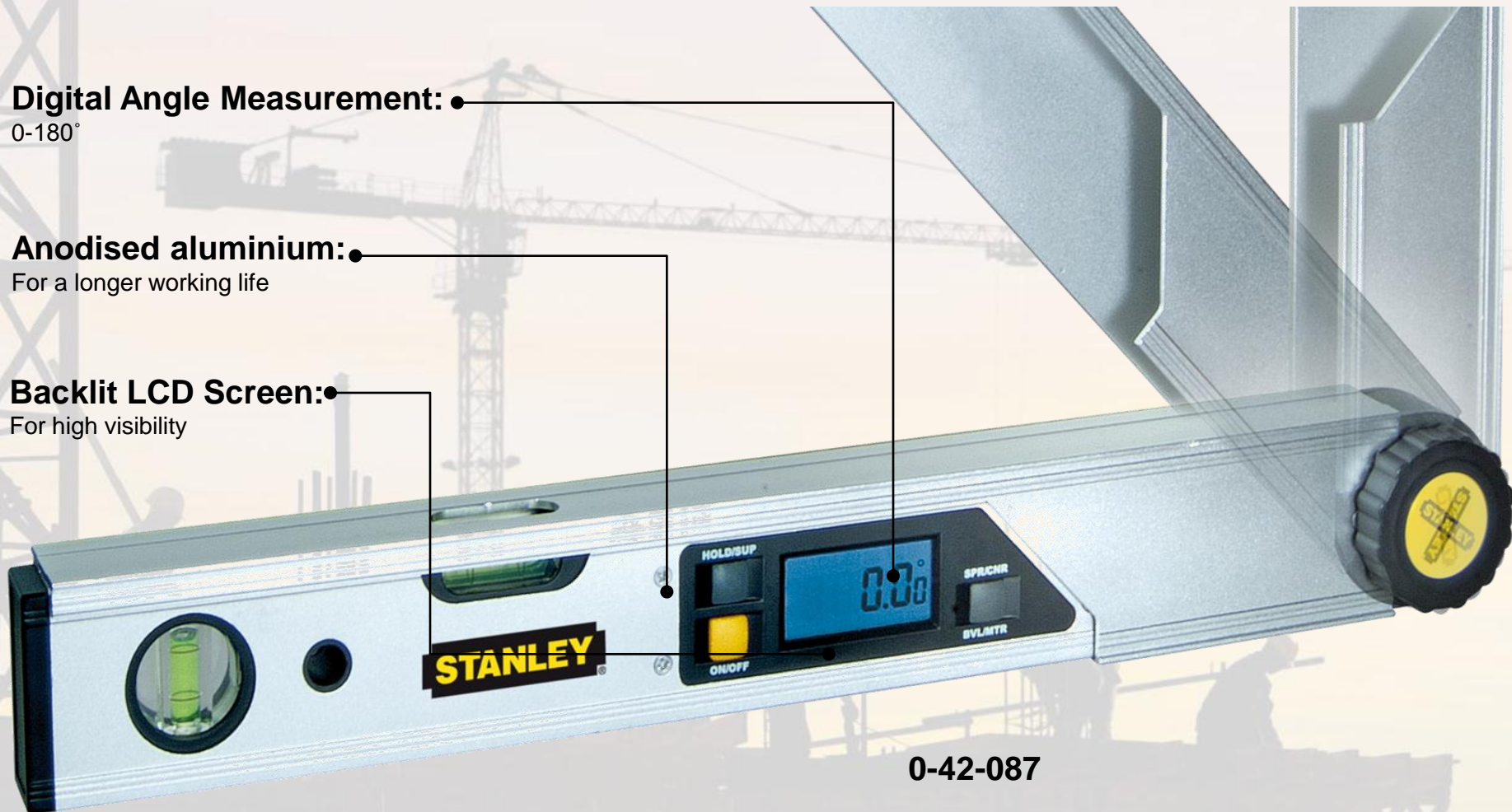
0-180°

Anodised aluminium:

For a longer working life

Backlit LCD Screen:

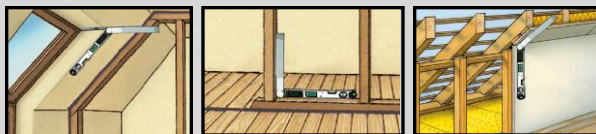
For high visibility



0-42-087

**400MM/16" DIGITAL ANGLE
LEVEL**

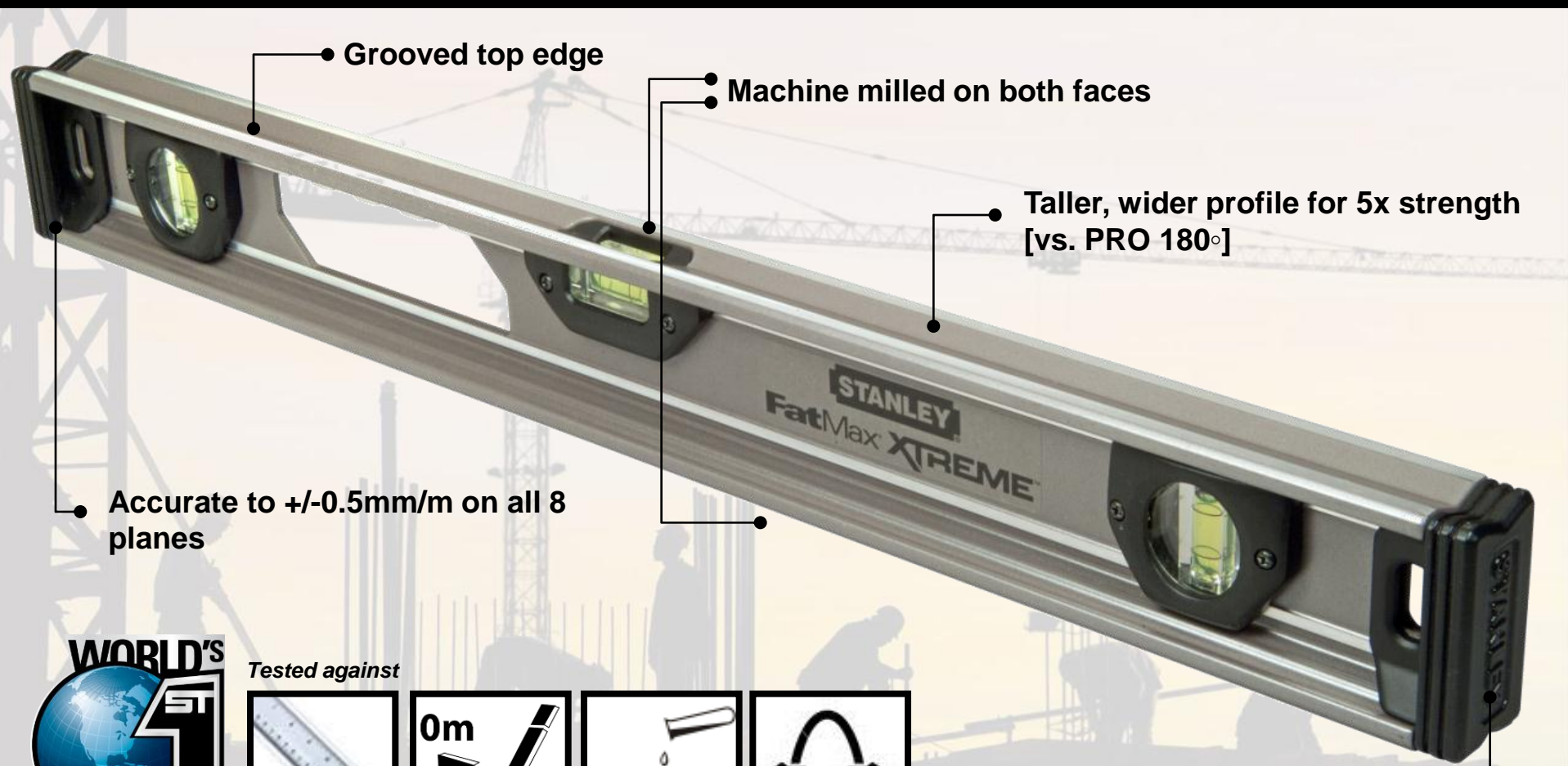
±0.1 accuracy:
For trustworthy accuracy





Fat Max I Beam Levels

Product Detail

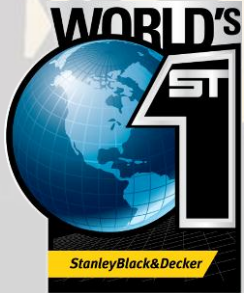


Grooved top edge

Machine milled on both faces

Taller, wider profile for 5x strength
[vs. PRO 180°]

Accurate to +/-0.5mm/m on all 8
planes



Tested against



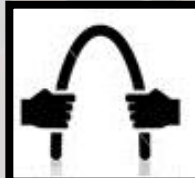
Accuracy



Drop



Solvent



Twist

Rubber end caps

STANLEY

Fat Max I Beam Levels



600mm

XTHT1-42131

1200mm

XTHT1-42134

1800mm

XTHT1-42138

Solid acrylic block vials provide best in class accuracy in 8 orientations of +/-0.5mm/m

Rubber over moulded protective end cas

Dual machined levelling surfaces for maximum accuracy

Bi-material hand grips are screwed into the frame

Rare earth magnets, which are twice as strong as basic strip magnets, are built into the level for stability

Vials magnified by 20% for improved all round visibility

Rock solid box beam construction is up to 5 times stronger than other Stanley levels

Durable powder coated frame

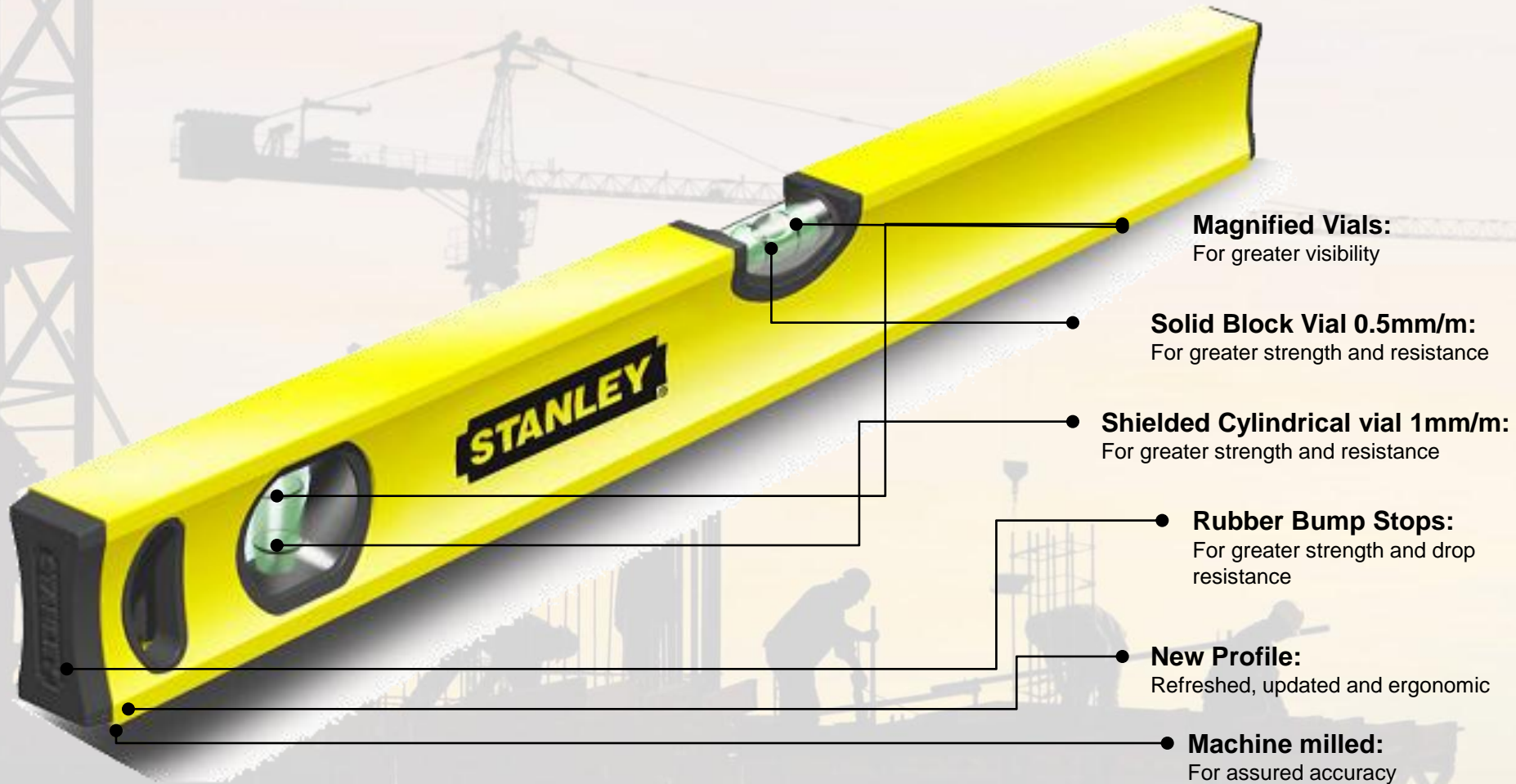
Vials magnified by 20% for improved all round visibility

Low profile vial covers for easy cleaning

STANLEY

Stanley Classic Levels

Replaces Stanley II & III



600 MM Stanley Classic Level STHT1-43103

1000 MM Stanley Classic Level STHT1-43105

1200MM Stanley Classic Level STHT1-43106



1-43-553 600mm I Beam Level

1-43-555 1200mm I Beam Level

Stanley FatMax 1mm/m accuracy

It is 2 x stronger than other Stanley levels thanks to its unique reinforced box-beam construction

Lightweight body and rule scale for ease of marking out, also a handgrip make handling easy and the precision engineered, dual-machined levelling surfaces ensure maximum accuracy

The 3 vials are magnified for improved all round visibility with shock absorbing end caps protect the level