

IEC Appliance Inlet C14, Snap-in Mounting, Solder, Quick-connect, Screw or PCB Terminal



Snap-In Version



**Description**

- Panel Mount:  
Snap-in version, Front Side
- 1 Function
- Appliance Inlet, Pin temperature 70 °C, Protection class I
- Solder, quick-connect, screw, PCB

**Approvals**

- VDE Certificate Number: 40011871
- UL File Number: E96454
- CSA File Number: 27324
- CCC File Number: 2012010204574855

**References**

Alternative: protection class II version [6015](#)

**Weblinks**

[pdf-datasheet](#), [html-datasheet](#), [General Product Information](#), [Approvals](#), [CE declaration of conformity](#), [RoHS](#), [CHINA-RoHS](#), [REACH](#), [Mating Connectors](#), [e-Shop](#), [SCHURTER-Stock-Check](#), [Distributor-Stock-Check](#), [CAD-Drawings](#), [Accessories](#), [Detailed request for product](#)

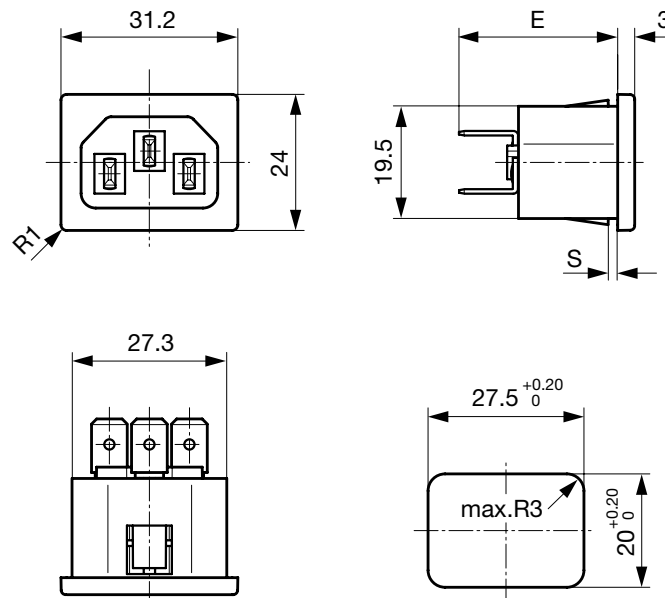
Newly available variants corresponding to V-Lock mating cordset. The connector is equipped with a notch intended for use with the latching cordset. The cord latching system prevents against accidental removal of the cordset.

**Technical Data**

Ratings IEC	10A / 250VAC; 50Hz	Appliance Inlet	C14 acc. to IEC 60320
Ratings UL/CSA	15A / 250VAC; 60Hz		UL 498, CSA C22.2 no. 42 (for cold conditions) pin-temperature 70 °C, 10A, Protection Class I
Dielectric Strength	> 3kVAC between L-N > 1.5kVAC between L/N-PE (1 min/50Hz)		
Allowable Operation Temp.	-25 °C to 70 °C		
Degree of Protection	from front side IP 20 acc. to IEC 60529		
Protection Class	Suitable for appliances with protection class I acc. to IEC 61140		
Terminal	Solder, quick-connect, screw, PCB		
Panel Thickness s	Snap-in version 0.8/1.0/1.2/1.5/2.0/2.5/3.0/4.0 mm		
Material: Housing	PA6, black or grey, UL 94V-0		

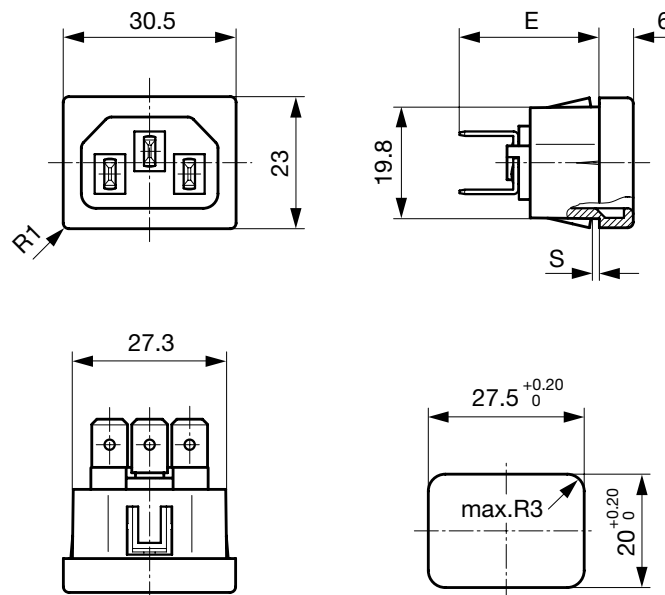
**Dimensions**

Quick connect or solder terminals



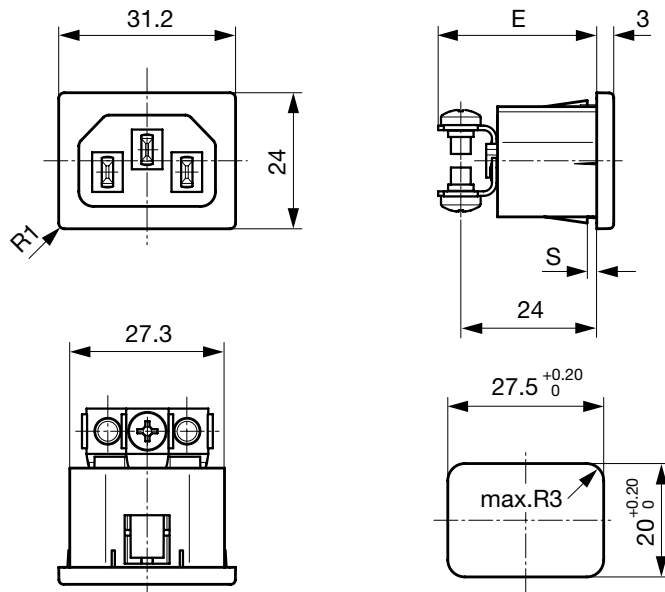
E: Quick-connect terminals 4.8x0.8 mm: 27.0 mm  
 E: Quick-connect terminals 6.3x0.8 mm: 28.0 mm  
 E: Solder terminals short: 22.5 mm  
 E: Solder terminals long: 26.2 mm  
 Dimension "S" please ref. to table order code

Quick-connect or solder terminals, housing for V-Lock



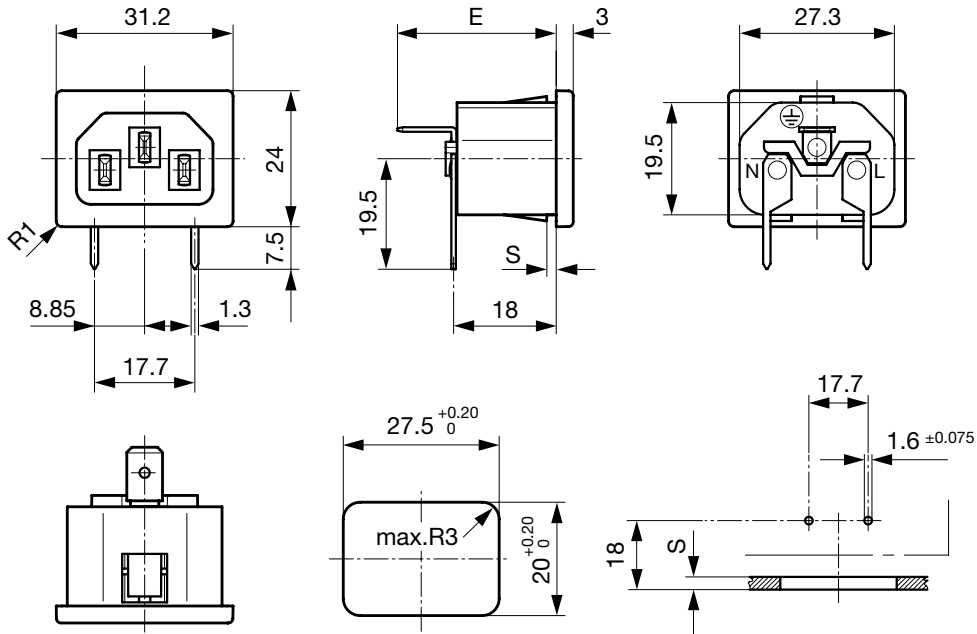
E: Quick-connect terminals 4.8x0.8 mm: 23.8 mm  
 E: Quick-connect terminals 6.3x0.8 mm: 24.8 mm  
 E: Solder terminals short: 19.3 mm  
 E: Solder terminals long: 23.0 mm  
 Dimension "S" please ref. to table order code

Screw terminals



E: Screw terminals M3.5: 28.0 mm  
Dimension "S" please ref. to table order code

PCB terminals



E: Quick-connect terminals 4.8x0.8 mm: 27.0 mm  
E: Quick-connect terminals 6.3x0.8 mm: 28.0 mm  
E: Solder terminals short: 22.5 mm  
E: Solder terminals long: 26.2 mm  
E: Screw terminals M3.5: 28.0  
Dimension "S" please ref. to table order code

## Config. Code

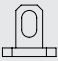


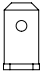

6010 - H - A B C 0 - D - E G O

The characters are placeholders for the correspondingly keys of selections from the key tables.

## 6010 - H - A B C 0 - D - E G O = Type

Type	Configuration key
protection class I	X

## 6010 - H - A B C 0 - D - E G O = Terminals

Terminal L	Configuration key
short solder terminal (L = 4.8 mm) 	2
long solder terminal (L = 8.5 mm) 	3
PCB-terminal standard (additional solder terminal) 	4
Blade terminal (4.8 x 0.8 mm) 	8
Blade terminal (6.3 x 0.8 mm) 	9
screw terminal	A

## 6010 - H - A B C 0 - D - E G O = Terminals

Terminal N	Configuration key
short solder terminal (L = 4.8 mm)	2
long solder terminal (L = 8.5 mm)	3
PCB-terminal standard (additional solder terminal)	4
Blade terminal (4.8 x 0.8 mm)	8
Blade terminal (6.3 x 0.8 mm)	9
screw terminal	A

Symbols similar as in table A

## 6010 - H - A B C 0 - D - E G O = Terminals

Terminal Ground	Configuration key
short solder terminal (L = 4.8 mm)	2

Symbols similar as in table A

Terminal Ground	Configuration key
long solder terminal (L = 8.5 mm)	3
Blade terminal (4.8 x 0.8 mm)	8
Blade terminal (6.3 x 0.8 mm)	9
screw terminal	A

Symbols similar as in table A

## 6010 - H - A B C 0 - D - E G O = Color

Color	Configuration key
Black	A
Grey	B

## 6010 - H - A B C 0 - D - E G O = Style

Style	Configuration key
snap-in (s=panel thickness)	4

## 6010 - H - A B C 0 - D - E G O = Mass S

Mass "s"	Configuration key
08	
10	
12	
15	
20	
25	
30	
40	

The dimension "S" is displayed in ( $1/_{10}$  mm). This information is also valid for the order code

## 6010 - H - A B C 0 - D - E G O = Features

Features	Configuration key
without V-Lock	
V-Lock	V

### All Variants

Config. Code	Description	Order Number
6010-X-2220-A-410	6010, IEC Appliance Inlet C14, 70°C, version: protection class I, L: short solder terminal (L = 4.8 mm), N: short solder terminal (L = 4.8 mm), ground: short solder terminal (L = 4.8 mm), color: Black, design: snap-in (s=panel thickness), dimension S: 10, features: without V-Lock	6162.0012
6010-X-8880-A-410	6010, IEC Appliance Inlet C14, 70°C, version: protection class I, L: Blade terminal (4.8 x 0.8 mm), N: Blade terminal (4.8 x 0.8 mm), ground: Blade terminal (4.8 x 0.8 mm), color: Black, design: snap-in (s=panel thickness), dimension S: 10, features: without V-Lock	6162.0019
6010-X-9990-A-410	6010, IEC Appliance Inlet C14, 70°C, version: protection class I, L: Blade terminal (6.3 x 0.8 mm), N: Blade terminal (6.3 x 0.8 mm), ground: Blade terminal (6.3 x 0.8 mm), color: Black, design: snap-in (s=panel thickness), dimension S: 10, features: without V-Lock	6162.0023
6010-X-9990-A-415	6010, IEC Appliance Inlet C14, 70°C, version: protection class I, L: Blade terminal (6.3 x 0.8 mm), N: Blade terminal (6.3 x 0.8 mm), ground: Blade terminal (6.3 x 0.8 mm), color: Black, design: snap-in (s=panel thickness), dimension S: 15, features: without V-Lock	6162.0024
6010-X-9990-A-420	6010, IEC Appliance Inlet C14, 70°C, version: protection class I, L: Blade terminal (6.3 x 0.8 mm), N: Blade terminal (6.3 x 0.8 mm), ground: Blade terminal (6.3 x 0.8 mm), color: Black, design: snap-in (s=panel thickness), dimension S: 20, features: without V-Lock	6162.0025
6010-X-3330-A-410	6010, IEC Appliance Inlet C14, 70°C, version: protection class I, L: long solder terminal (L = 8.5 mm), N: long solder terminal (L = 8.5 mm), ground: long solder terminal (L = 8.5 mm), color: Black, design: snap-in (s=panel thickness), dimension S: 10, features: without V-Lock	6162.0085
6010-X-8880-A-415V	6010, IEC Appliance Inlet C14, 70°C, version: protection class I, L: Blade terminal (4.8 x 0.8 mm), N: Blade terminal (4.8 x 0.8 mm), ground: Blade terminal (4.8 x 0.8 mm), color: Black, design: snap-in (s=panel thickness), dimension S: 15, features: V-Lock	6162.0155
6010-X-9990-A-415V	6010, IEC Appliance Inlet C14, 70°C, version: protection class I, L: Blade terminal (6.3 x 0.8 mm), N: Blade terminal (6.3 x 0.8 mm), ground: Blade terminal (6.3 x 0.8 mm), color: Black, design: snap-in (s=panel thickness), dimension S: 15, features: V-Lock	6162.0156
6010-X-2220-A-410V	6010, IEC Appliance Inlet C14, 70°C, version: protection class I, L: short solder terminal (L = 4.8 mm), N: short solder terminal (L = 4.8 mm), ground: short solder terminal (L = 4.8 mm), color: Black, design: snap-in (s=panel thickness), dimension S: 10, features: V-Lock	6162.0161
6010-X-8880-A-410V	6010, IEC Appliance Inlet C14, 70°C, version: protection class I, L: Blade terminal (4.8 x 0.8 mm), N: Blade terminal (4.8 x 0.8 mm), ground: Blade terminal (4.8 x 0.8 mm), color: Black, design: snap-in (s=panel thickness), dimension S: 10, features: V-Lock	6162.0162
6010-X-8880-A-425V	6010, IEC Appliance Inlet C14, 70°C, version: protection class I, L: Blade terminal (4.8 x 0.8 mm), N: Blade terminal (4.8 x 0.8 mm), ground: Blade terminal (4.8 x 0.8 mm), color: Black, design: snap-in (s=panel thickness), dimension S: 25, features: V-Lock	6162.0165

The listed variants should be available from stock Other versions on request [www.schurter.com/contact](http://www.schurter.com/contact)

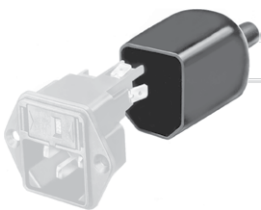
Most Popular.

Availability for all products can be searched real-time: <http://www.schurter.com/en/Stock-Check/Stock-Check-SCHURTER>

**Packaging unit** 50 Pcs

### Accessories

#### Description



Assorted Covers  
Rear Cover

### Mating Outlets/Connectors

#### Category / Description



#### Appliance Outlet Overview complete

IEC Appliance Outlet F, Screw-on Mounting, Front Side, Solder Terminal	4787
IEC Appliance Outlet F, Snap-in Mounting, Front Side, Solder or Quick-connect Terminal	4788
IEC Appliance Outlet F or H, Screw-on Mounting, Front Side, Solder, PCB or Quick-connect Terminal	5091

#### Appliance Outlet further types to 6010



Connector Overview complete

IEC Connector C13, Rewireable, Straight	4782
IEC Connector C13, Rewireable, Straight	4022
IEC Connector C13, Rewireable, Angled	4785
IEC Connector C13, Rewireable, Angled	4300-06
IEC Connector C13, Rewireable, Angled	4012
Connector further types to 6010	...

Mating Outlets/Connectors shuttered



Power Cord Overview complete

Overview Power Supply Cord with IEC Connector C13, V-Lock, straight	VAC13KS
Power Cord further types to 6010	