
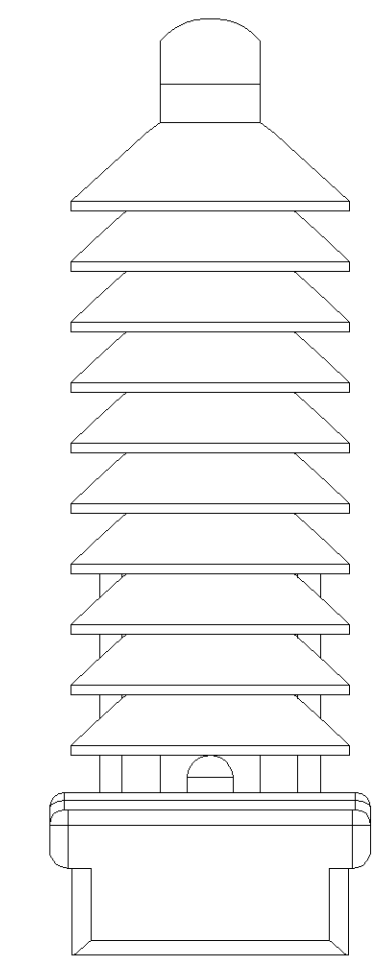
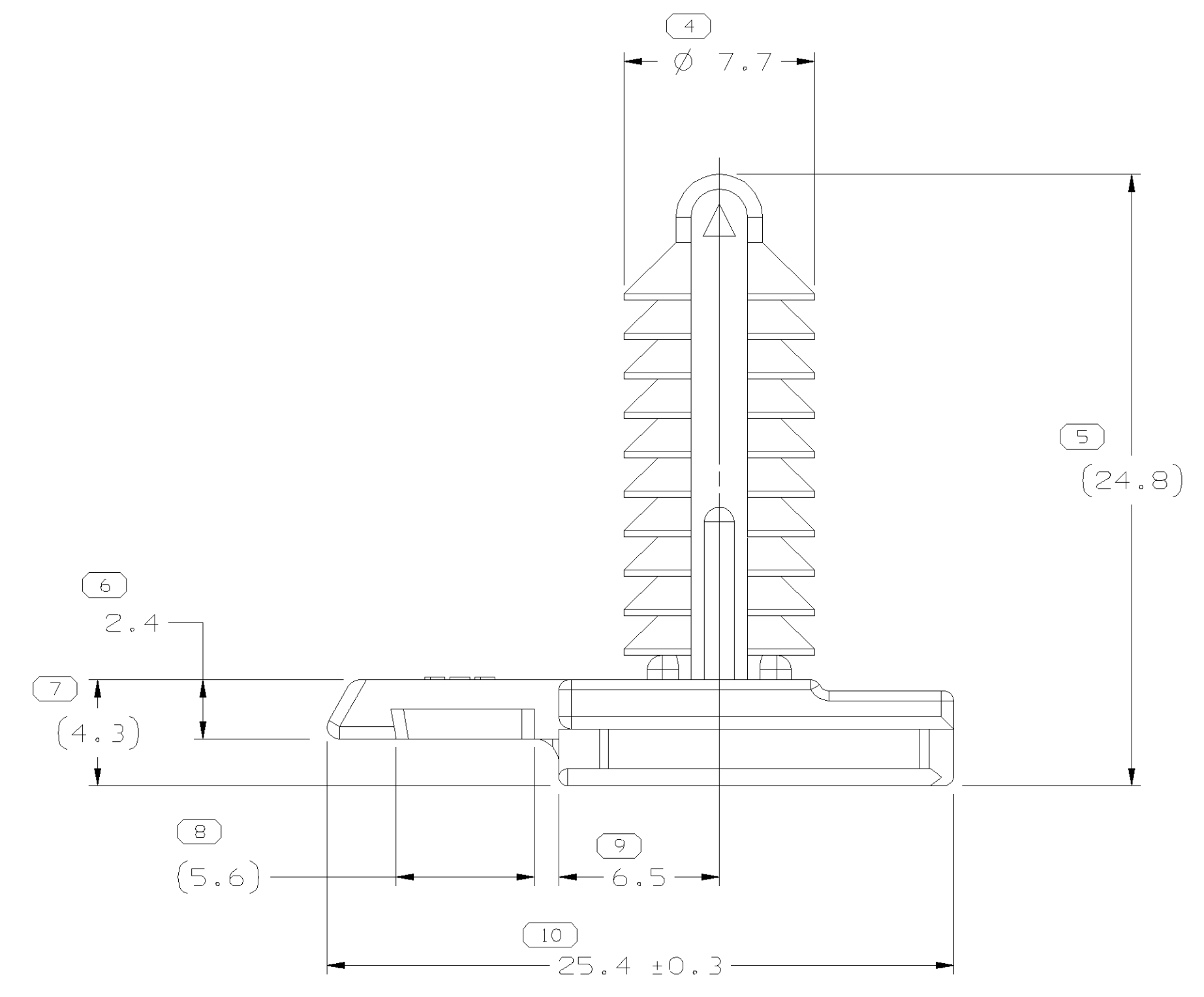
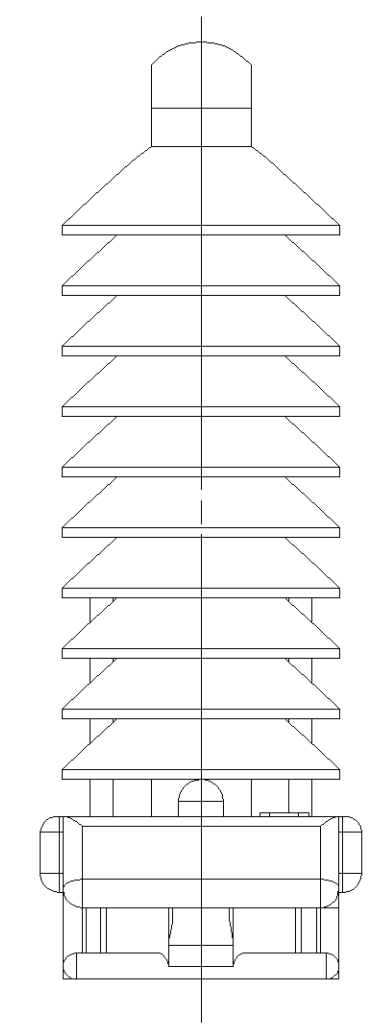
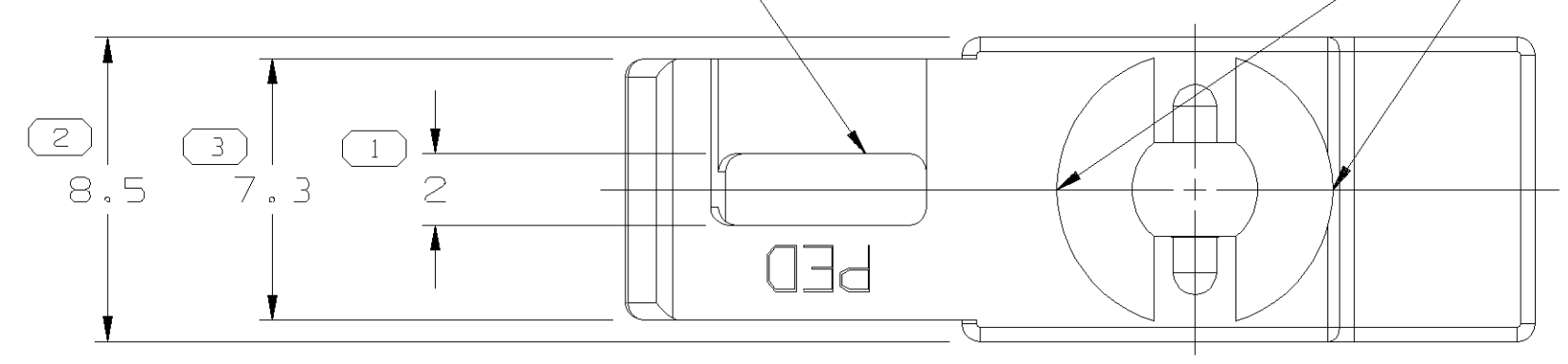


SYMBOL DEFINITION		MISSING NUMBERS	
A DIMENSION WITHOUT AN INSPECTION REPORT SYMBOL  DOES NOT REQUIRE INSPECTION. IT MAY BE CONTROLLED ON AN INDIVIDUAL COMPONENT DRAWING.	TOTAL NO. OF SYMBOLS ON DRAWING	10	
	LAST NO. USED	10	

DWG STATUS					ZONE	REVISION HISTORY	AUTH	DR	APVD 1	APVD 2
DATE	STG	REV	N/P	CHG						
26JA05	R	01	-	-		13521043 - RELEASED; 12186353 WAS SEPARATE DRAWING	263880	GPS	JAA	PYP
04AP05	R	02	-	-		12186353 - ADDED FLASH NOTE	266085	CCV	JAA	TP
05AU05	R	03	-	-		REMOVED THE TYPE 101 & 102 DESIGNATION	270644	CCV	JAA	TP

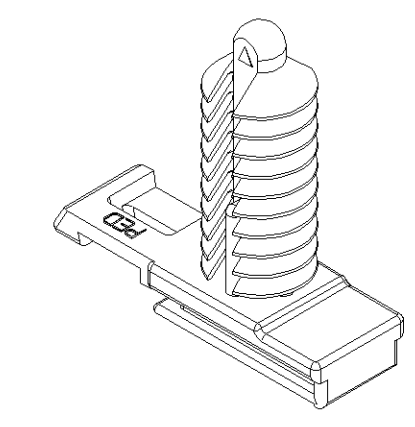
0.5 MAX FLASH POSSIBLE ON ANY SIDE OF LOCK RAMP WINDOW

0.1 MM FLASH PERMISSIBLE ON PARTING LINE OF FIR-TREE



NOTES

- UNLESS OTHERWISE SPECIFIED AND/OR INDICATED:  
DIMENSIONS ARE TO FACE OF VIEW SHOWN AND AUTOMATICALLY ROUNDED BY COMPUTER FOR INSPECTION (SEE MATH MODEL FOR PRECISE DIMENSIONS). FOR ALL OTHER DIMENSIONS NOT SHOWN BUT REQUIRED FOR TOOL BUILD, SEE MATH MODEL FOR PRECISE TOOL PATH DATA.
- MATERIAL RECYCLING CODE PER ISO 11469. (1.3)X(0.1) CHARACTERS AS SHOWN TO BE LOCATED ON ANY EXTERIOR SURFACE. OPTIONAL CONSTRUCTION TO BE NO MATERIAL RECYCLING CODE.
- (1.3)X(0.1) DELPHI CORPORATE BRAND TO BE LOCATED ON ANY EXTERIOR SURFACE, PREFERABLY VISIBLE AT FINAL ASSEMBLY. OPTIONAL CONSTRUCTION TO BE "PED" OR NO LOGO.
- RECOMMENDED HOLE SIZE  $\varnothing 6.35 + 0.65 / - 0.1$  IN 11 MAX. THICK STOCK.
- THIS PART DOES NOT FALL IN TO THE CATEGORY OF AN APPEARANCE ITEM. MINOR SURFACE IMPERFECTIONS SUCH AS FLOW LINES, EJECTOR PIN MARKS, KNIT LINES, WELD MARKS AND GATE MARKINGS ARE PERMITTED.



VIEW SCALE DOES NOT REFLECT ACTUAL PART SIZE


PART NO	REV	N/P	STATUS	MATERIAL SPECIFICATION AND COLOR	VOLUME (CM <sup>3</sup> )
13521043	01	AA	-	M3592012 PA66 HS IM GRA LT	0.871
12186353	A8	-	-	M3592001 PA66 HS IM BLK	0.871

DIMENSIONAL RANGE (MM)		CHART E1	
FROM	TO	>	>
> 0	> 20	> 20	> 30
> 20	> 30	> 30	> 70
> 30	> 70	> 70	> 100
> 70	> 100	> 100	> 150
> 100	> 150	> 150	> 200
> 150	> 200	> 200	> 250
> 200	> 250	> 250	> 300
> 250	> 300	> 300	> 400

TOLERANCE UNLESS OTHERWISE SPECIFIED

±0.15	±0.2	±0.3	±0.4	±0.5	±0.6	±0.8	±1	±1.2
-------	------	------	------	------	------	------	----	------

ANGULAR TOLERANCE ±2°

DWG TYPE		PART DRAWING	
STYLE			
VOLUME (CM <sup>3</sup> )	SEE CHART	DISTR CODE	D
UNLESS OTHERWISE SPECIFIED			
THIS DOCUMENT IS IN ACCORDANCE WITH ASME Y14.5M-1994 AS AMENDED BY THE GM GLOBAL DIMENSIONING AND TOLERANCING ADDENDUM-2001. SEPARATE PATTERNS OF FEATURES MAY BE GAGED SEPARATELY REGARDLESS OF DATUM REFERENCES.			
ALL DIMENSIONS ARE IN MILLIMETERS			
REFERENCE		12110341	
THIRD ANGLE PROJECTION	DO NOT SCALE		

<b>DELPHI</b>			
DELPHI PACKARD ELECTRIC SYSTEMS WARREN, OH			
DR		DATE	
APVD1	PATRICIA SANCHEZ	27JA05	
APVD2	J.S. ALVARADO	27JA05	
APVD3	PEDRO YABUR	28JA05	
APVD4			
APVD5			
SUBSTANCES OF CONCERN AND RECYCLED CONTENT PER DELPHI 10949001			
MATERIAL SEE CHART			
DRAWING NAME			
TAXI MOUN CLIP CONN NAIL			
DRAWING NUMBER			
13521044			
SIZE	SCALE	FRAME NO	SHEET NO
A1	5:1	1 OF 1	1 OF 1
STG	REV	N/P	
R	03	-	